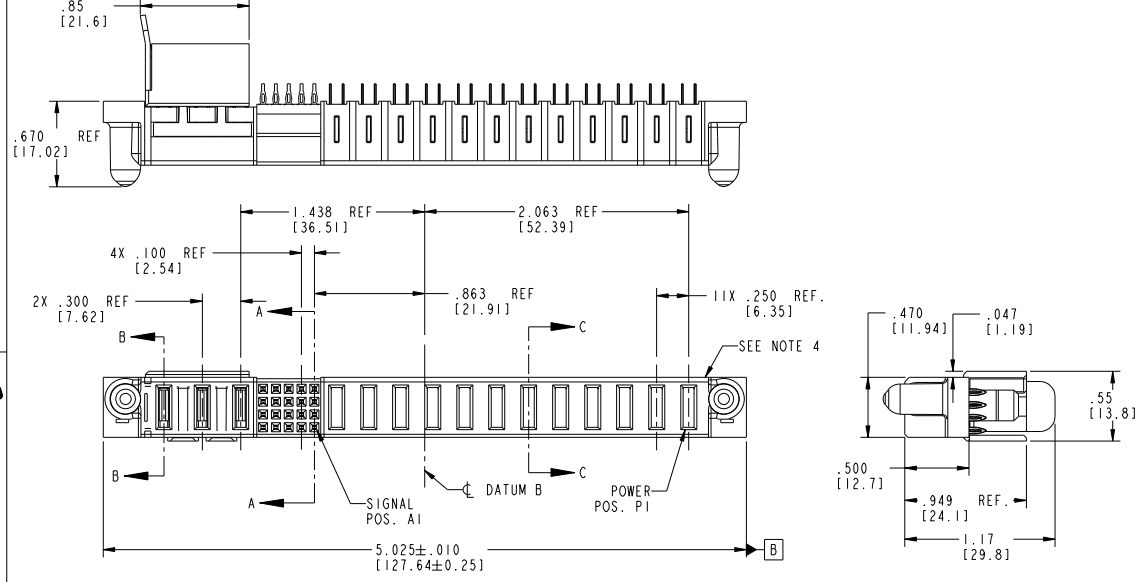


Tous droits strictement réservés. Reproduction ou communication à des tiers interdite sans autorisation écrite du propriétaire. Property of FCJ. Droit de reproduction FCJ.



All rights strictly reserved. Reproduction or issue to third parties in any form or by any means without written authority from the proprietor. Property of FCJ. Copyright FCJ.

PRODUCT NO.	ROWS	POWER			SIGNAL			POWER										
		E2	P15	P14	P13	P12	P11	P10	P9	P8	P7	P6	P5	P4	P3	P2	P1	E1
51897-007 NOTE: ③	D C B A	PH	PH	PG	PF	PF	PF	PF	PF	PF	PF	PF	PF	PF	PF	PF	PF	PF



CODE	DIM "M" MATING LENGTH	CONTACT TYPE
F	N/A [N/A]	SIGNAL
PF	.092 [2.34]	POWER
PG	.042 [1.07]	POWER
PH	.092 [2.34]	POWER

mal'1 code		SEE NOTE 2		tolerances unless otherwise specified		CUSTOMER		FCJ		www.fcjconnect.com	
lir	ecn no.	dr	date	linear	.1X±.01/0.1±0.3	projection	COPY	title	12P + 20S + 3ACP VERT PRESS FIT RECEPT CABLE PORT		
A	V03-1207	TAB	11/11/03	angles	.11X±.005/0.11±0.13	INCH/MM	→	product family	PwrBlade		code
B	D605-0200	SJ	07/04/05		.11X±.007/0.11X±0.051	scale	1:1	size	dwg no	51897-007	213
C	D605-0210	SJ	07/05/05		0°±.2°			sheet			1 of 5
D	D606-0381	HEAVEN	09/12/06	dr	M. MOSTOLLER	8/1/03		code			
				engr	M. MOSTOLLER	8/1/03					
				chr	M. BRENBAKER	8/1/03					
				appd	M. MOSTOLLER	8/1/03					
sheet index	revision sheet	D	D	D	D	D					
		1	2	3	4	5					

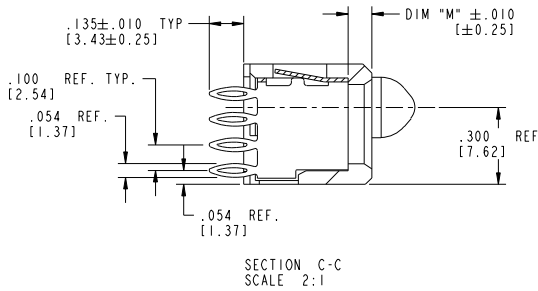
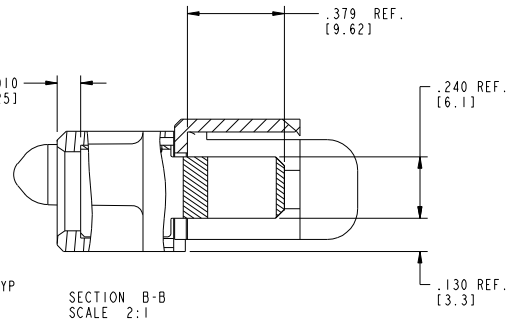
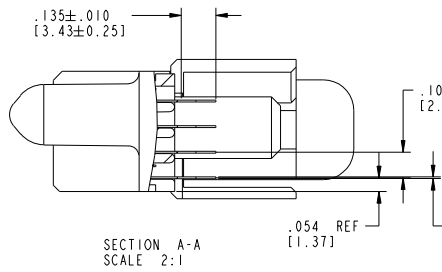
Pro/E 3 cage code 22526 4

Tous droits strictement réservés. Reproduction ou communication à des tiers interdite sans autorisation écrite du propriétaire. Property of FCJ. Droit de reproduction FCJ.



All rights strictly reserved. Reproduction or issue to third parties in any form or by any means without written authority from the proprietor. Property of FCJ. Copyright FCJ.

PRODUCT NUMBER
51897-007--
NOTE: ③



mal'1 code		SEE NOTE 2		tolerances unless otherwise specified		CUSTOMER		FCJ		www.fcjconnect.com	
lfr	ecn no.	dr	date	linear	.XX±.01/0.1±0.3	projection	COPY	title	12P + 20S + 3ACP		
D				angles	.XXX±.005/0.1X±0.13			VERT PRESS FIT RECEPT CABLE PORT			
				dr	M. MOSTOLLER 8/11/03			product family	PwrBlode		code
				engr	M. MOSTOLLER 8/11/03			size	dwg no	213	
				chr	H. BRENNER 8/11/03			scale	51897-007	sheet	
				appd	M. MOSTOLLER 8/11/03			1:1	A	2 of 5	
sheet index	revision sheet										

Pro/E

cage code 22526

PDM: Rev:D

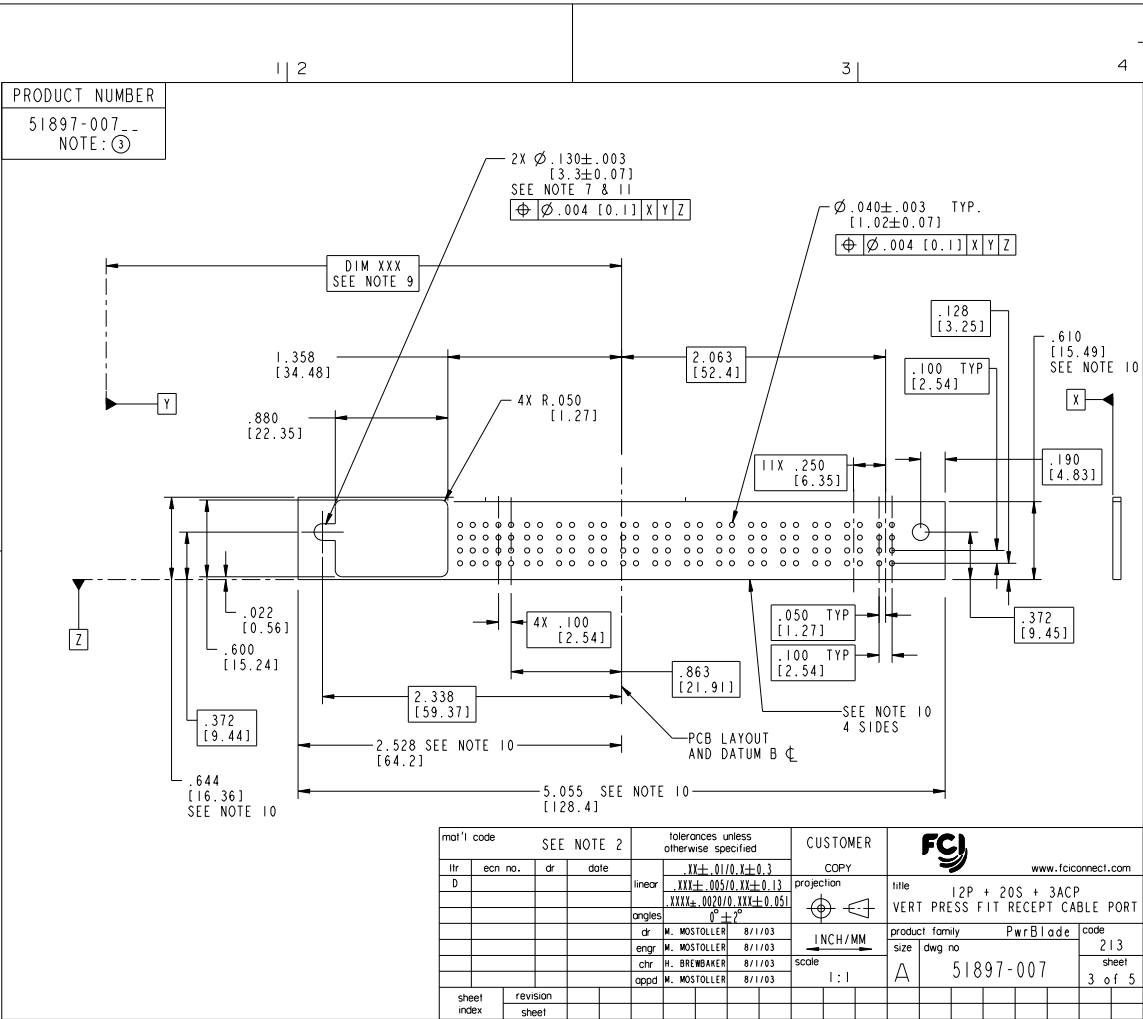
STATUS:Released

Printed: Dec 20, 2010

Tous droits strictement réservés. Reproduction ou communication à des tiers interdite sans autorisation écrite du propriétaire. Property of FCJ. Droits de reproduction FCJ.



All rights strictly reserved. Reproduction or issue to third parties in any form or by any means without written authority from the proprietor. Property of FCJ. Copyright FCJ.



mal't code		SEE NOTE 2		tolerances unless otherwise specified		CUSTOMER		FCJ		www.fcjconnect.com	
lfr	ecm no.	dr	date	linear	.XX±.01/0.1±0.3	projection	COPY	title 12P + 20S + 3ACP			
D				angles	.XXX±.005/0.11±0.13			VERT PRESS FIT RECEPT CABLE PORT			
				dr	.XXX±.002/0.11±0.051			product family		PwrBlode	code
				enr	°±			size		dwg no	213
				chr	M. MOSTOLLER 8/11/03			scale		51897-007	3 of 5
				appd	M. BRENBAKER 8/11/03			A			
sheet index	revision sheet										

Pro/E 3 coge code 22526 4

Tous droits strictement réservés. Reproduction ou communication à des tiers interdite sans autorisation écrite du propriétaire.
 Property of FCJ. Drawn by reproduction FCJ.



All rights strictly reserved. Reproduction or issue to third parties in any form or by any means without written authority from the proprietor.
 Property of FCJ. Copyright FCJ.

PRODUCT NUMBER
 51897-007--
 NOTE: ③

NOTES:

1. DIMENSIONS AND TOLERANCES ARE IN ACCORDANCE WITH ASME Y14.5M, 1994 UNLESS OTHERWISE SPECIFIED.

CONNECTOR NOTES:

2. HOUSING MATERIAL: UL 94 V-0 GLASS FILLED HIGH-TEMP THERMOPLASTIC
 POWER CONTACT MATERIAL: COPPER ALLOY
 SIGNAL PIN MATERIAL: COPPER ALLOY

③ PLATING SPEC: 51897-007;51897-007LF;51897-007GLF PLATING SPEC. WAS SHOWN IN THE PRINT OF 10064183

4. MANUFACTURER'S NAME, P/N, AND DATE CODE TO APPEAR ON THIS SURFACE.

5. PRODUCT SPECIFICATION GS-12-149.
 APPLICATION SPECIFICATION BUS-20-067.

PCB NOTES:

6. ALL HOLE DIAMETERS ARE FINISHED HOLE SIZE.

7. MOUNTING HOLES, WHERE APPLICABLE, ARE UNPLATED.

8. $\varnothing .0453 \pm .0010$ [1.151 ± 0.025] DRILLED HOLES PLATED WITH .0003 [0.008] MIN SnPb OR SN OVER .001 [0.03] TO .003 [0.08] Cu PLATING TO ACHIEVE $\varnothing .040 \pm .003$ [1.02 ± .07] HOLE.

9. "DIM XXX" TO BE DETERMINED BY THE CUSTOMER.

10. CONNECTOR KEEP-OUT ZONE.

11. RECOMMENDED RETENTION TO PCB $\varnothing .1313$ [3.3] THRU HOLE FOR #5 SOCKET HEAD CAP SCREW MAX. HEAD .20515 [5.21] RECOMMENDED SCREW LENGTH 12mm [1.472] + PCB THICKNESS. RECOMMENDED SCREW SEATING TO PCB TORQUE: 2-5 lbf-in (2300-5760 gf-cm).

mat'l code				SEE NOTE 2		tolerances unless otherwise specified		CUSTOMER		FCJ	
lfr	ecm no.	dr	date	linear	angles	projection	scale	product family	code	www.fcjconnect.com	
D				.11 ± .01 / 0.X ± 0.3		⊕	1:1	12P + 20S + 3ACP			
				.111 ± .005 / 0.X1 ± 0.13		⊕		VERT PRESS FIT RECEPT CABLE PORT			
				.111 ± .002 / 0.X1 ± 0.051		⊕		PwrBlode	213		
				0 ± .7		INCH/MM		51897-007	4 of 5		
				dr M. MOSTOLLER 8/11/03							
				engr M. MOSTOLLER 8/11/03							
				chr H. BRENBACHER 8/11/03							
				appd M. MOSTOLLER 8/11/03							
sheet index		revision sheet									

Pro/E

cage code 22526

PDM: Rev:D

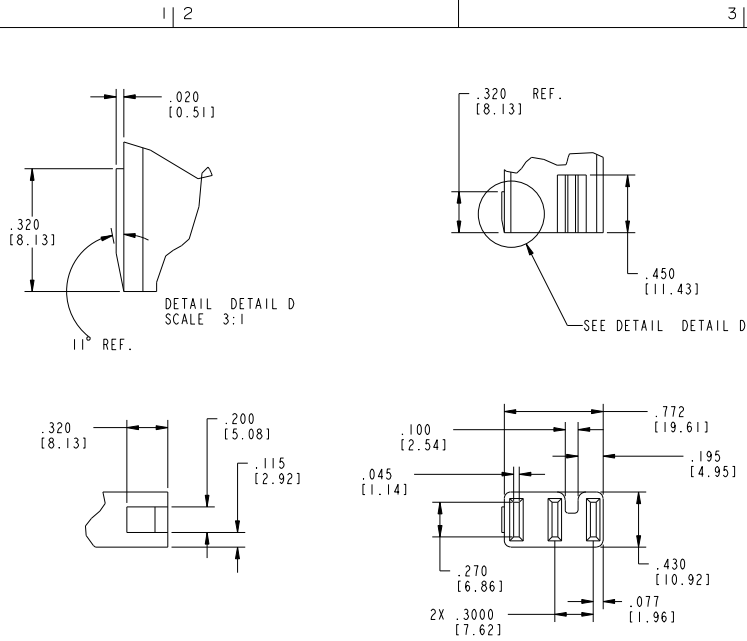
STATUS:Released

Printed: Dec 20, 2010

Tous droits strictement réservés. Reproduction ou communication o des tiers interdite sans autorisation écrite du propriétaire. Property of FCJ. Droit de reproduction FCJ.



All rights strictly reserved. Reproduction or issue to third parties in any form or by any means without written authority from the proprietor. Property of FCJ. Copyright FCJ.



MATING CABLE PLUG (FOR REFERENCE ONLY)

mat'l code		SEE NOTE 2		tolerances unless otherwise specified		CUSTOMER		FCJ	
lfr	ecn no.	dr	date	linear	angles	projection	COPY	title	www.fcjconnect.com
				.XX±.01/0.X±0.3		⊕		12P + 20S + 3ACP	
				.XXX±.005/0.XX±0.13				VERT PRESS FIT RECEPT CABLE PORT	
				.XXX±.002/0.XX±0.051	0°-2°			PwrBlode	code 213
				dr M. MOSTOLLER 8/1/03		INCH/MM		size	sheet 5 of 5
				enrg M. MOSTOLLER 8/1/03		scale		dwg no 51897-007	
				chr H. BRENBACHER 8/1/03		1:1			
				appd M. MOSTOLLER 8/1/03					
sheet index	revision sheet								

Pro/E

cage code 22526

PDM: Rev:D

STATUS:Released

Printed: Dec 20, 2010