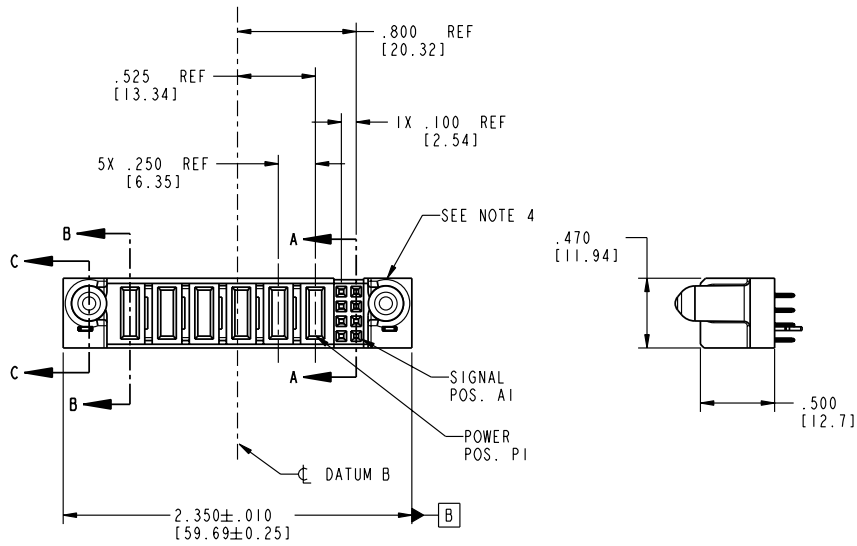


Tous droits strictement réservés. Reproduction ou communication o des tiers interdite sans autorisation écrite du propriétaire. Property of FCI. Droits de reproduction FCI.

All rights strictly reserved. Reproduction or issue to third parties in any form is not permitted without written authority from the proprietor. Property of FCI. Copyright FCI.

PRODUCT NO.	ROWS	POWER								SIG	
		E2	P6	P5	P4	P3	P2	P1	z	1	E1
51751-006	D C B A										



CODE	DIM "M" MATING LENGTH	CONTACT TYPE
E	N/A [N/A]	SIGNAL
PA	.042 [1.07]	POWER
PD	.092 [2.34]	POWER
HA	N/A [N/A]	HOLD-DOWN

mat'l code		SEE NOTE 2	tolerances unless otherwise specified		CUSTOMER	www.fciconnect.com
lfr	ecn no.	dr	date	linear	COPY	
A	V21778	CGD	11/14/02	.XX±.01/0.XX±0.3	projection	title
				.XXX±.005/0.XX±0.13		8S + 6P
				angles	INCH/MM	VERTICAL SOLDER RECEPT
				dr	scale	product family
				c. DAILY	1:1	PwrBlade
				enr		code
				M. MOSTOLLER		213
				chr		size
				M. MOSTOLLER		dwg no
				oppd		A 51751-006
				M. MOSTOLLER		sheet
				11/14/02		1 of 4
sheet index	revision sheet	A	A	A	A	
		1	2	3	4	

Pro/E

cage code 22526

PDM: Rev:A

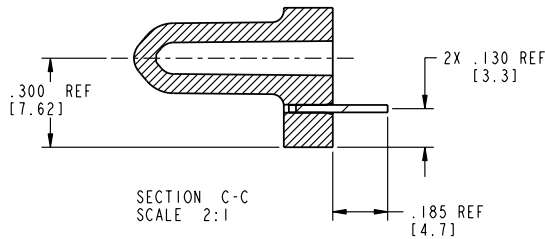
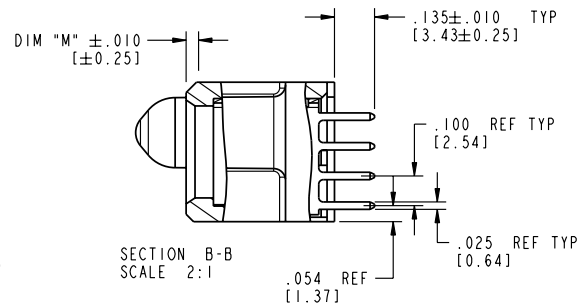
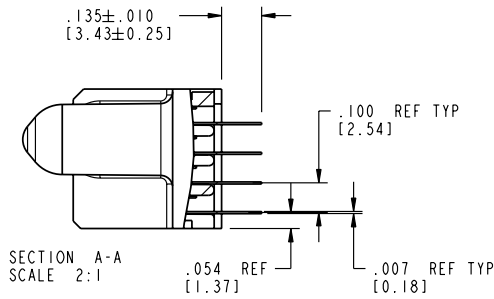
STATUS: Released

Printed: Oct 08, 2006

Tous droits strictement réservés. Reproduction ou communication à des tiers interdite sans autorisation écrite du propriétaire. Property of FCI. Droits de reproduction FCI.

All rights strictly reserved. Reproduction or issue to third parties in any form is not permitted without written authority from the proprietor. Property of FCI. Copyright FCI.

PRODUCT NUMBER
51751-006



mat'l code		SEE NOTE 2	tolerances unless otherwise specified		CUSTOMER	www.fciconnect.com
lfr	ecm no.	dr	date	linear	COPY	
A				.XX ± .01 / 0.XX ± 0.3	projection	title
				.XXX ± .0020 / 0.XXX ± 0.051		8S + 6P
				angles		INCH/MM
				dr	scale	product family
				engr	1:1	PwrBlade
				chr		size
				appd		dwg no
						A 51751-006
sheet index	revision sheet					code
						213
						sheet 2 of 4

Pro/E

cage code 22526

PDM: Rev:A

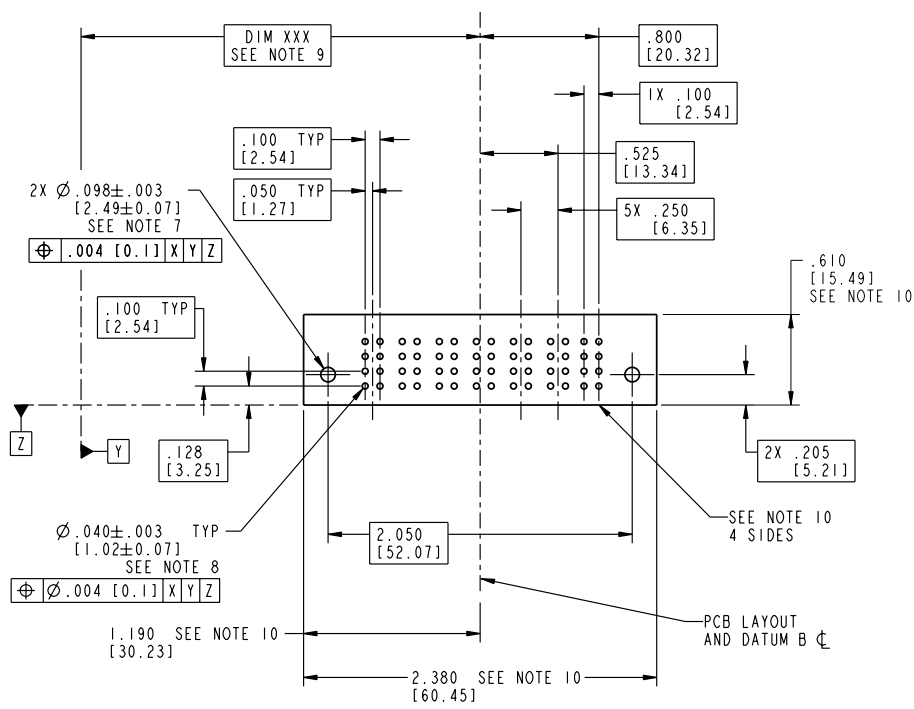
STATUS: Released

Printed: Oct 08, 2006

Tous droits strictement réservés. Reproduction ou communication à des tiers interdite sans autorisation écrite du propriétaire. Property of FCI. Droits de reproduction FCI.

All rights strictly reserved. Reproduction or issue to third parties in any form is not permitted without written authority from the proprietor. Property of FCI. Copyright FCI.

PRODUCT NUMBER
51751-006



mat'l code		SEE NOTE 2	tolerances unless otherwise specified		CUSTOMER	www.fciconnect.com
lfr	ecn no.	dr	date	linear	COPY	
A				XXX±.01/0.XX±0.3	projection	title
				XXX±.005/0.XX±0.13		8S + 6P
				XXXX±.0020/0.XXX±0.051		VERTICAL SOLDER RECEPT
				angles	INCH/MM	product family
				0°±7°		PwrBlade
				dr	scale	code
				C. DAILY 11/14/02	1:1	213
				enrg M. MOSTOLLER 11/14/02	size	sheet
				chr M. MOSTOLLER 11/14/02	A	3 of 4
				appd M. MOSTOLLER 11/14/02	dwg no	
					51751-006	
sheet index	revision sheet				cage code	
					22526	

Pro/E 3 cage code 22526 4
PDM: Rev:A STATUS:Released Printed: Oct 08, 2006

Tous droits strictement réservés. Reproduction ou communication o des tiers interdite sans autorisation écrite du propriétaire. Property of FCI. © Copyright FCI.

FCI

All rights strictly reserved. Reproduction or issue to third parties in any form is not permitted without written authority from the proprietor. Property of FCI. © Copyright FCI.


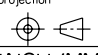
PRODUCT NUMBER
51751-006

NOTES:

1. DIMENSIONS AND TOLERANCES ARE IN ACCORDANCE WITH ASME Y14.5M, 1994 UNLESS OTHERWISE SPECIFIED.

CONNECTOR NOTES:

- 2 HOUSING MATERIAL: UL 94 V-0 GLASS FILLED HIGH-TEMP THERMOPLASTIC
POWER CONTACT MATERIAL: COPPER ALLOY
SIGNAL PIN MATERIAL: COPPER ALLOY
 - 3. PLATING:
SIGNAL PINS: 30u"/0.76um Au OVER 50u"/1.27um Ni
POWER CONTACTS: 50u"/1.27um Ni UNDER ALL WITH 30u"/0.76um Au ON CONTACT AREA AND SnPb ON PCB INTERFACE
 - 4 MANUFACTURER'S NAME, P/N, AND DATE CODE TO APPEAR ON THIS SURFACE.
 - 5. PRODUCT SPECIFICATION GS-12-149.
APPLICATION SPECIFICATION BUS-20-067.
- PCB NOTES:
- 6. ALL HOLE DIAMETERS ARE FINISHED HOLE SIZE.
 - 7. MOUNTING HOLES, WHERE APPLICABLE, ARE UNPLATED.
 - 8 $\varnothing .0453 \pm .0010$ [1.151 ± 0.025] DRILLED HOLES PLATED WITH .0003 [0.008] MIN SnPb OVER .001 [0.03] TO .003 [0.08] Cu PLATING TO ACHIEVE $\varnothing .040 \pm .003$ [1.02 ± .07] HOLE.
 - 9 "DIM XXX" TO BE DETERMINED BY THE CUSTOMER.
 - 10 CONNECTOR KEEP-OUT ZONE.

mat'l code		SEE NOTE 2		tolerances unless otherwise specified		CUSTOMER		 www.fciconnect.com	
lfr	ecn no.	dr	date	linear	.XX±.01/0.XX±0.3	projection	COPY	title	8S + 6P
A				linear	.XXX±.005/0.XX±0.13			VERTICAL SOLDER RECEPT	
				angles	.XXX±.0020/0.XXX±0.051	$0^\circ \pm 7^\circ$	INCH/MM	product family	PwrBlade
				dr	C. DAILY 11/14/02	scale	1:1	size	A
				enrg	M. MOSTOLLER 11/14/02			dwg no	51751-006
				chr	M. MOSTOLLER 11/14/02			code	213
				appd	M. MOSTOLLER 11/14/02			sheet	4 of 4
sheet index	revision sheet							cage code	22526

Pro/E 3 cage code 22526 4

PDM: Rev:A STATUS:Released Printed: Oct 08, 2006