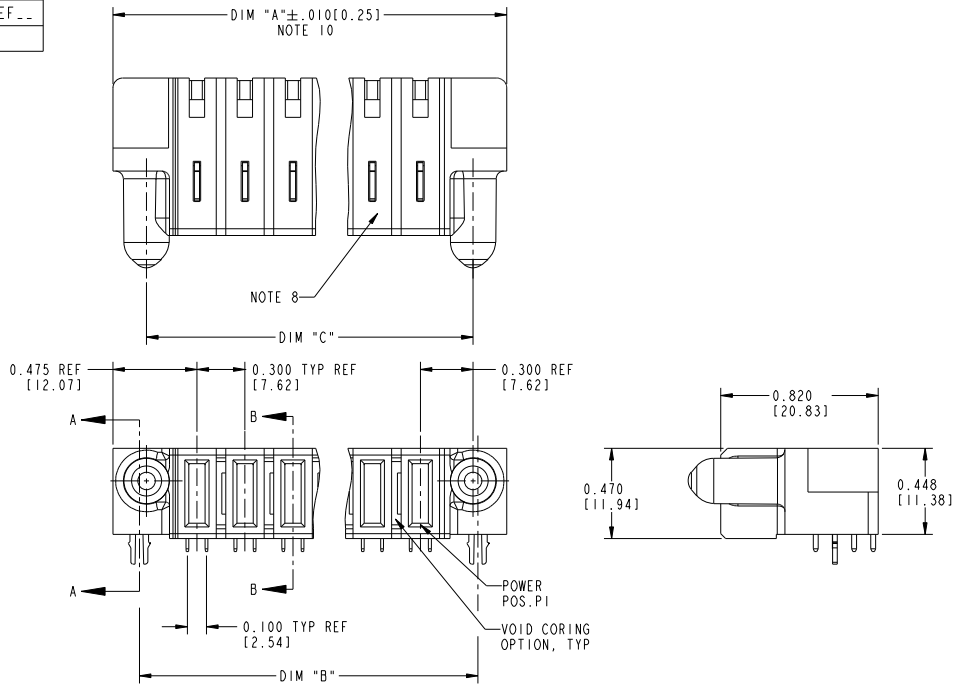


Tous droits strictement réservés. Reproduction ou communication o des tiers interdite sans autorisation écrite du propriétaire. Property of FCJ. Droits de reproduction FCJ.



All rights strictly reserved. Reproduction or issue to third parties in any form or by any means without written authority from the proprietor. Property of FCJ. Copyright FCJ.

PRODUCT NUMBER  
51820-ABB00000EF\_..  
SEE NOTE 1



mal't code		SEE NOTE 2		tolerances unless otherwise specified		CUSTOMER		FCJ		www.fcjconnect.com	
ltr	ecn no.	dr	date	linear	angles	projection	COPY		title		
A	V02363	EKK	09-28-00	.XX±.01/0.X±0.3		1st angle	R/A RECEPTACLE w/GUIDE PIN		.300 [7.62] POWER SPACING		
B	V21515	TAB	10-08-02	.XXX±.005/0.XX±0.13			product family		PwrBlode		
C	DG07-0047	RYAN	02/01/07	.XXX±.002/0.XX±.051			size		dwg no		
D	DG08-0239	JC	09/11/08	0°±7°			scale		code		
				eng	chr	appd	3:2		213		
				E. KORFF	J. BROWN	J. BROWN	A		1 of 3		
				J. BROWN	J. BROWN	J. BROWN					
sheet index	revision sheet	D	D	D							
		1	2	3							

Pro/E

cage code 22526

Tous droits strictement réservés. Reproduction ou communication à des tiers interdite sans autorisation écrite du propriétaire. Property of FCJ. Droit de reproduction FCJ.

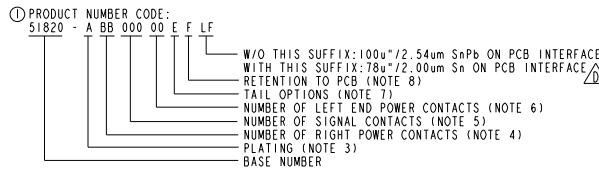


All rights strictly reserved. Reproduction or issue to third parties in any form or by any means without written authority from the proprietor. Property of FCJ. Copyright FCJ.

PRODUCT NUMBER
51820-ABB0000EF--
SEE NOTE 1

DIM	LENGTH FORMULAS (SEE NOTE 10)
DIM "A"	.300 [7.62] x BB + .650 [16.51] (NOTE 10)
DIM "B"	.300 [7.62] x BB + .350 [8.89]
DIM "C"	.300 [7.62] x BB + .300 [7.62]
DIM "F"	.300 [7.62] x BB + .680 [17.27]

CONNECTOR NOTES



- ② HOUSING MATERIAL: GLASS FILLED V-0 HIGH TEMP THERMO PLASTIC.  
SIGNAL CONTACT MATERIAL: COPPER ALLOY  
POWER CONTACT MATERIAL: COPPER ALLOY
- ③ PLATING OPTION:  
I = SEE PRINT 10064183 FOR PLATING SPEC OF 51763-1BB00000EF; 51763-1BB00000EFL
- ④ RIGHT END POWER CONTACTS, 01 TO 20 AVAILABLE.
- ⑤ THIS PART NOT AVAILABLE WITH SIGNAL CONTACTS.
- ⑥ THIS PART NOT AVAILABLE WITH LEFT END POWER CONTACTS.
- ⑦ TAIL OPTIONS:  
A = .135 ± .010 [3.43 ± .25] SOLDER TO BOARD  
B = .090 ± .005 / -.010 [2.29 ± 0.13 / -.25] SOLDER TO BOARD  
C = .154 ± .010 [3.91 ± .25] PRESS-FIT TO BOARD

- ⑧ RETENTION TO PCB OPTIONS:  
A = BOARD LOCK (REQUIRES .098 ± .002 / -.001 [2.49 ± 0.05 / -0.03] THRU HOLE IN PCB MOUNTING FOOT HEIGHT: .220 [5.59])  
B = .150 [3.81] THRU HOLE (REQUIRES .158 ± 0.003 [4.01 ± 0.08] THRU HOLE IN PCB). MOUNTING FOOT HEIGHT: .160 [4.06]
- ⑨ MANUFACTURE'S NAME, P/N, AND DATE CODE TO APPEAR ON THIS SURFACE.
- ⑩ THE MAXIMUM OVERALL LENGTH (DIM A) OF A PART IS 8.00 [203.2]
- 11. PRODUCT SPECIFICATION GS-12-149  
APPLICATION SPECIFICATION BUS-20-067
- 12. REFERENCE 51699 FOR SPECIALS WORKSHEET

- PCB NOTES:
- 13. ALL DIMENSIONS ARE BASIC UNLESS OTHERWISE SPECIFIED.
  - 14. ALL THROUGH HOLES ARE LOCATED WITH A TRUE POSITION OF .004 [0.10]
  - 15. ALL HOLE DIAMETERS ARE FINISHED HOLE SIZE.
  - 16. Ø.0453 ± .001 [1.151 ± 0.02] DRILLED HOLES PLATED WITH 0.0003 [0.007] MIN SnPb OR Sn OVER 0.001 [1.03] TO .003 [0.08] PLATING TO ACHIEVE A .040 ± .003 [1.02 ± 0.08] HOLE.
  - 17. A Δ SYMBOL WILL BE NEXT TO ANY DIMENSION, VIEW, OR NOTE WHICH HAS BEEN MODIFIED WITH THE CURRENT DRAWING REVISION.

mal'l code		SEE NOTE 2	tolerances unless otherwise specified	CUSTOMER	FCJ	www.fcjconnect.com
ltr	ecm no.	dr	date	COPY	title R/A RECEPTACLE w/GUIDE PIN .300 [7.62] POWER SPACING	
D				projection	product family PWRBLADE code 213	
				INCH/MM	size	sheet 2
				scale 3:2	dwg no 51820	
sheet index	revision sheet					

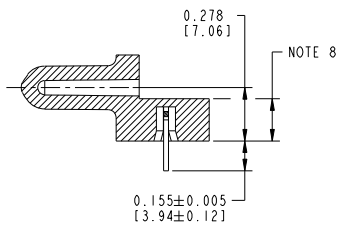
1 | 2 Pro/E 3 | 4 code code 22526

Tous droits strictement réservés. Reproduction ou communication à des tiers interdite sans autorisation écrite du propriétaire. Property of FCJ. Droit de reproduction FCJ.

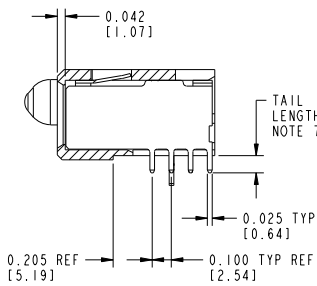


All rights strictly reserved. Reproduction or issue to third parties in any form or by any means without written authority from the proprietor. Property of FCJ. Copyright FCJ.

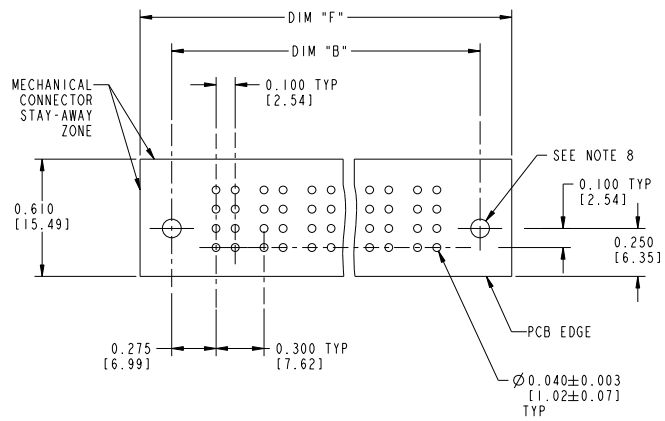
PRODUCT NUMBER  
51820-ABB00000EF\_..  
SEE NOTE 1



SECTION A-A



SECTION B-B



RECOMMENDED PCB LAYOUT

mal'l code		SEE NOTE 2		tolerances unless otherwise specified		CUSTOMER		FCJ		www.fcjconnect.com	
lfr	ecm no.	dr	date	linear	.XX±.01/0.1±0.3	projection	COPY	title R/A RECEPTACLE w/GUIDE PIN .300[7.62] POWER SPACING			
D				angles	.XX±.005/0.XX±0.13 XXX±.0020/0.XX±.051	INCH/MM		product family	PWRBLADE	code	213
				dr	E. KORFF 09-28-00	scale	3:2	size		sheet	3
				engr	J. BROWN 09-28-00			dwg no	51820		
				chr	J. BROWN 09-28-00						
				appd	J. BROWN 09-28-00						
sheet index	revision sheet										

Pro/E

cage code 22526

PDM: Rev:D

STATUS:Released

Printed: Sep 18, 2008