

4

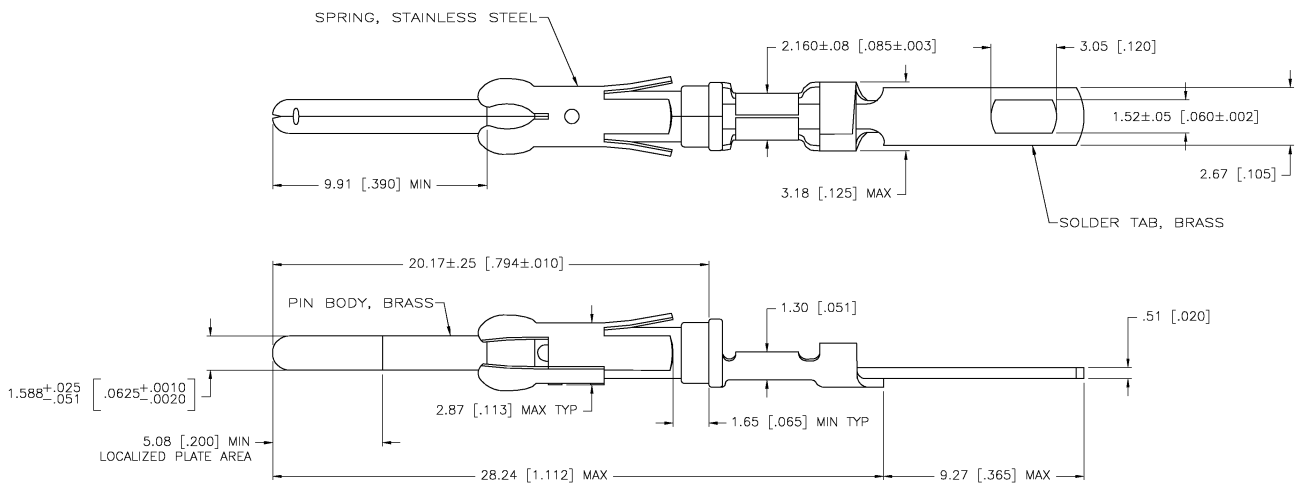
3

2

1

THIS DRAWING IS UNPUBLISHED.
 RELEASED FOR PUBLICATION
 BY TYCO ELECTRONICS CORPORATION. ALL RIGHTS RESERVED.

LOC	DIST	REVISIONS			
P	LTR	DESCRIPTION	DATE	OWN	APPD
FT	0				
T		REVISED PER 0638-0956-04	11/22/04	SS	GS



1. 1.27 μ m [.000050] MIN TIN-LEAD OVER
 1.27 μ m [.000050] MIN NICKEL.
2. 0.76 μ m [.000030] MIN GOLD IN LOCALIZED
 PLATE AREA, 0.25 μ m [.000010] MIN
 GOLD ON THE REMAINDER ALL OVER
 1.27 μ m [.000050] MIN NICKEL.
3. 2.54 μ m [.000100] MIN TIN-LEAD OVER
 1.27 μ m [.000050] MIN NICKEL.
4. 2.54 μ m [.000100] MIN TIN OVER
 1.27 μ m [.000050] MIN NICKEL.
5. 1.27 μ m [.000050] MIN TIN OVER
 1.27 μ m [.000050] MIN NICKEL.

△	SMALL PACK	△	202236-8
	STANDARD	△	202236-7
△	SMALL PACK	△	202236-6
	STANDARD	△	202236-5
	SMALL PACK	△	202236-4
	STANDARD	△	202236-3
△	STANDARD	△	202236-2
	STANDARD	△	202236-1
FINISH SOLDER TAB	PACKAGING TYPE	FINISH	PART NO

THIS DRAWING IS A CONTROLLED DOCUMENT.		DWG NO. 2782990	Tyco Electronics Corporation Horriaburg, Pa 17105-3608	
DIMENSIONS: mm (INCHES)		DRW. H. MOLL	Tyco Electronics Corporation	
TOLERANCES UNLESS OTHERWISE SPECIFIED:		CHK 1502090	Tyco Electronics Corporation	
0 P.L.C. ± .01		APPD. J. McCLINTON	Tyco Electronics Corporation	
1 P.L.C. ± .005		NAME A. BOULLIANNE	Tyco Electronics Corporation	
2 P.L.C. ± 0.13(005)		PRODUCT SPEC. 1502090	Tyco Electronics Corporation	
3 P.L.C. ± .005		APPLICATION SPEC. -	Tyco Electronics Corporation	
4 P.L.C. ± .005		HEIGHT -	Tyco Electronics Corporation	
ANGLES ± .5°		SEE DATE CODE DRAWING NO. -	Tyco Electronics Corporation	
MATERIAL: SEE CALL OUT		FINISH: PIN BODY:SEE TABLE	Tyco Electronics Corporation	
FINISH: CUSTOMER DRAWING		SCALE: 8:1	Tyco Electronics Corporation	
		SHEET 1 OF 1	Tyco Electronics Corporation	

AMP 1471-9 REV 31 MAR 2000

202236

B

A