

Receptacle Contacts

Technical Features

Material

Contact: CuNiSi
Pin Contact: Copper-Alloy
Cantilever Spring: Stainless Steel

Contact Finish:

Tin plated, silver plated,
gold plated

Conductor Binding:

Crimp Technology/
Insulation Displacement

Wire Size Range:

0.14–0.75 mm²
Single Wires (FLR)

Current Carrying Capacity:

Up to 7.5 A at 80 °C

Temperature Range:

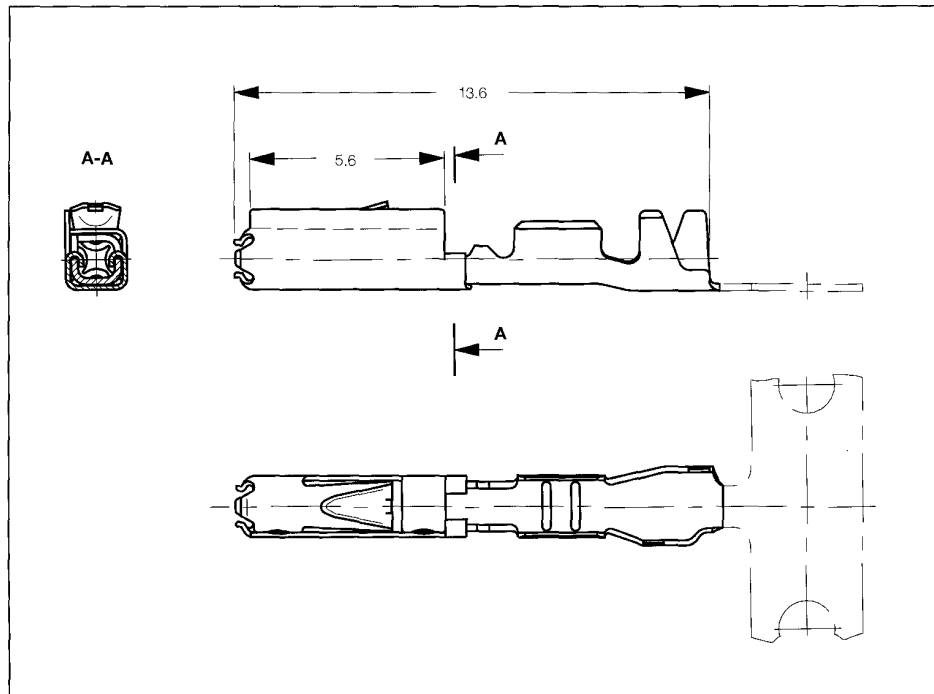
–40 °C ... +120 °C (tin plated)
–40 °C ... +130 °C (silver plated)
–40 °C ... +140 °C (gold plated)

Centerline:

2.54 x 2.54 mm Standard
4.0 x 4.0 mm SWS Standard
4.0 x 3.5 mm SWS Staggered

Mating Cycles:

20 tin plated
20 silver plated
100 gold plated



Special Applications:

Inmoldable Pin Contact,
Insulation Displacement
Receptacle Contact,
Receptacle Contact with
Short Circuit Area

Table Drawings:

929454 (Receptacle Contact)
929453 (Pin Contact)

Product Specification:

108-18030

Application Specification:

114-18021 Standard
114-18025 SWS System

Insertion and Extraction Tool:

Part No. 6-1579007-0

Standard Receptacle Contacts

Wire Size Range (mm ²)	Insulation Diameter		Material and Finish	Part Numbers				Applicator		Hand Tool 539635-1 with Die Set
	FLK (mm)	FLR (mm)		Strip Form	Package Quantity	Loose-Piece	Package Quantity	Standard	Fine Adjust	
0.14–0.22	–	0.9–1.2	tin plated	1355717-1	13,000	1355718-1	500	1426402	1528009	5-1579001-2
			gold plated	1355717-5	13,000	1355718-5	500			
0.20–0.50	–	0.9–1.6	tin plated	928999-1	13,000	963726-1	1,000	1238043*	1528035*	539682-2
			gold plated	928999-5	13,000	963726-5	1,000			
			silver plated	928999-6	13,000	963726-6	1,000			
			tin plated	963715-1	10,000	963729-1	500			
0.50–0.75	–	1.6–1.9	gold plated	963715-5	10,000	963729-5	500	1238051	1528037	3-1579001-5
			silver plated	963715-6	10,000	963729-6	500			

*) Applicator: Part No. 1426459 and 1528313 for use with 0.2 mm² wire

Single Wire Sealing System

Wire Size Range (mm ²)	Insulation Diameter		Material and Finish	Part Numbers				Applicator		Hand Tool 539635-1 with Die Set
	FLK (mm)	FLR (mm)		Strip Form	Package Quantity	Loose-Piece	Package Quantity	Standard	Fine Adjust	
0.20–0.50	–	0.9–1.6	tin plated	962885-1	9,000	963727-1	500	1426108	1528022	539685-2
			gold plated	962885-5	9,000	963727-5	500			
			silver plated	962885-6	9,000	963727-6	500			
0.50–0.75	–	1.6–1.9	tin plated	965906-1	9,000	965907-1	500	1426123	1528071	5-1579001-1
			gold plated	965906-5	9,000	965907-5	500			
			silver plated	965906-6	9,000	965907-6	500			