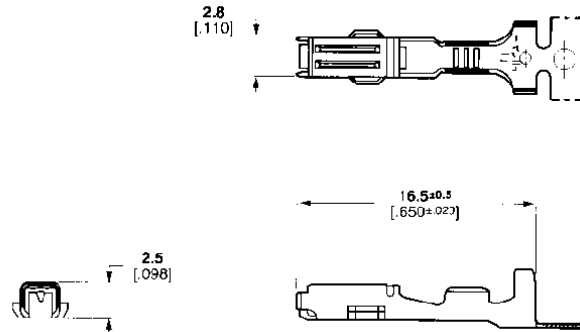


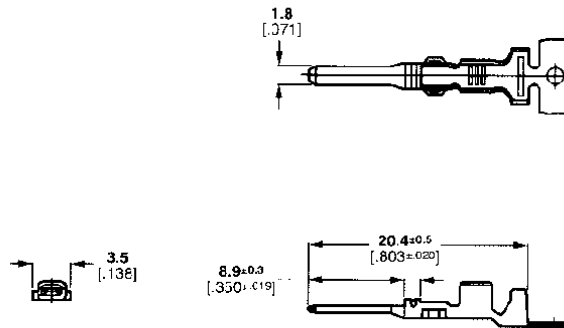
SSC (Sealed Sensor Connector) System (Continued)

Receptacles



Wire Range		Wire Ins. Dia.	Material and Finish	Part Number	Tooling	
AWG	mm ²				Applicator	Hand Tool
20-14	0.50-1.25	1.2-2.7	Phos. Bro./Pre-tin Phos. Bro./Select Gold	184030-3	680144-2	755262-1
				184030-1		
22-18	0.50-1.00	1.2-2.1	Phos. Bro./Select Gold Phos. Bro./Pre-tin	184095-1	680143-2	—
				184095-2	680143-2	

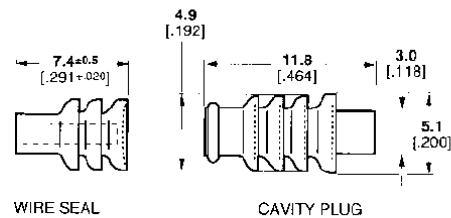
Tabs



Wire Range		Wire Ins. Dia.	Material and Finish	Part Number	Tooling	
AWG	mm ²				Applicator	Hand Tool
20-16	0.50-1.25	2.0-2.6	Brass/Pre-tin Brass/Select Gold	171661-1 171661-2	567266-2	755241-1

Wire Seal (Crimp with Contact) and

Cavity Plug (for Unloaded Cavity)



Description	Wire Insulation Diameter	Material (color)	Part Number
Wire Seal	1.2-1.7	Silicone (blue)	184139-1
	1.6-2.1	Silicone (orange)	184140-1
	2.2-2.7	Silicone (purple)	184141-1
Cavity Plug	—	NBR (black)	172748-1
		NBR (grey)	172748-2