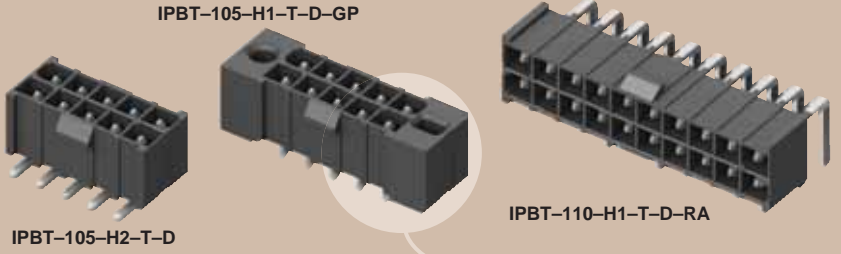




(4,19mm) .165"  
IPBT SERIES



# ISOLATED TERMINAL POWER HEADER

## SPECIFICATIONS

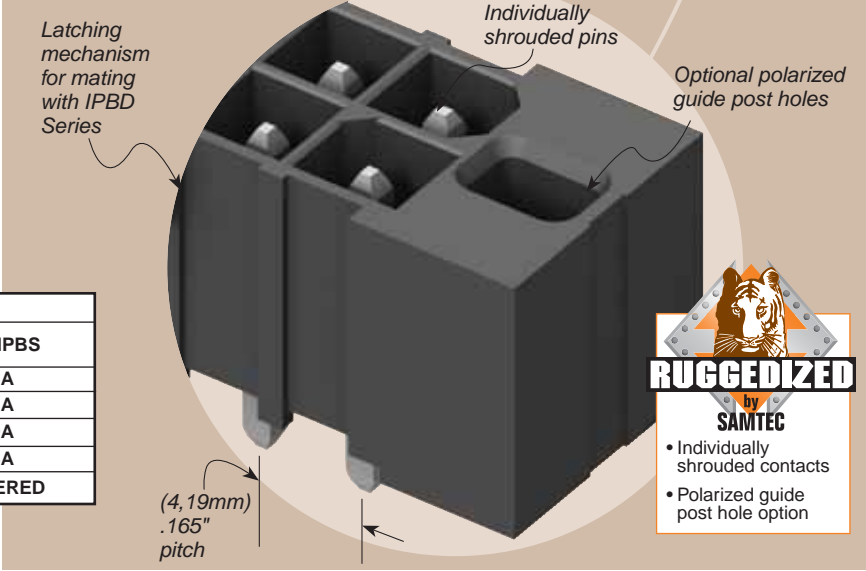
For complete specifications see [www.samtec.com](http://www.samtec.com)?IPBT

**Insulator Material:** Black Liquid Crystal Polymer  
**Contact Material:** High Copper Alloy  
**Plating:** Sn over 50µ" (1,27µm) Ni  
**Operating Temp Range:** -55°C to +105°C  
**Voltage Rating:** 500 VAC/707 VDC  
**RoHS Compliant:** Yes  
**Lead-Free Solderable:** Yes

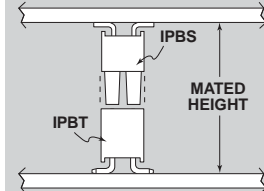
**Mates with:** IPBS, IPBD, PMSD, PMSS, SCR1



CURRENT RATING	
AMBIENT TEMP	IPBT/IPBS
20°C	8.2A
40°C	6.6A
60°C	6.0A
75°C	4.8A
6 POSITIONS (2x3) POWERED	



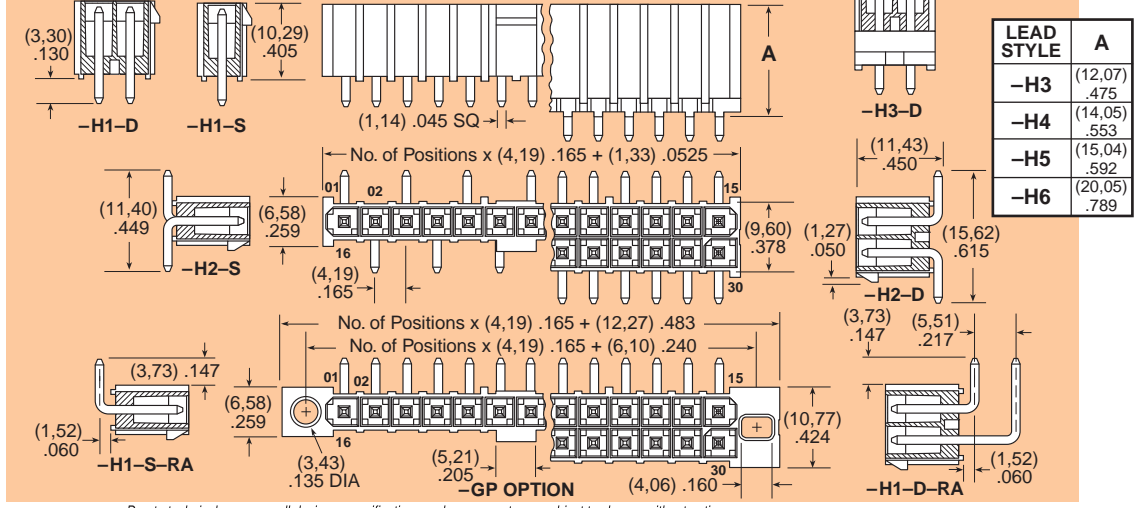
## APPLICATION



IPBT/IPBS LEAD STYLE	MATED HEIGHT*
-H1/-01	(15,25) .600
-H2/-02	(16,84) .663
-H3/-01	(17,00) .670
-H4/-01	(19,00) .748
-H5/-01	(20,00) .787
-H6/-01	(25,00) .984

\*Processing conditions will affect mated height.

IPBT	NO. OF POSITIONS PER ROW	LEAD STYLE	PLATING OPTION	ROW OPTION	OPTION
02, 03, 04, 05, 08, 10, 15 (-D only)	02, 03, 04, 05 (-S only) (Call Samtec for other sizes)	-H1 = Through-Hole -H2 = Surface Mount -HX = Elevated Through-Hole (Specify "XX" from chart -D only)	-T = Matte Tin	-S = Single Row -D = Double Row	-RA = Right Angle (Lead Style -H1 only) -GP = Guide Post Holes (8 positions not available)



LEAD STYLE	A
-H3	(12,07) .475
-H4	(14,05) .553
-H5	(15,04) .592
-H6	(20,05) .789

**Note:** Some lengths, styles and options are non-standard, non-returnable.

Due to technical progress, all designs, specifications and components are subject to change without notice.

[WWW.SAMTEC.COM](http://WWW.SAMTEC.COM)