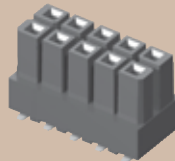
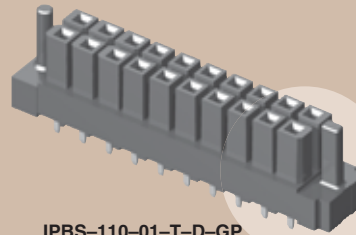




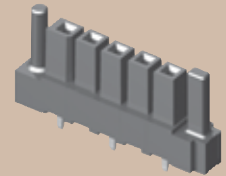
IPBS-105-H2-T-D



IPBS-110-01-T-D-GP



IPBS-105-01-T-S-GP



# POWER MATE™ SOCKET IPBS SERIES

## SPECIFICATIONS

For complete specifications see [www.samtec.com?IPBS](http://www.samtec.com?IPBS)

**Insulator Material:**  
Black Liquid Crystal Polymer



**Contact Material:**  
-01= Phosphor Bronze  
-H1= High Copper Alloy

**Plating:**  
Sn over 50µ" (1,27µm) Ni  
**Operating Temp Range:**  
-40°C to +105°C

**Insertion Depth:**  
(6,15mm) .242" to  
(7,24mm) .285"

**Wiping Distance:**  
(0,38mm) .015" min.

**Insertion Force:**  
14oz (3,89N) avg.

**Withdrawal Force:**  
10oz (2,78N) avg.

**Voltage Rating:**  
725 VAC

**RoHS Compliant:**  
Yes

## Processing:

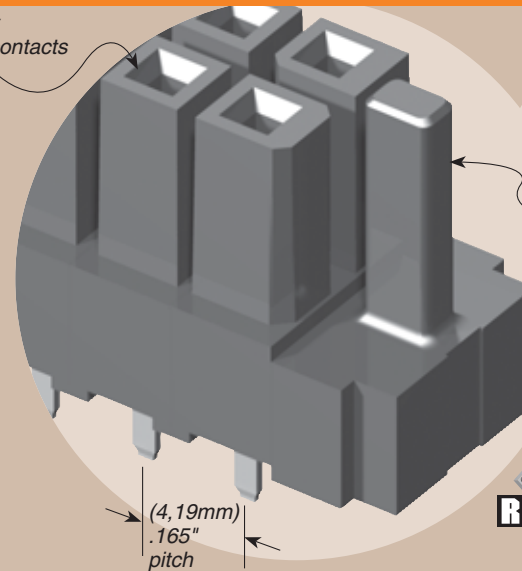
**Max Processing Temp:**  
230°C for 60 seconds, or  
260°C for 20 seconds 3x  
**Lead-Free Solderable:**  
Yes

Mates with:  
IPBT

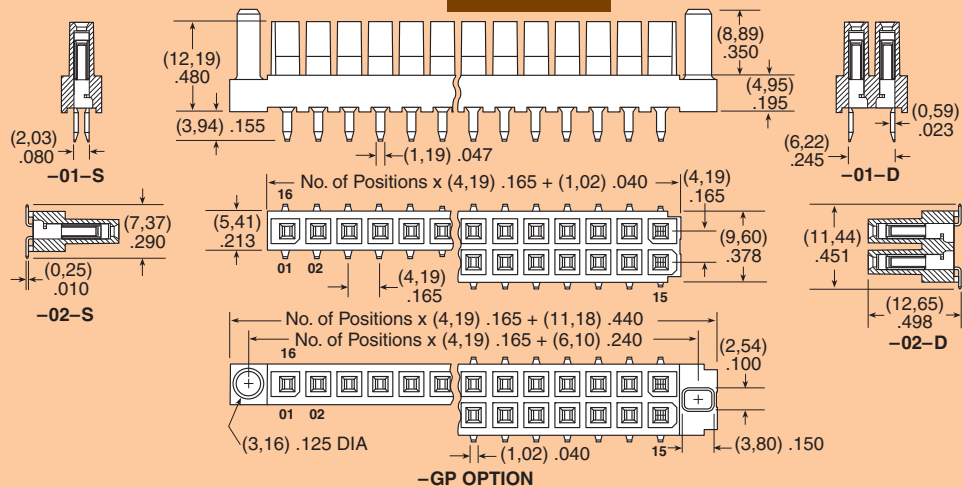
Individually  
shrouded contacts

Optional  
polarized  
guide posts

AMBIENT TEMP	CURRENT RATING (-HX)	
	2 PINS	4 PINS
20°C	19.3A	16.6A
40°C	16.9A	14.4A
60°C	14A	12A
75°C	11.4A	9.7A



IPBS	1	NO. OF POSITIONS PER ROW	LEAD STYLE	PLATING OPTION	ROW OPTION	OPTION
		02, 03, 04, 05, 10, 15 (-D only)	-01 = Standard Power -02 = Standard Power Surface Mount -H1 = High Power -H2 = High Power Surface Mount	-T = Matte Tin	-S = Single Row -D = Double Row	-GP = Guide Post
		02, 03, 04, 05 (-S only) (Call Samtec for other sizes)				



**Note:** Some lengths, styles and options are non-standard, non-returnable.

Due to technical progress, all designs, specifications and components are subject to change without notice.

[WWW.SAMTEC.COM](http://WWW.SAMTEC.COM)

SAMTEC USA • Tel: 1-800-SAMTEC-9 or 812-944-6733 • Fax: 812-948-5047  
 SAMTEC GERMANY • Tel: +49 (0) 89/89460-0 • Fax: +49 (0) 89/89460-299  
 SAMTEC ASIA PACIFIC • Tel: 65 6745-5955 • Fax: 65 6841-1502  
 SAMTEC HONG KONG • Tel: 852-2800-4850 • Fax: 852-2800-4841  
 SAMTEC SILICON VALLEY • Tel: 408-395-5900 • Fax: 408-395-1520  
 SAMTEC FRANCE • Tel: 01 60 95 06 60 • Fax: 01 60 95 06 61  
 SAMTEC ISRAEL • Tel: 972-3-7526600 • Fax: 972-3-7526690  
 SAMTEC SOUTH AFRICA • Tel: 27 11 452 8112 • Fax: 27 86 6714432  
 SAMTEC UK • Tel: 01236 739292 • Fax: 01236 727113  
 SAMTEC ITALY • Tel: 39 039 6890337 • Fax: 39 039 6890315  
 SAMTEC INDIA • Tel: +91-80-3272 1612 • Fax: +91-80-4152 8187  
 SAMTEC TAIWAN • Tel: 886-2-2735-6109 • Fax: 886-2-2735-5036  
 SAMTEC ANZ • Tel: 613 9512 7747 • Fax: 613 9512 7745