

Layout Form **PD9S22 DRAWER**

PIN ASSEMBLY (WITH AC IN SOCKETS)

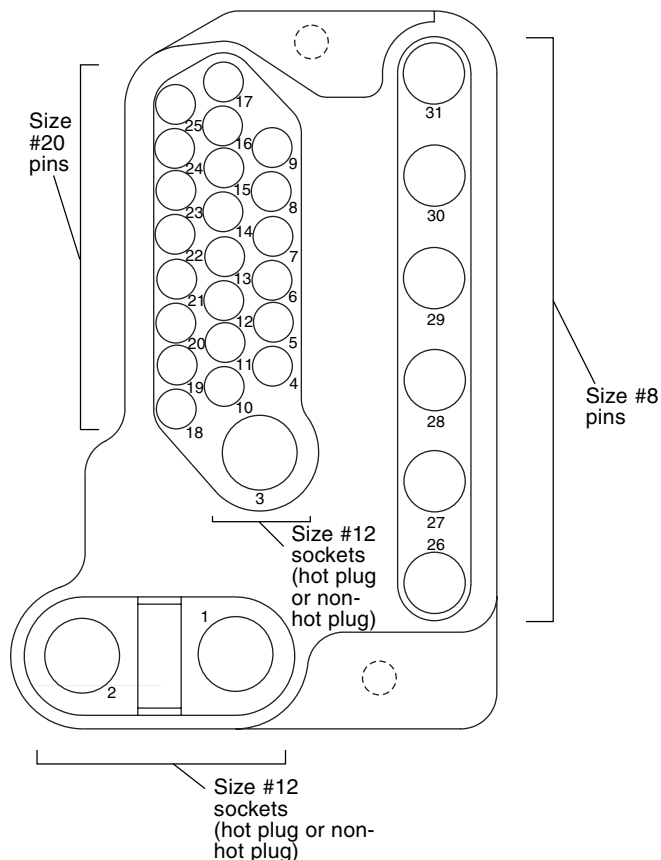
1. Enter the quantity of each pin/socket contact you require in the **Qty** column of the **Contact Selection Menu** table.
2. **For the contacts you want Elcon to install**, enter the reference letter of the desired contact in the appropriate contact position on the drawing; e.g., if you need a size #8 PCB tail standard pin contact to be installed in contact position #31, write "C" in circle #31.
3. Sign, date and fax the completed form to Elcon at the appropriate fax number for your location (see the bottom of the page).

ENTER CUSTOMER INFORMATION	
Company	Location
Contact Name	Title
Telephone	Fax
Email Address	
I am: <input type="checkbox"/> End user <input type="checkbox"/> Contract manufacturer (end user: _____)	
Signature	Today's Date
	Estimated production volume

Add me to Elcon mailing list.

Pin housing (rear face)

Pin contact insertion side. Pin connector rear face cavity identification



Housing Part Number

235-0166-01100

Contact Selection Menu

Size	Ref	Part Number	Termination, Pin Length	Qty
#8 pin	A =	707-0144-02107	PCB tail, standard	
#12 sockt	B =	708-0125-01107	PCB tail	
#20 pin	C =	707-0140-02109	PCB tail, standard	
	D =	707-0141-02109	PCB tail, premate	
	E =	707-0142-02109	PCB tail, postmate	

413-

Top assembly P/N assigned by Elcon

Use this P/N to place your order.

Layout Form **PD9S22 DRAWER**

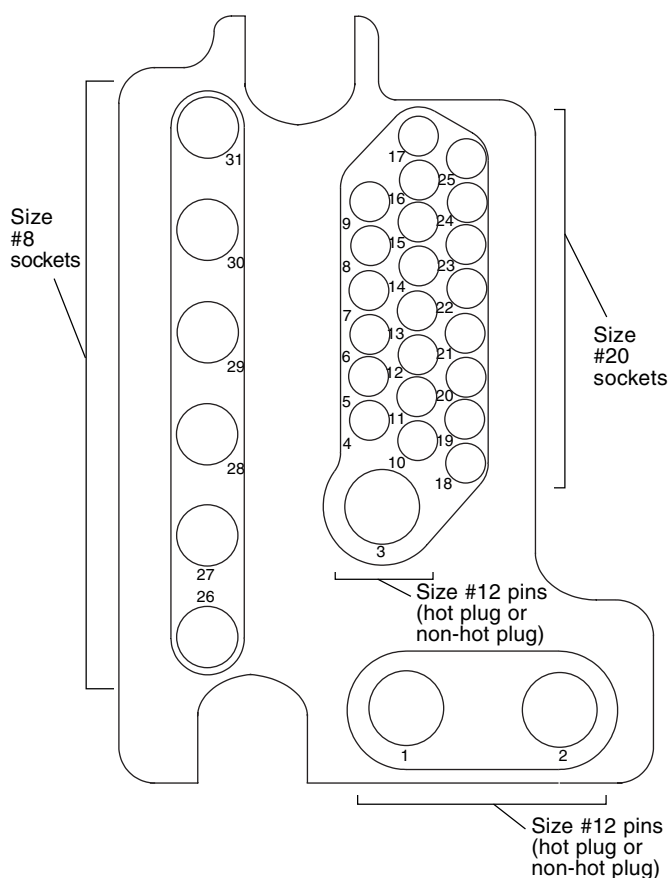
SOCKET ASSEMBLY (WITH AC IN PINS)

1. Enter the quantity of each pin/socket contact you require in the **Qty** column of the **Contact Selection Menu** table.
2. **For the contacts you want Elcon to install**, enter the reference letter of the desired contact in the appropriate contact position on the drawing; e.g., if you need a size #8 PCB tail contact to be installed in contact position #31, write "C" in circle #31.
3. Sign, date and fax the completed form to Elcon at the appropriate fax number for your location (see the bottom of the page).

ENTER CUSTOMER INFORMATION	
Company	Location
Contact Name	Title
Telephone	Fax
Email Address	
I am: <input type="checkbox"/> End user <input type="checkbox"/> Contract manufacturer (end user: _____)	
Signature	Today's Date
	Estimated production volume

Add me to Elcon mailing list.

Socket housing (rear face)
Socket contact insertion side. Socket connector rear face cavity identification



414-

Top assembly P/N assigned by Elcon
Use this P/N to place your order.

Housing Part Number
235-0167-01100

Contact Selection Menu				
Size	Ref	Part Number	Termination, Pin Length	Qty
#8 sockets	A =	702-31-01107	Crimp	
	B =	708-27-01107	Solder cup	
	C =	709-81-01107	PCB tail	
#12 pins	D =	701-12-02107	Crimp, standard	
	E =	701-15-02107	Crimp, premate	
	F =	701-16-02107	Crimp, postmate	
	G =	707-14-02107	Solder cup, standard	
	H =	707-44-02107	Solder cup, premate	
	I =	707-45-02107	Solder cup, postmate	
	J =	707-16-02107	PCB tail, standard	
#12 Hot Plug pins	K =	707-47-02107	PCB tail, premate	
	L =	707-46-02107	PCB tail, postmate	
	M =	701-12-02109	Crimp, standard, hot plug	
	N =	701-15-02109	Crimp, premate, hot plug	
	O =	701-16-02109	Crimp, postmate, hot plug	
	P =	707-14-02109	Solder cup, standard, hot plug	
	Q =	707-44-02109	Solder cup, premate, hot plug	
R =	707-45-02109	Solder cup, postmate, hot plug		
#20 sockets	S =	707-16-02109	PCB tail, standard, hot plug	
	T =	707-47-02109	PCB tail, premate, hot plug	
	U =	707-46-02109	PCB tail, postmate, hot plug	
	V =	702-92-01109	Crimp	
	W =	708-66-01109	Solder cup	
	X =	708-68-01109	PCB tail	

Float Mount Shoulder Screw		
Part Number	Description	Qty
902-83-02113	Screw No. 8-32 UNC 2A	
903-19-02113	Screw M4 x 0.7	