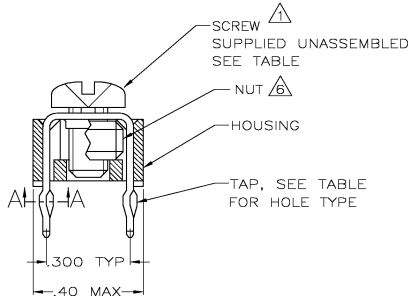
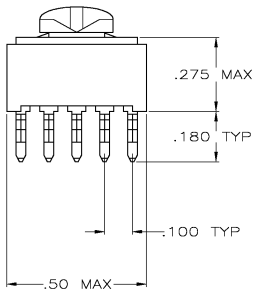
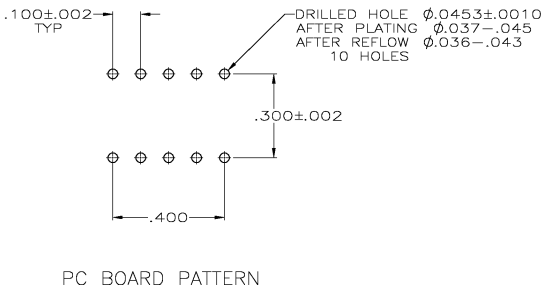


LOC	DIST	REVISIONS			
P	LTR	DESCRIPTION	DATE	BY	APPD
CP	00	S	ADDED 9--0 PER EC 0512-0217-03	12MAY03	AWF/AFW

.050±.005 DIA
SECTION A-A
 SCALE 10:1
 10 PLACES



- ① TO PREVENT THREAD STRIPPING, SCREW TORQUE SHOULD NOT EXCEED 9 IN LBS.
- ② TAP HOLE IS 6-32UNC-2B, TWO MIN THREADS.
- ③ TAP HOLE IS M4 X 0.7, TWO MIN THREADS.
- ④ PACKAGED BULK.
- ⑤ PACKAGED INDIVIDUALLY.
- ⑥ NUT INCREASES TORQUE VALUE TO 26 IN LBS.
- ⑦ HOUSING: NYLON UL 94V-0.
TAP: COPPER ALLOY 735, .025 THICK.
- ⑧ TAP: .000150 TIN-LEAD OVER .000050 NICKEL.
- ⑨ CLEARANCE HOLE FOR A 6-32 SCREW.
- ⑩ TAP: .000150 TIN OVER .000050 NICKEL.



④	⑩	②	BLACK	YES	993879-1	9-55556-0
④	⑩	②	BLACK	⑧ YES (W/NUT)	NO	1-55556-3
④	⑩	②	BLACK	⑧ YES (W/NUT)	993879-1	1-55556-2
OBSOLETE	⑤	⑥	BLACK	YES	993879-1	1-55556-1
SUPSD BY -9	-	⑥	BLACK	YES	NO	1-55556-0
④	⑩	②	BLACK	YES	M4 X 0.7 X 6MM	55556-9
SUPSD BY -4	-	⑥	WHITE	YES	993879-1	55556-8
SUPSD BY -4	-	⑥	GREEN	YES	993879-1	55556-7
SUPSD BY -4	-	⑥	BLUE	YES	993879-1	55556-6
SUPSD BY -4	-	⑥	RED	YES	993879-1	55556-5
④	⑩	②	BLACK	YES	993879-1	55556-4
④	⑩	②	BLACK	YES	NO	55556-3
OBSOLETE	-	⑥	BLACK	NO	993879-1	55556-2
OBSOLETE	-	⑥	BLACK	NO	NO	55556-1
PACKAGE	FINISH	HOLE TYPE	HOUSING COLOR	HOUSING AND TAP ASSEMBLED	SCREW	PART NO.

THIS DRAWING IS A CONTROLLED DOCUMENT. DWG 1-11-08 J. McCLENTON
 CK 1-11-08 S. STONE
 APD 1-11-08 WAC

TYCO Electronics Tyco Electronics Corporation
 Harrisburg, PA, 17105

M. GALLOWAY
 PRODUCT SPEC 108-11030
 APPLICATION SPEC 114-1100

SCALE 4:1 SHEET 1 of 1 REV S

CUSTOMER DRAWING

55556

A

RESTRICTED TO