

Z-PACK HM-Zd Connector (Continued)



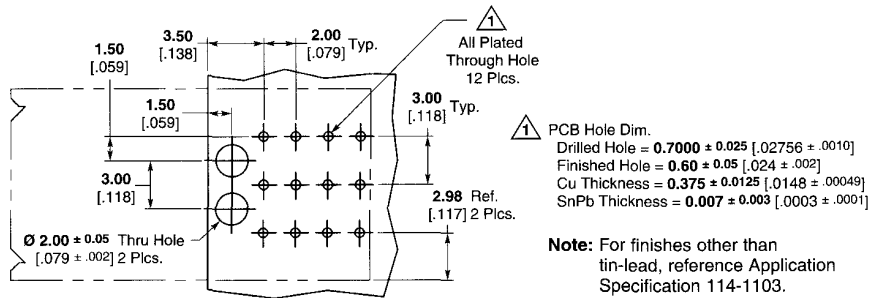
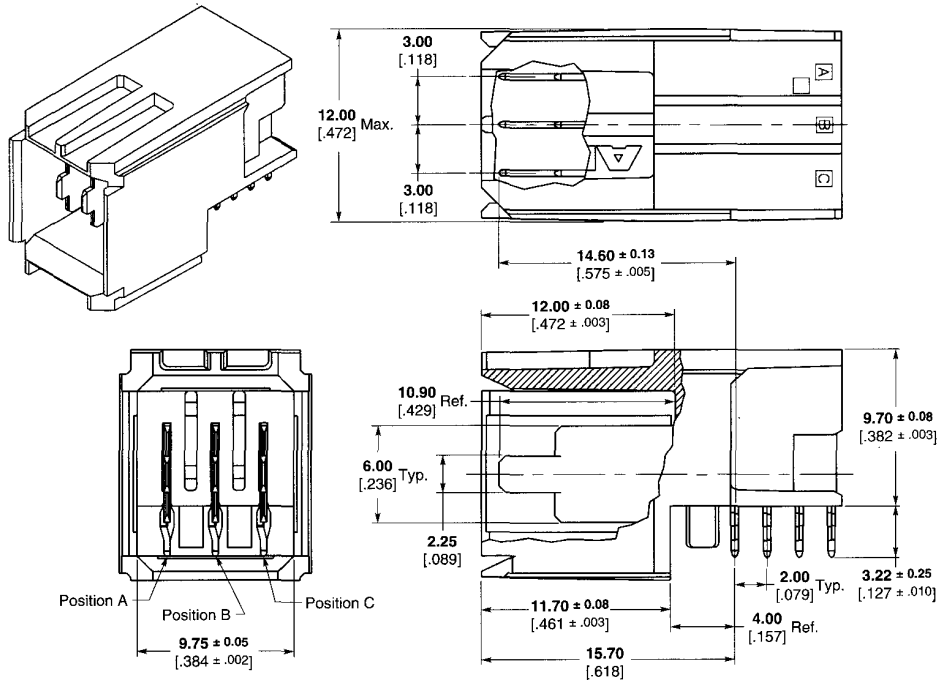
Z-PACK HM-Zd Connector

Power and Guide Hardware
(Continued)

**Universal Power Module
Right Angle Headers (3 Pos.)**

Material and Finish

Housing — polyester, natural color
Contacts — Copper alloy, plated 0.00127 [0.00050] min. gold in mating area, 0.00050 [0.00020] min. tin-lead on ACTION PIN post area, with entire contact underplated 0.00127 [0.00050] min. nickel



Recommended PC Board Hole Layout

Note: For finishes other than tin-lead, reference Application Specification 114-1103.

Blade Length Dimensions			Standard *10A	High Current *15A
Position A	Position B	Position C	Right Angle Header Part Numbers	Right Angle Header Part Numbers
10.90 [429]	10.90 [429]	10.90 [429]	223961-1	5-223961-1
10.90 [429]	9.30 [366]	10.90 [429]	223962-1	—
10.90 [429]	9.30 [366]	9.30 [366]	223968-1	—
10.90 [429]	7.68 [302]	10.90 [429]	223972-1	—
10.90 [429]	7.68 [302]	9.30 [366]	223971-1	—
10.90 [429]	7.68 [302]	7.68 [302]	223970-1	—
9.30 [429]	10.90 [429]	9.30 [366]	223963-1	—
9.30 [366]	10.90 [429]	7.68 [302]	223964-1	—
9.30 [366]	9.30 [366]	9.30 [366]	223967-1	—
9.30 [366]	—	9.30 [366]	223975-1	—
9.30 [366]	9.30 [366]	7.68 [302]	223981-1	—
9.30 [366]	7.68 [302]	9.30 [366]	223965-1	—
7.68 [302]	9.30 [366]	7.68 [302]	223983-1	—
7.68 [302]	7.68 [302]	9.30 [366]	223980-1	—
7.68 [302]	7.68 [302]	7.68 [302]	223974-1	5-223974-1

*Reference Product Specification 108-1651.

Note: For additional Power Module options reference Catalog 1773096, "Power Connectors and Interconnection Systems," or contact your Tyco Electronics Sales Representative.