

**Shielded CHAMP Right Angle PCB Connectors (Continued)**

**Board Locking Grounding**

**Material and Finish**

**Housing, Bracket Adapter Comb and Terminal Support Plate** — Polyester, black

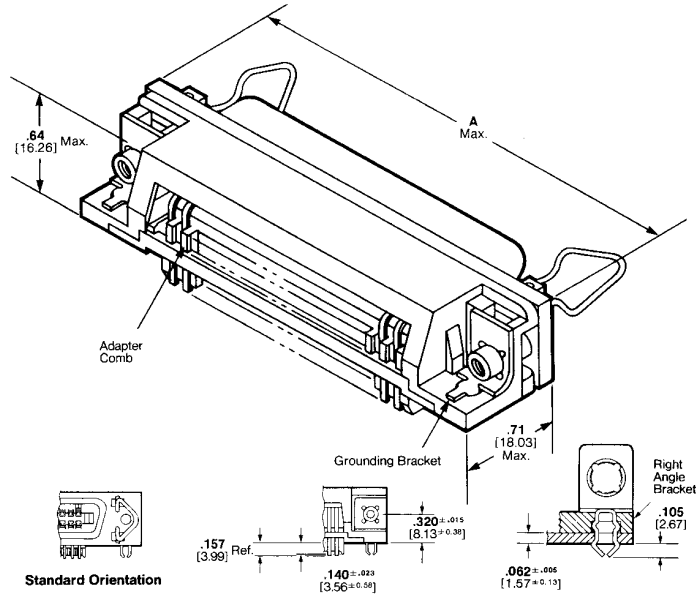
**Bail-Clip** — Passivated stainless steel

**Receptacle Shield** — Bright nickel over copper plated die casting

**Terminals** — Selectively plated gold over nickel plated high strength copper alloy, tin plated tails

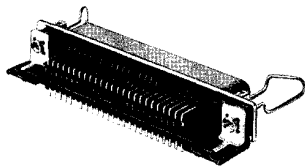
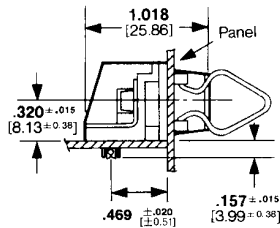
**Ground Bracket** — Tin-lead plated carbon steel

**Note:** See page 82 for Suggested Panel Cutout, Rear Panel Mounting Dimensions



**Rear Panel Mounting Detail (Shown for reference only)**

**Standard Profile Connector**



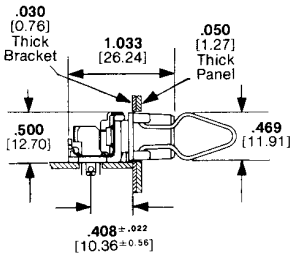
| No. of Positions | Dimension A    | Hardware Type | Screw Size | Part Numbers                                     |                       |   |
|------------------|----------------|---------------|------------|--|-----------------------|---|
|                  |                |               |            | Standard   | Reverse               | Low-Profile   |
| 24               | 2.205<br>56.01 | Screw Lock    | 6-32       | 554923-2 <sup>1</sup>                            | 554923-1 <sup>1</sup> | 557724-1 <sup>6</sup><br>555139-1 <sup>7</sup><br>555139-2 <sup>7</sup> |
| 36               | 2.715<br>68.96 | Bail Lock     | 4-40       | 555119-1 <sup>1</sup><br>555520-2 <sup>1,5</sup> | —                     |   |
| 50               | 3.320<br>84.33 | Screw Lock    | 4-40       | 557932-2 <sup>8</sup>                            | 557932-1 <sup>8</sup> |   |

**Special Low-Profile Connectors—Compatible with IBM PC AT and PC XT Computer Modules**

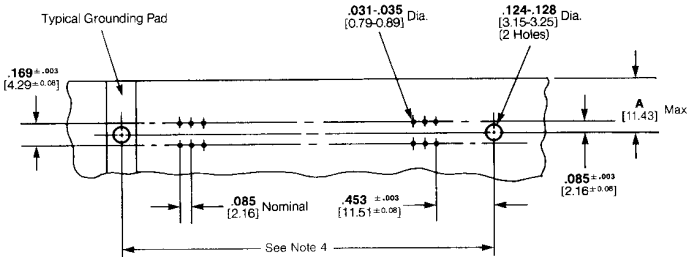
| No. of Positions | Dimension A    | Hardware Type | Screw Size | Part Numbers            |                       |
|------------------|----------------|---------------|------------|-------------------------|-----------------------|
|                  |                |               |            | Standard                | Reverse               |
| 50               | 3.310<br>84.07 | Bail Lock     | 4-40       | 555149-12. <sup>3</sup> | 555149-3 <sup>3</sup> |

**Recommended PC Board Mounting Dimensions**

**Low Profile Connector**



(See chart footnotes)



1. Maximum PC board thickness is .062 [1.57], A = .450
2. SCSI applicable
3. Maximum PC board thickness is .062 [1.57], A = .386
4. 1.842 ± .006 [46.79 ± 0.15] 24 Pos. 2.352 ± .006 [59.74 ± 0.15] 36 Pos. and 2.946 ± .006 [74.83 ± 0.15] 50 Pos.
5. Has drawn metal shield
6. Shielded, standard orientation, board lock, compatible with vapor phase & IR reflow
7. Shielded with ground bracket 4-40 thread (low profile)
8. Plated Backshell

IBM, AT and XT are trademarks of IBM Corporation.