

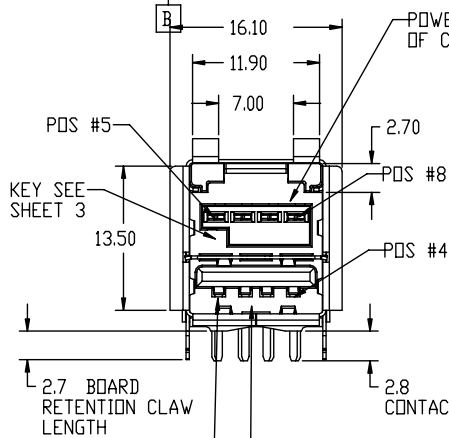
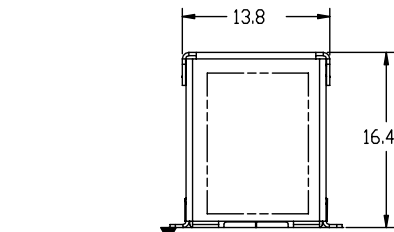
Tous droits strictement réservés. Reproduction ou communication de ces plans sans autorisation écrite de la propriété de FCJ. Droits de reproduction FCJ.

All rights strictly reserved. Reproduction or issue to third parties in any form without written authority from the proprietor. Property of FCJ. Copyright FCJ.

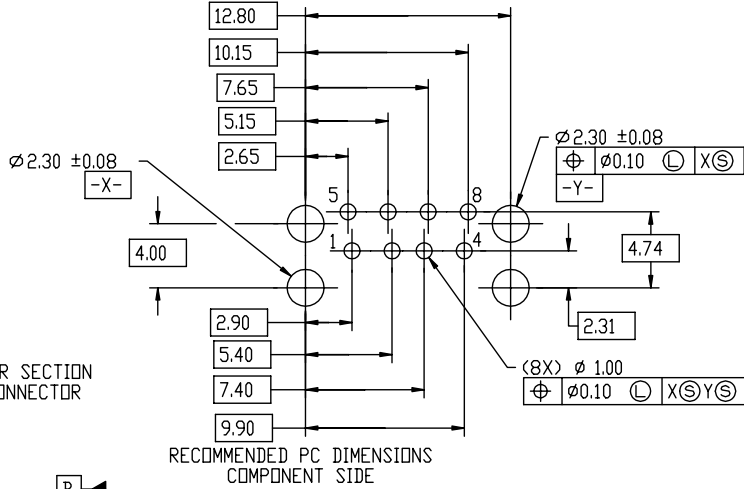


PRODUCT NUMBER
SEE TABLE

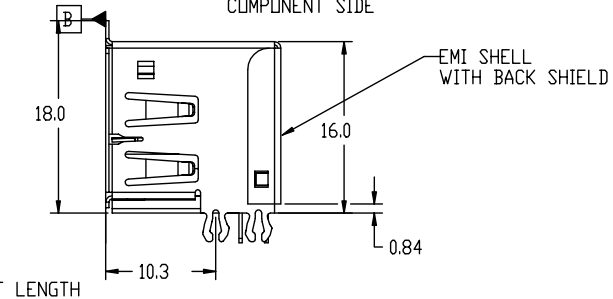
SEE SHEET 3 FOR KEYING OPTIONS



STANDARD USB SECTION OF CONNECTOR



RECOMMENDED PC DIMENSIONS COMPONENT SIDE



| part code | | - | | tolerances unless otherwise specified | | CUSTOMER | | FCJ | |
|-----------|----------|----------|----------|---------------------------------------|-------------|------------|----------------|--------------------|-------------------------------|
| tr | ech no. | dr | date | linear | 0.X ± 0.3 | projection | CDPY | www.fcjconnect.com | title |
| F | N04-0098 | PH | 11/09/04 | | 0.XX ± 0.20 | | | | USB+POWER RECEPTACLE ASSEMBLY |
| G | V04-1160 | PH | 12/07/04 | | XXX ± 0.100 | | | | |
| H | N08-0091 | tbody | 5/13/08 | angles | 0° ± 2° | | | | |
| J | N08-0122 | tbody | 6/10/08 | | | | | | |
| | | | | dr | RRINEHART | 9/22/00 | product family | | USB |
| | | | | enr | RJMACMULLIN | 9/22/00 | size | | 213 |
| | | | | chr | RJMACMULLIN | 9/22/00 | scale | | 1 of 4 |
| | | | | appd | RJMACMULLIN | 9/22/00 | size | | 1 of 4 |
| sheet | | revision | | | | 3:1 | | A | |
| index | | sheet | | | | | | | |

1 | 2

Pro/E

3 |

cage code 22526

4

PDM: Rev:J

STATUS Released

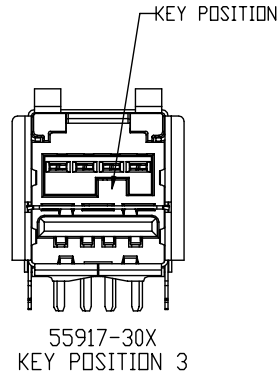
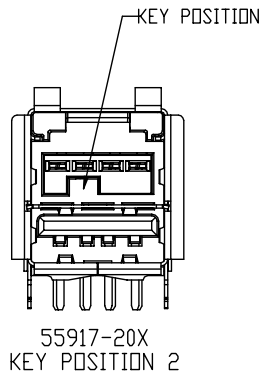
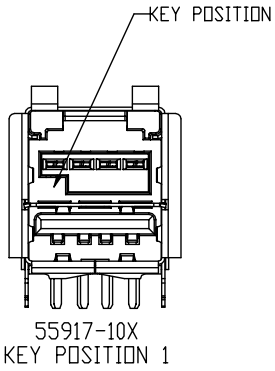
Printed: Jul 28, 2010

Tous droits strictement réservés. Reproduction ou communication à des tiers sans autorisation écrite de la propriété de FCJ. Droits de reproduction FCJ.



All rights strictly reserved. Reproduction or issue to third parties in any form without written authority from the proprietor. Property of FCJ. Copyright FCJ.

PRODUCT NUMBER
SEE TABLE



ABOVE ASSEMBLIES ARE SHOWN ONLY FOR
KEY INFORMATION, FOR ASSEMBLY INFORMATION
AND DIMENSIONS SEE PREVIOUS SHEETS

| | | | | | | | | | | | |
|-----------|----------|----|------|---------------------------------------|---------------------|------------|------|----------------|-------------------------------|--------------------|------|
| part code | | - | | tolerances unless otherwise specified | | CUSTOMER | | FCJ | | www.fcjconnect.com | |
| itr | ecn no. | dr | date | linear | 0.XX ± 0.3 | projection | CDPY | title | USB+POWER RECEPTACLE ASSEMBLY | | |
| J | | | | | 0.XX ± 0.20 | | | product family | USB | | code |
| | | | | angles | XXX ± 0.100 | | MM | size | dwg no | 55917 | 213 |
| | | | | dr | 0° ± 2° | scale | 3:1 | A | sheet | 2 | |
| | | | | enr | R.RINEHART 9/22/00 | | | | | | |
| | | | | chr | R.MACHULLIN 9/22/00 | | | | | | |
| | | | | appd | R.MACHULLIN 9/22/00 | | | | | | |
| sheet | revision | | | | | | | | | | |
| index | sheet | | | | | | | | | | |

1 | 2

Pro/E

3 |

cage code 22526

4

PDM: Rev:J

STATUS Released

Printed: Jul 28, 2010

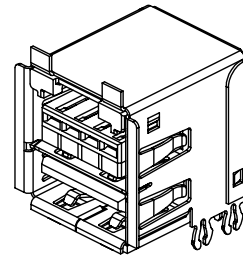
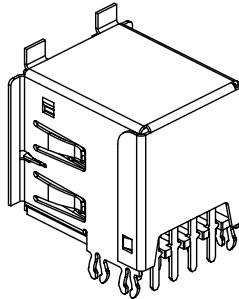
Tous droits strictement réservés. Reproduction ou communication sans autorisation écrite de FCJ. Droits de reproduction FCJ.



All rights strictly reserved. Reproduction or issue to third parties in any form without written authority from the proprietor. Property of FCJ. Copyright FCJ.

NOTES:

1. MATERIAL:
HOUSINGS: HIGH TEMP ENGINEERING PLASTIC UL 94V-0
SHIELDS: HIGH STRENGTH COPPER ALLOY, PLATING: TIN/LEAD OR TIN OVER NICKEL
TERMINALS: HIGH STRENGTH COPPER ALLOY, PLATING: NICKEL UNDERPLATING
CONTACT AREA; 30 GXT MIN
TAIL AREA; TIN/LEAD OR MATTE TIN
2. DIMENSIONS AND TOLERANCES ARE IN ACCORDANCE WITH:
ASME Y14.5M, 1994.
3. USB SECTION CONFORMS TO USB 2.0 SPECIFICATION.
4. MATING SEQUENCE WHEN MATED WITH USB+POWER PLUG
PRODUCT NUMBER 74233-XXX
5. CURRENT RATING IS 1.5 AMP PER CONTACT FOR THE STANDARD USB SECTION AND 3 OR 5 AMPS
PER CONTACT FOR THE POWER SECTION WITH ALL CONTACTS POWER (SEE PART NUMBER TABLE), SEE GS-12-130
FOR PRODUCT TEST AND PERFORMANCE INFORMATION.
6. P/N'S WITH SUFFIX 'LF' ARE LEAD FREE P/N'S
7. FOR LEAD FREE P/N, THE PRODUCT MEET EUROPEAN UNION DIRECTIVES AND OTHER COUNTRY
REGULATION AS DESCRIBED IN GS-22-008
8. THE HOUSING WILL WITHSTAND EXPOSURE TO 260°C PEAK TEMPERATURE FOR 40 SECONDS IN A
CONVECTION, INFRD-RED OR VAPOR PHASE REFLOW OVEN.
9. THIS PRODUCT IS MADE UNDER LICENSE OF IBM U.S. PATENT NO. 6334793



| CONTACT NUMBER | PRODUCT DASH NUMBER 55917- | | | MATING SEQ. |
|----------------|----------------------------|------------|------------|-------------|
| | -10X/50XLF | -20X/60XLF | -30X/70XLF | |
| 1 | VCC | VCC | VCC | 2 |
| 2 | - DATA | - DATA | - DATA | 3 |
| 3 | + DATA | + DATA | + DATA | 3 |
| 4 | GROUND | GROUND | GROUND | 2 |
| 5 | 12V GROUND | 24V GROUND | 5V GROUND | 2 |
| 6 | 12V | 24V | 5V | 3 |
| 7 | 12V | 24V | 5V | 3 |
| 8 | 12V GROUND | 24V GROUND | 5V GROUND | 2 |
| SHELL | SHIELD | SHIELD | SHIELD | 1 |

| part code | | | | tolerances unless otherwise specified | | CUSTOMER | | FCJ | |
|-----------|----------|----|------|---------------------------------------|------------|-------------------------------------|--|-----|--|
| itr | ecn no. | dr | date | 0.X ± 0.3 | CDPY | www.fcjconnect.com | | | |
| J | | | | 0.XX ± 0.20 | projection | title USB+POWER RECEPTACLE ASSEMBLY | | | |
| | | | | XXX ± 0.100 | MM | product family USB code 213 | | | |
| | | | | 0° ± 2° | scale | size dwg no 55917 sheet 3 | | | |
| | | | | dr RRINEHART 9/22/00 | 1:1 | A | | | |
| | | | | enr RMACHULLIN 9/22/00 | | | | | |
| | | | | chr RMACHULLIN 9/22/00 | | | | | |
| | | | | appd RMACHULLIN 9/22/00 | | | | | |
| sheet | revision | | | | | | | | |
| index | sheet | | | | | | | | |

1 | 2

3

4

1 | 2

Pro/E

3

cage code 22526

4

PDM: Rev:J

STATUS Released

Printed: Jul 28, 2010

Tous droits strictement réservés. Reproduction ou communication à des tiers sans autorisation écrite de la propriété de FCJ. Droits de reproduction FCJ.

All rights strictly reserved. Reproduction or issue to third parties in any form without written authority from the proprietor. Property of FCJ. Copyright FCJ.



| PRODUCT NUMBER | DESCRIPTION | VOLTAGE | HOUSING COLOR | CURRENT RATING | REMARK |
|----------------|------------------------------|---------|---------------|----------------|---|
| 55917-100 | RECPT. ASS'Y. KEY POSITION 1 | 12V | BLACK | 3 AMPS | NON LEAD FREE PART,NOT AVAILABLE |
| 55917-500LF | RECPT. ASS'Y. KEY POSITION 1 | 12V | BLACK | 3 AMPS | LEAD FREE PART, SUBSTITUTE DF 55917-100 |
| 55917-800LF | RECPT. ASS'Y. KEY POSITION 1 | 12V | BLACK | 5 AMPS | LEAD FREE PART, SUBSTITUTE DF 55917-500LF |
| 55917-101 | RECPT. ASS'Y. KEY POSITION 1 | 12V | TEAL | 3 AMPS | NON LEAD FREE PART,NOT AVAILABLE |
| 55917-501LF | RECPT. ASS'Y. KEY POSITION 1 | 12V | TEAL | 3 AMPS | LEAD FREE PART, SUBSTITUTE DF 55917-101 |
| 55917-801LF | RECPT. ASS'Y. KEY POSITION 1 | 12V | TEAL | 5 AMPS | LEAD FREE PART, SUBSTITUTE DF 55917-501LF |
| 55917-200 | RECPT. ASS'Y. KEY POSITION 2 | 24V | BLACK | 3 AMPS | NON LEAD FREE PART,NOT AVAILABLE |
| 55917-600LF | RECPT. ASS'Y. KEY POSITION 2 | 24V | BLACK | 3 AMPS | LEAD FREE PART, SUBSTITUTE DF 55917-200 |
| 55917-000LF | RECPT. ASS'Y. KEY POSITION 2 | 24V | BLACK | 5 AMPS | LEAD FREE PART, SUBSTITUTE DF 55917-600LF |
| 55917-201 | RECPT. ASS'Y. KEY POSITION 2 | 24V | RED | 3 AMPS | NON LEAD FREE PART,NOT AVAILABLE |
| 55917-601LF | RECPT. ASS'Y. KEY POSITION 2 | 24V | RED | 3 AMPS | LEAD FREE PART, SUBSTITUTE DF 55917-201 |
| 55917-001LF | RECPT. ASS'Y. KEY POSITION 2 | 24V | RED | 5 AMPS | LEAD FREE PART, SUBSTITUTE DF 55917-601LF |
| 55917-300 | RECPT. ASS'Y. KEY POSITION 3 | 5V | NATURAL | 3 AMPS | NON LEAD FREE PART,NOT AVAILABLE |
| 55917-700LF | RECPT. ASS'Y. KEY POSITION 3 | 5V | NATURAL | 3 AMPS | LEAD FREE PART, SUBSTITUTE DF 55917-300 |
| 55917-900LF | RECPT. ASS'Y. KEY POSITION 3 | 5V | NATURAL | 5 AMPS | LEAD FREE PART, SUBSTITUTE DF 55917-700LF |

| | | | | | | | | | | | |
|-----------|----------|----|------|---------------------------------------|---------------------|------------|------|-------------------------------|--|--------------------|--|
| part code | | - | | tolerances unless otherwise specified | | CUSTOMER | | FCJ | | www.fcjconnect.com | |
| itr | ecr no. | dr | date | linear | 0.XX ± 0.20 | projection | CDPY | title | | | |
| J | | | | | XXX ± 0.100 | | | USB+POWER RECEPTACLE ASSEMBLY | | | |
| | | | | angles | 0° ± 2° | | | product family | | code | |
| | | | | dr | RRINEHART 9/22/00 | MM | | size | | 213 | |
| | | | | enrg | R.MACHULLIN 9/22/00 | scale | | dwg no | | 4 | |
| | | | | chr | R.MACHULLIN 9/22/00 | 1:1 | | 55917 | | sheet | |
| | | | | appd | R.MACHULLIN 9/22/00 | | | A | | 4 | |
| sheet | revision | | | | | | | | | | |
| index | sheet | | | | | | | | | | |

1 | 2 Pro/E 3 | cage code 22526 4

PDM: Rev:J STATUS Released Printed: Jul 28, 2010