

4

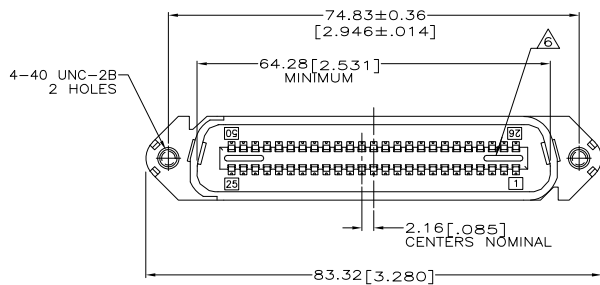
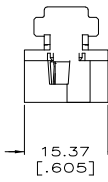
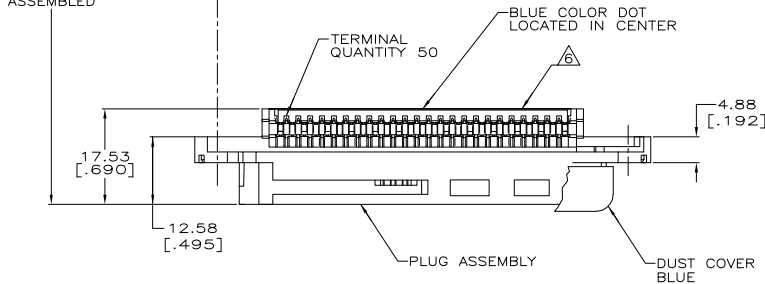
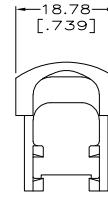
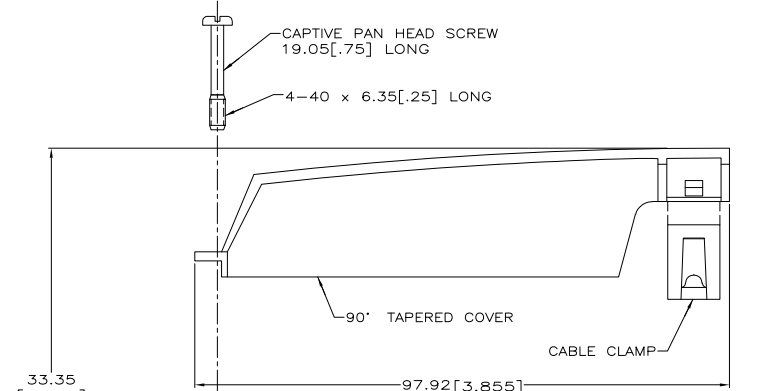
3

2

1

THIS DRAWING IS UNPUBLISHED.  
 © COPYRIGHT BY TYCO ELECTRONICS CORPORATION. ALL RIGHTS RESERVED.

LOC	DIST	REVISIONS					
GP	00	F	LTR	DESCRIPTION	DATE	BY	APPD
		0		RELEASED PER EC 0513-0288-05	23SEP05	GP	JG



- THE CONTACT SURFACES OF THE TERMINALS ARE COATED WITH LUBRICANT.
- △ DIMENSIONS ARE MAXIMUM UNLESS OTHERWISE SPECIFIED.
- △ MATERIAL: HOUSING AND COVER - POLYPHENYLENE OXIDE.  
CABLE CLAMP - POLYESTER MOLDING COMPOUND.  
TERMINALS - GOLD OVER NICKEL PLATED HIGH STRENGTH COPPER ALLOY.  
HARDWARE - ZINC PLATED STEEL.  
DUST COVER - POLYETHYLENE MOLDING COMPOUND.
- THIS KIT SHIPPED NOT ASSEMBLED.
- WIRE SIZE: 24 & 26 AWG SOLID & 24/7 STRAND COPPER CONDUCTORS. MAXIMUM INSULATION DIAMETER OF 1.14 [.045] IS ACCEPTABLE FOR MOST APPLICATIONS.
- △ CORING MAY OR MAY NOT APPEAR AND IS AT THE DISCRETION OF AMP INCORPORATED.

PACKAGING	CABLE RANGE	DUST COVER	COLOR	PART NUMBER
BULK PACKED	ø7.62-8.26 [ø.300-.325]	YES	BLACK	6-5229912-7
	ø8.89-10.80 [ø.350-.425]	YES	GRAY	6-5229912-4
POLY BAGGED	ø8.89-10.80 [ø.350-.425]	YES	BLACK	6-5229912-3
		NO	BLACK	6-5229912-1
	ø10.80-12.70 [ø.425-.500]	YES	BLACK	3-5229912-1
		NO	BLACK	2-5229912-1
PACKAGING	ø8.89-10.80 [ø.350-.425]	NO	BLACK	1-5229912-1
		NO	GRAY	5229912-4
		NO	BLACK	5229912-1

THIS DRAWING IS A CONTROLLED DOCUMENT.		TYCO ELECTRONICS CORPORATION	
DIMENSIONS: mm [INCHES]	TO MANUFACTURE: AS SHOWN	DATE: 23SEP05	BY: G. PETERS
0 PLC	1	2	3
1 PLC	2	3	4
2 PLC	3	4	5
3 PLC	4	5	6
4 PLC	5	6	7
5 PLC	6	7	8
6 PLC	7	8	9
7 PLC	8	9	10
8 PLC	9	10	11
9 PLC	10	11	12
10 PLC	11	12	13
11 PLC	12	13	14
12 PLC	13	14	15
13 PLC	14	15	16
14 PLC	15	16	17
15 PLC	16	17	18
16 PLC	17	18	19
17 PLC	18	19	20
18 PLC	19	20	21
19 PLC	20	21	22
20 PLC	21	22	23
21 PLC	22	23	24
22 PLC	23	24	25
23 PLC	24	25	26
24 PLC	25	26	27
25 PLC	26	27	28
26 PLC	27	28	29
27 PLC	28	29	30
28 PLC	29	30	31
29 PLC	30	31	32
30 PLC	31	32	33
31 PLC	32	33	34
32 PLC	33	34	35
33 PLC	34	35	36
34 PLC	35	36	37
35 PLC	36	37	38
36 PLC	37	38	39
37 PLC	38	39	40
38 PLC	39	40	41
39 PLC	40	41	42
40 PLC	41	42	43
41 PLC	42	43	44
42 PLC	43	44	45
43 PLC	44	45	46
44 PLC	45	46	47
45 PLC	46	47	48
46 PLC	47	48	49
47 PLC	48	49	50
48 PLC	49	50	51
49 PLC	50	51	52
50 PLC	51	52	53
51 PLC	52	53	54
52 PLC	53	54	55
53 PLC	54	55	56
54 PLC	55	56	57
55 PLC	56	57	58
56 PLC	57	58	59
57 PLC	58	59	60
58 PLC	59	60	61
59 PLC	60	61	62
60 PLC	61	62	63
61 PLC	62	63	64
62 PLC	63	64	65
63 PLC	64	65	66
64 PLC	65	66	67
65 PLC	66	67	68
66 PLC	67	68	69
67 PLC	68	69	70
68 PLC	69	70	71
69 PLC	70	71	72
70 PLC	71	72	73
71 PLC	72	73	74
72 PLC	73	74	75
73 PLC	74	75	76
74 PLC	75	76	77
75 PLC	76	77	78
76 PLC	77	78	79
77 PLC	78	79	80
78 PLC	79	80	81
79 PLC	80	81	82
80 PLC	81	82	83
81 PLC	82	83	84
82 PLC	83	84	85
83 PLC	84	85	86
84 PLC	85	86	87
85 PLC	86	87	88
86 PLC	87	88	89
87 PLC	88	89	90
88 PLC	89	90	91
89 PLC	90	91	92
90 PLC	91	92	93
91 PLC	92	93	94
92 PLC	93	94	95
93 PLC	94	95	96
94 PLC	95	96	97
95 PLC	96	97	98
96 PLC	97	98	99
97 PLC	98	99	100
98 PLC	99	100	101
99 PLC	100	101	102
100 PLC	101	102	103
101 PLC	102	103	104
102 PLC	103	104	105
103 PLC	104	105	106
104 PLC	105	106	107
105 PLC	106	107	108
106 PLC	107	108	109
107 PLC	108	109	110
108 PLC	109	110	111
109 PLC	110	111	112
110 PLC	111	112	113
111 PLC	112	113	114
112 PLC	113	114	115
113 PLC	114	115	116
114 PLC	115	116	117
115 PLC	116	117	118
116 PLC	117	118	119
117 PLC	118	119	120
118 PLC	119	120	121
119 PLC	120	121	122
120 PLC	121	122	123
121 PLC	122	123	124
122 PLC	123	124	125
123 PLC	124	125	126
124 PLC	125	126	127
125 PLC	126	127	128
126 PLC	127	128	129
127 PLC	128	129	130
128 PLC	129	130	131
129 PLC	130	131	132
130 PLC	131	132	133
131 PLC	132	133	134
132 PLC	133	134	135
133 PLC	134	135	136
134 PLC	135	136	137
135 PLC	136	137	138
136 PLC	137	138	139
137 PLC	138	139	140
138 PLC	139	140	141
139 PLC	140	141	142
140 PLC	141	142	143
141 PLC	142	143	144
142 PLC	143	144	145
143 PLC	144	145	146
144 PLC	145	146	147
145 PLC	146	147	148
146 PLC	147	148	149
147 PLC	148	149	150
148 PLC	149	150	151
149 PLC	150	151	152
150 PLC	151	152	153
151 PLC	152	153	154
152 PLC	153	154	155
153 PLC	154	155	156
154 PLC	155	156	157
155 PLC	156	157	158
156 PLC	157	158	159
157 PLC	158	159	160
158 PLC	159	160	161
159 PLC	160	161	162
160 PLC	161	162	163
161 PLC	162	163	164
162 PLC	163	164	165
163 PLC	164	165	166
164 PLC	165	166	167
165 PLC	166	167	168
166 PLC	167	168	169
167 PLC	168	169	170
168 PLC	169	170	171
169 PLC	170	171	172
170 PLC	171	172	173
171 PLC	172	173	174
172 PLC	173	174	175
173 PLC	174	175	176
174 PLC	175	176	177
175 PLC	176	177	178
176 PLC	177	178	179
177 PLC	178	179	180
178 PLC	179	180	181
179 PLC	180	181	182
180 PLC	181	182	183
181 PLC	182	183	184
182 PLC	183	184	185
183 PLC	184	185	186
184 PLC	185	186	187
185 PLC	186	187	188
186 PLC	187	188	189
187 PLC	188	189	190
188 PLC	189	190	191
189 PLC	190	191	192
190 PLC	191	192	193
191 PLC	192	193	194
192 PLC	193	194	195
193 PLC	194	195	196
194 PLC	195	196	197
195 PLC	196	197	198
196 PLC	197	198	199
197 PLC	198	199	200
198 PLC	199	200	201
199 PLC	200	201	202
200 PLC	201	202	203
201 PLC	202	203	204
202 PLC	203	204	205
203 PLC	204	205	206
204 PLC	205	206	207
205 PLC	206	207	208
206 PLC	207	208	209
207 PLC	208	209	210
208 PLC	209	210	211
209 PLC	210	211	212
210 PLC	211	212	213
211 PLC	212	213	214
212 PLC	213	214	215
213 PLC	214	215	216
214 PLC	215	216	217
215 PLC	216	217	218
216 PLC	217	218	219
217 PLC	218	219	220
218 PLC	219	220	221
219 PLC	220	221	222
220 PLC	221	222	223
221 PLC	222	223	224
222 PLC	223	224	225
223 PLC	224	225	226
224 PLC	225	226	227
225 PLC	226	227	228
226 PLC	227	228	229
227 PLC	228	229	230
228 PLC	229	230	231
229 PLC	230	231	232
230 PLC	231	232	233
231 PLC	232	233	234
232 PLC	233	234	235
233 PLC	234	235	236
234 PLC	235	236	237
235 PLC	236	237	238
236 PLC	237	238	239
237 PLC	238	239	240
238 PLC	239	240	241
239 PLC	240	241	242
240 PLC	241	242	243
241 PLC	242	243	244
242 PLC	243	244	245
243 PLC	244	245	246
244 PLC	245	246	247
245 PLC	246	247	248
246 PLC	247	248	249
247 PLC			