

4

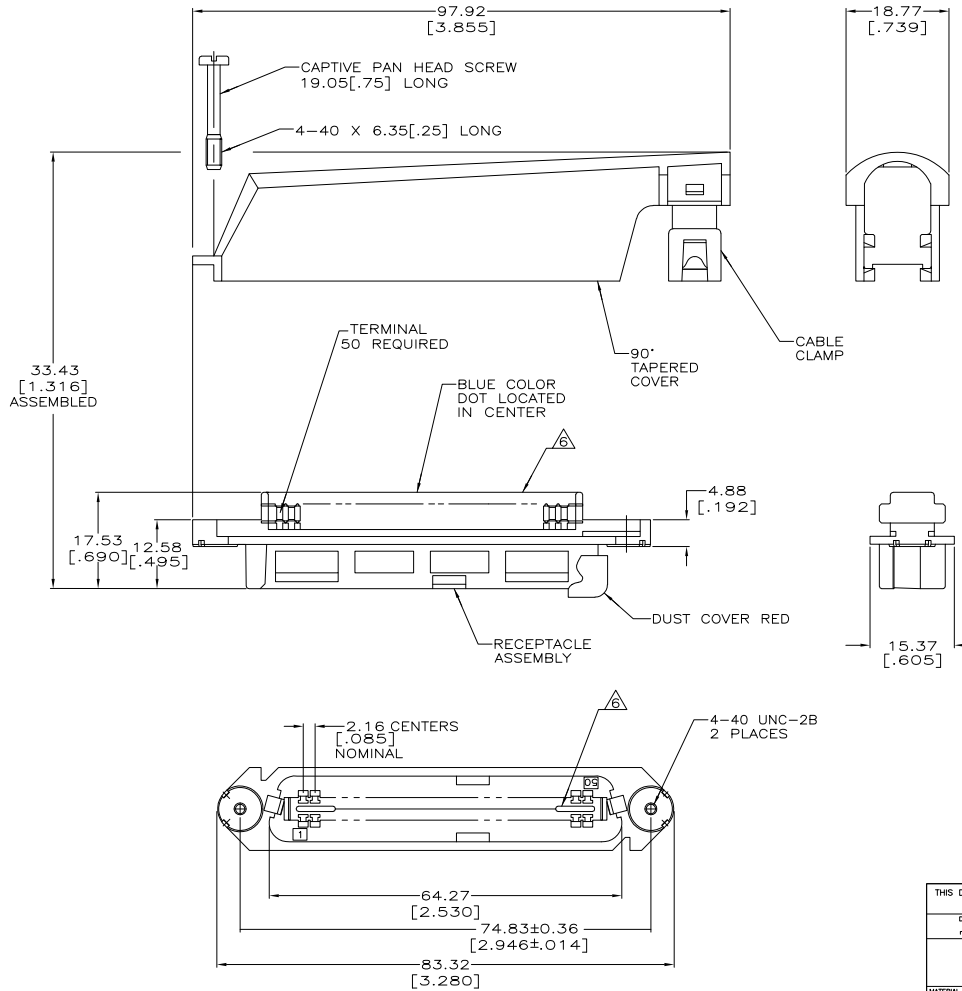
3

2

1

THIS DRAWING IS UNPUBLISHED. RELEASED FOR PUBLICATION.
 © COPYRIGHT 2005 BY TYCO ELECTRONICS CORPORATION. ALL RIGHTS RESERVED.

LOC	DIST	REVISIONS					
GP	00	P	LR	DESCRIPTION	DATE	BY	APPD
		0		RELEASED PER EC 0513-0288-05	23SEP05	GP	JG



1. THE CONTACT SURFACES OF THE TERMINALS ARE COATED WITH LUBRICANT.
 2. DIMENSIONS ARE MAXIMUM UNLESS OTHERWISE SPECIFIED.
 3. MATERIAL: HOUSING AND COVER - POLYPHENYLENE OXIDE.
 CABLE CLAMP - POLYESTER MOLDING COMPOUND.
 TERMINALS - GOLD OVER NICKEL PLATED HIGH STRENGTH COPPER ALLOY.
 HARDWARE - ZINC PLATED STEEL.
 DUST COVER - POLYETHYLENE MOLDING COMPOUND.
 4. THIS KIT SHIPPED NOT ASSEMBLED.
 5. WIRE SIZE: 24 & 26 AWG SOLID & 24 AWG STRAND COPPER CONDUCTORS. MAXIMUM INSULATION DIAMETER OF 1.15[.045] IS ACCEPTABLE FOR MOST APPLICATIONS.
- △ CORING MAY OR MAY NOT APPEAR AND IS AT THE DISCRETION OF AMP INCORPORATED.

BULK PACKED	Ø7.62-8.26 [Ø.300-.325]	YES	BLACK	6-5229913-7
	Ø8.89-10.80 [Ø.350-.425]	YES	GRAY	6-5229913-4
POLY BAGGED	Ø8.89-10.80 [Ø.350-.425]	YES	BLACK	6-5229913-3
	Ø10.80-12.70 [Ø.425-.500]	NO	BLACK	6-5229913-1
	Ø10.80-12.70 [Ø.425-.500]	YES	BLACK	3-5229913-1
	Ø10.80-12.70 [Ø.425-.500]	NO	BLACK	2-5229913-1
PACKAGING	CABLE RANGE	YES	GRAY	1-5229913-4
		YES	BLACK	1-5229913-1
		NO	GRAY	5229913-4
		NO	BLACK	5229913-1
	DUST COVER		COLOR	PART NUMBER

THIS DRAWING IS A CONTROLLED DOCUMENT.		TYCO ELECTRONICS CORPORATION	
DIMENSIONS: mm [INCHES]	TO MANUFACTURE TO THIS SPECIFICATION, CONTACT THE MANUFACTURER.	DATE: 23SEP05	LOCATION: Harrisburg, Pa 17105-3608
0 PLC	±	APPD: M. WALKSLEY	NAME: M. WALKSLEY
1 PLC	±	DATE: 23SEP05	DATE: 23SEP05
2 PLC	±	DATE: 23SEP05	DATE: 23SEP05
3 PLC	±	DATE: 23SEP05	DATE: 23SEP05
4 PLC	±	DATE: 23SEP05	DATE: 23SEP05
ANGLE	±	DATE: 23SEP05	DATE: 23SEP05
FINISH	±	DATE: 23SEP05	DATE: 23SEP05
MATERIAL		SIZE: A2	CAGE CODE: 00779
		DRAWING NO: C-5229913	RESTRICTED TO: -
		SCALE: 2:1	SHEET: 1 of 1
		CUSTOMER DRAWING	REV: 0

AMP 1471-9 REV 31MAR2000

5229913

B

A