

# Wire to Board Connectors

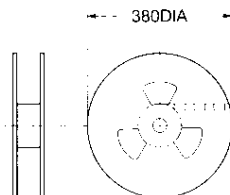
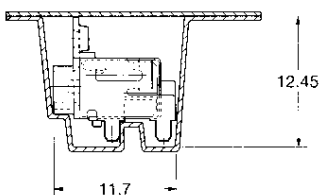
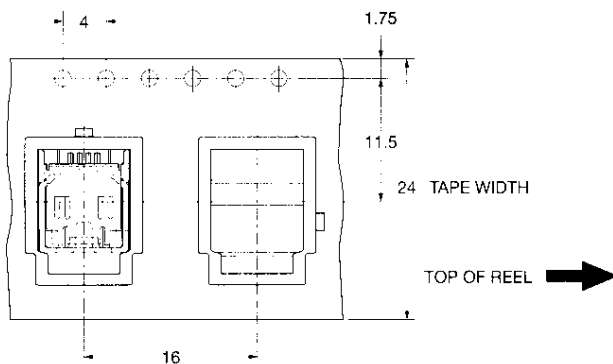
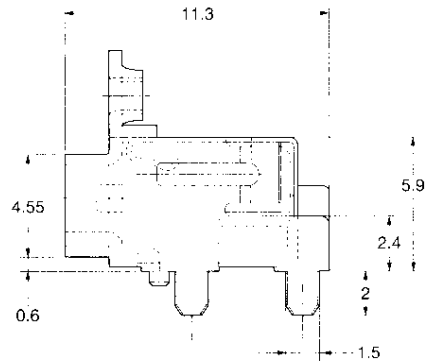
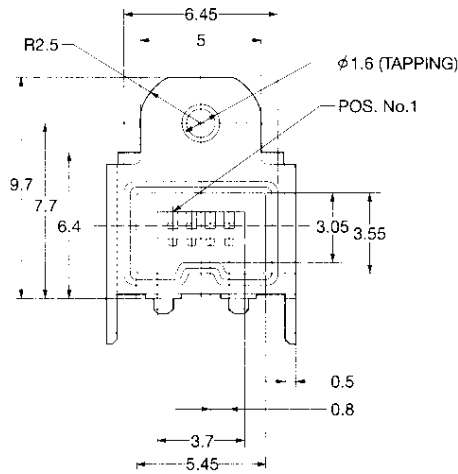
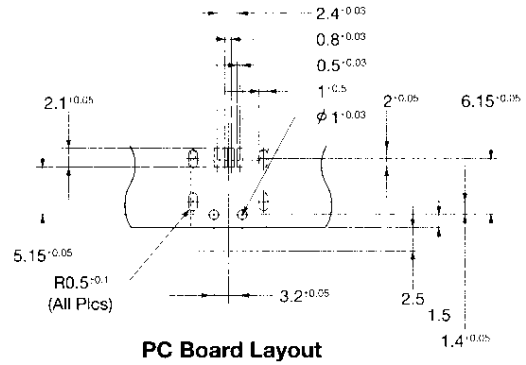
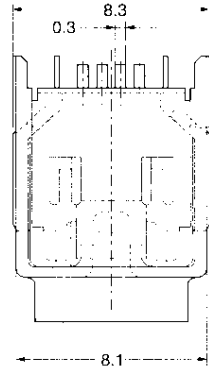
## Connector System for IEEE1394 Serial Bus

### 4 Pos. Receptacle Header, SMT Type M1.6 TAP

#### Panel Mount Type With Boss

**Part Number :**  
**1318141-1**  
**1318142-1** (Emboss Tape :  
 400eo./Reel)

**Material and Finish :**  
 Housing—6T Nylon, UL94V-0  
 rated, black  
 Contact—Copper Alloy, gold  
 plated, nickel underplated  
 Front Shell—Brass, Tin-lead  
 Back Shell—Phosphor bronze,  
 Tin-lead



WITHOUT  
CHARGE  
300mm  
APPROX

WITH PRODUCT CHARGE

WEEDING THE COVER TAPE  
AROUND THE OUTER  
PERIPHERY IN A TURN

HOLEs  
12

WITHOUT  
CHARGE  
300mm  
APPROX

4