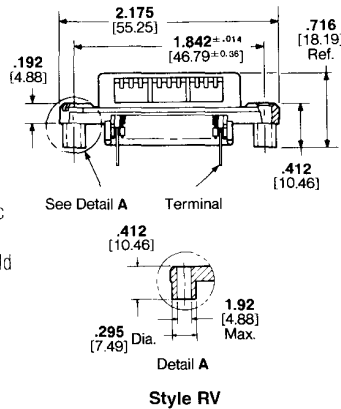


**CHAMP IDC Connectors for Special Applications,  
Interface Bus PCB Connector Applications**

**Vertical Mount Receptacle  
(24-Position)  
Part Number 552224-1**

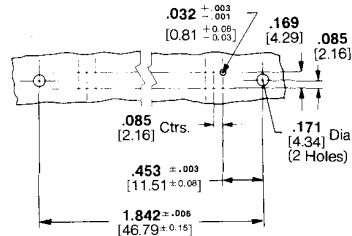


**Material and Finish**

**Housing** — Polyester thermoplastic (black)

**Terminals** — Selectively plated gold over nickel plated on high strength copper alloy, tin plated tails

**Recommended Printed Circuit Board Mounting Dimensions  
(24-Position Only)**

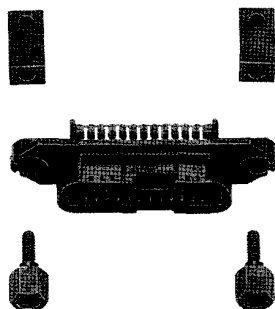


**Note:**  
PC Board Thickness—  
.125 [3.18] maximum

Miniature Ribbon Connector Systems  
**CHAMP .085 Centerline**



**Edge Mount Screw Lock Hardware Kits (one kit required per assembly)**

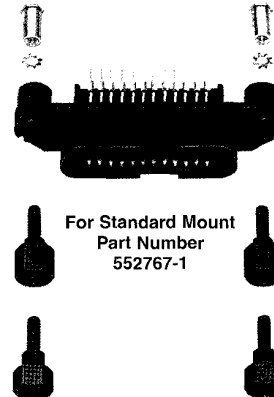


**Mounting Bracket  
Part Number 552656-1**

**Metric Standoff Stud  
Part Number 552634-3**

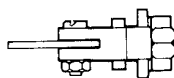
**Note:** 4.40 x 3/8 [9.53] screws and nuts for mounting brackets are customer supplied items.

**Vertical Mount Screw Lock Hardware Kits (one kit required per assembly)  
Order all hardware separately**



**For Standard Mount  
Part Number  
552767-1**

Standard Mount



Standard Mount

