

## Shielded Right-Angle Connectors (Continued)

### Board Locking Grounding

#### Material and Finish:

**Housing, Bracket Adapter Comb and Terminal Support Plate**—polyester, black

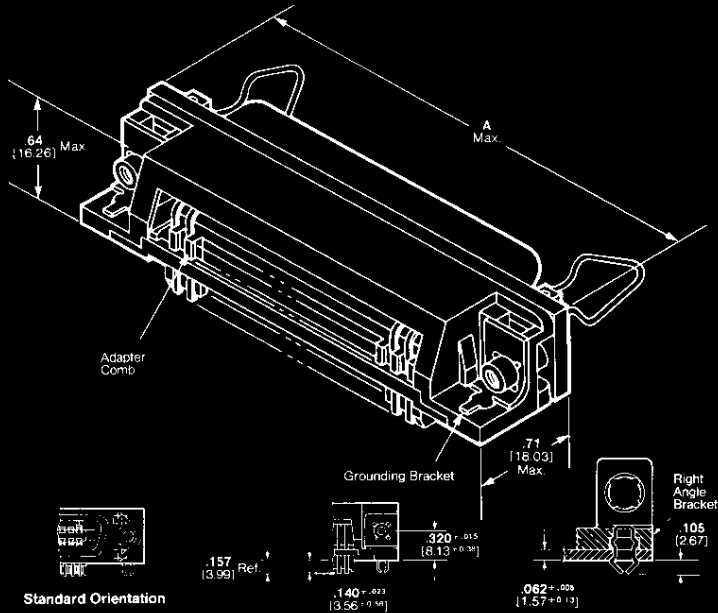
**Bail-Clip**—passivated stainless steel

**Receptacle Shield**—bright nickel over copper plated die casting

**Terminals**—selectively plated gold over nickel plated high strength copper alloy, tin plated tails

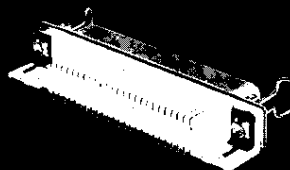
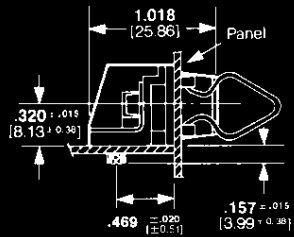
**Ground Bracket**—tin-lead plated carbon steel

**Note:** See page 42 for Suggested Panel Cutout, Rear Panel Mounting

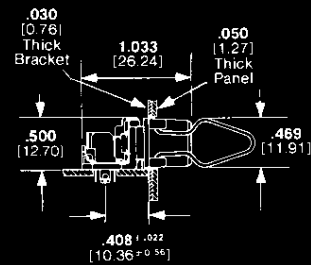


### Rear Panel Mounting Detail (Shown for reference only)

#### Standard Profile Connector



#### Low Profile Connector



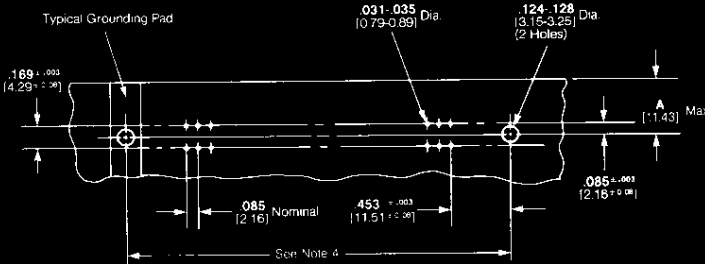
(See chart footnotes)

No. of Positions	Dimension A	Hardware Type	Screw Size	Part Numbers		
				Standard	Reverse	Low-Profile
24	2.205 56.01	Screw Lock	6-32	554923-2 <sup>1</sup>	554923-1 <sup>1</sup>	557724-1 <sup>9</sup>
36	2.715 68.96	Bail Lock	4-40	555119-1 <sup>1</sup> 555520-2 <sup>1,5</sup>	—	555139-1 <sup>7</sup> 555139-2 <sup>7</sup>
50	3.320 84.33	Bail Lock	4-40	555057-1 <sup>1,2,8</sup>	—	—
50	3.320 84.33	Screw Lock	4-40	557932-2 <sup>9</sup>	557932-1 <sup>9</sup>	—

### Special Low-Profile Connectors—Compatible with IBM PC AT and PC XT

No. of Positions	Dimension A	Hardware Type	Screw Size	Part Numbers	
				Standard	Reverse
50	3.310 84.07	Bail Lock	4-40	555149-1 <sup>2,3</sup>	555149-3 <sup>3</sup>

### Recommended Pc Board Mounting Dimensions



1. Maximum Pc board thickness is .062 [1.57]. A = .450
2. SCSI applicable
3. Maximum Pc board thickness is .062 [1.57]. A = .386
4. 1.842 ± .006 [46.79 ± 0.15] 24 Pos. 2.352 ± .006 [59.74 ± 0.15] 36 Pos. and 2.946 ± .006 [74.83 ± 0.15] 50 Pos.
5. Has drawn metal shield
6. Shielded, standard orientation, board lock, compatible with vapor phase & IR reflow
7. Shielded with ground bracket 4-40 thread (low profile)
8. For capacitive filtered version order P/N 93960-X. Refer to catalog 65696
9. Plated Backshell