

CHAMP 0.8mm Centerline Printed Circuit Board Connectors (Continued)

**Stacked Receptacle
Right Angle**

Part Number 787962-1 (2.08mm*)
Part Number 787962-2 (3.55mm*)

Material and Finish

Housing and Pin Spacer —

UL 94V-0 rated thermoplastic, black, SMT compatible

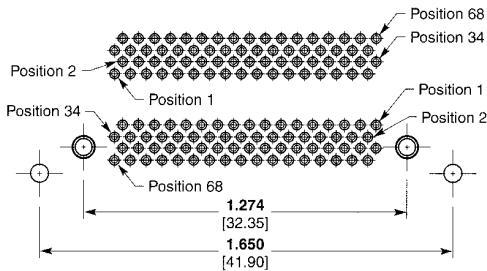
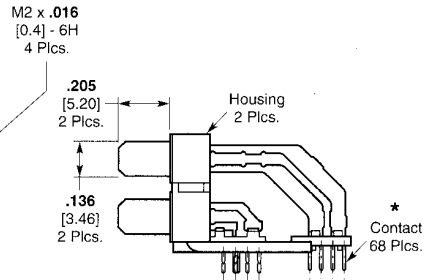
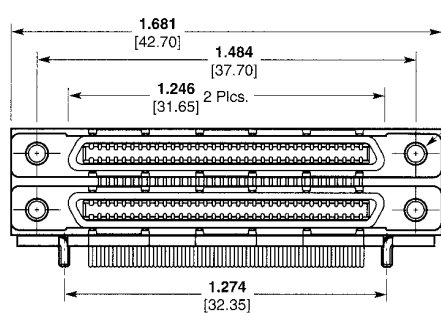
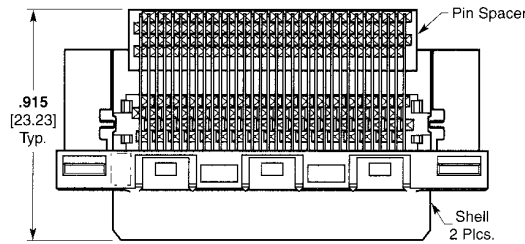
Inserts — UL 94V-0 rated thermoplastic, natural, SMT compatible

Shell — Steel, plated .000197 [0.00500] min. bright tin over .000098 [0.00250] min. copper

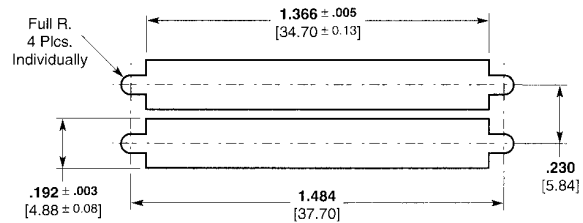
Contacts — Phosphor bronze, duplex plated .000033 [0.000076] min. gold over .000029 [0.00076] min. palladium nickel on mating end, .000148 [0.00375] min. bright tin-lead on solder end, all over .000050 [0.00127] min. nickel under plating

Boardlocks — Brass, plated .000148 [0.00375] min. bright tin-lead over .000050 [0.00127] min. nickel

Durability — 500 insertion cycles



Recommended PC Board Layout



Recommended Panel Cutout

Part Number	No. of Pos.	Mount Type	Mount Style	Style	Description/ Finish	Mating Part
787962-1	68	Thru Hole	Solder	Stacked	30µ" Au & Sn. Top D inverted (Kit 796063-1 has 4 screwlocks 787004-1)	787979-1, 787775-1, 787801-1
787962-2	68	Thru Hole	Solder	Stacked	30µ" Au & Sn. Top D inverted (Kit 796063-1 has 4 screwlocks 787004-1)	787979-1, 787775-1, 787801-1
1489050-1	68	Thru Hole	Solder	Stacked	30µ" Au & Sn. Top D inverted, no alignment posts	796064-1, 787979-1, 787775-1, 787801-1, 1364308-1
1364306-1	68	Thru Hole	Solder	Stacked	30µ" Au & Sn. Top D inverted, with cover. Kit 1489192-1 has 2 screwlocks 787004-1	796064-1, 787979-1, 787775-1, 787801-1, 1364308-1
1489232-1	68	Thru Hole	Solder	Stacked	30µ" Au & Sn. Top D inverted, no alignment posts, with cover	796064-1, 787979-1, 787775-1, 787801-1, 1364308-1
1489232-2	68	Thru Hole	Solder	Stacked	30µ" Au & Sn. Top D inverted, no alignment posts, with cover	796064-1, 787979-1, 787775-1, 787801-1, 1364308-1