

# RJ-45 WITH INTEGRATED 10/100 BASE Tx LAN MAGNETICS

RJmag™

## FEATURES

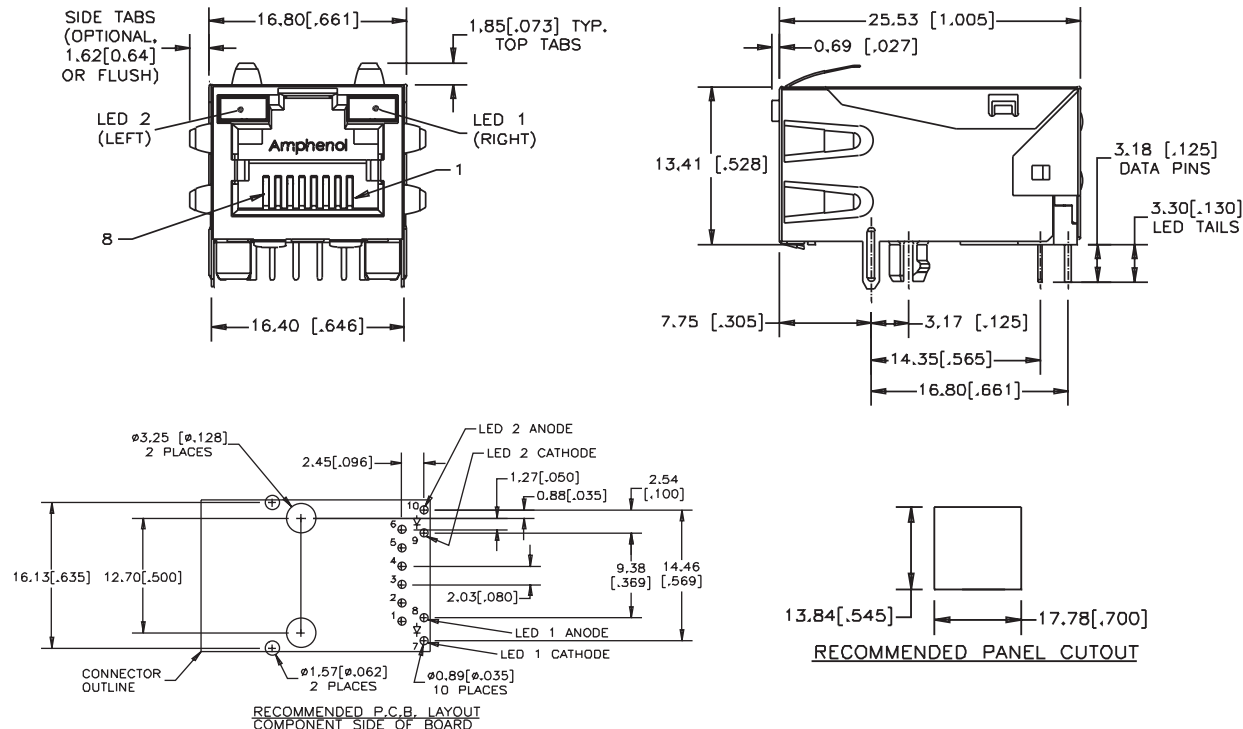
The RJmag is a family of modular jacks with integrated Ethernet Magnetics. The RJmag is available with integrated common mode chokes, isolation transformers, termination circuitry and two LED's per port.

- Reduces the required board space, component count, and manufacturing cost per port
- Eliminates the need for a separate Magnetics package between the RJ-45 and Transceiver
- Simplifies board layout
- Available in 1, 4, and 8 port configuration
- Complies with IEEE 802.3



## MECHANICAL

### RJMG-63xx-xx-01



Amphenol®

#### PINOUT

PIN	SYMBOL
1	Tct
2	Tx+
3	Tx-
4	Rx+
5	Rx-
6	Rct
7	LED1-
8	LED1+
9	LED2-
10	LED2+

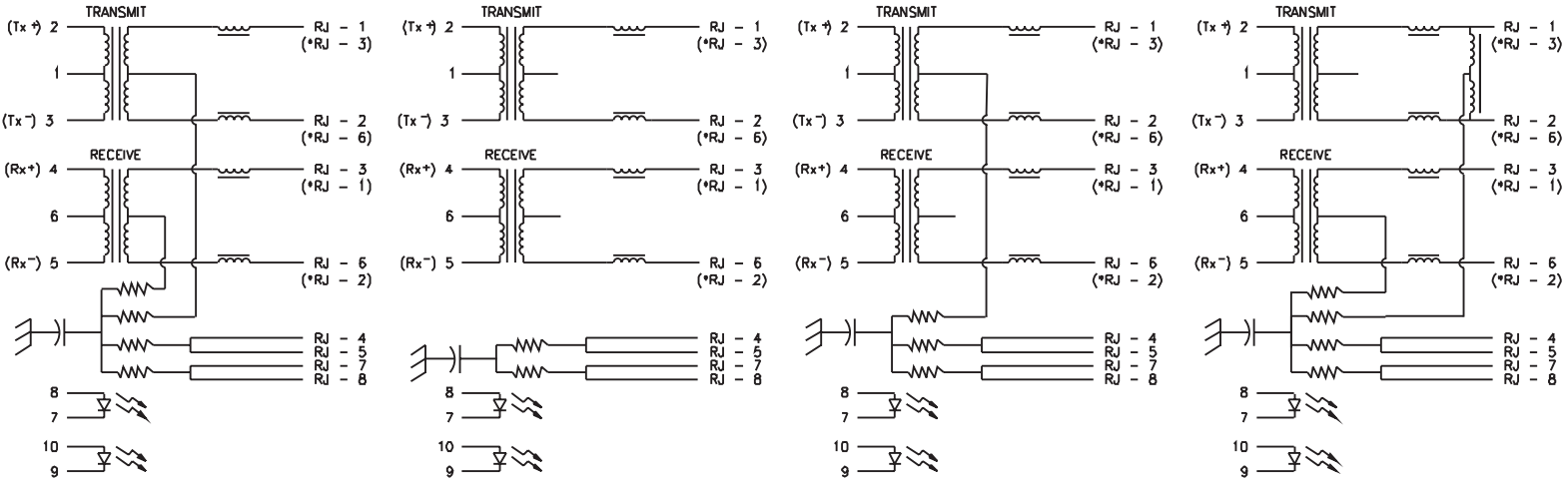
## MATERIAL SPECIFICATIONS

- Plastic housing:** thermoplastic polyester  
flammability rating UL 94V-0
- Contacts:** Phosphor bronze
- Plating:** 50 microinches [1.27 microns] min.  
nickel overall  
50 microinches [1.27 microns] min.  
gold on mating surfaces  
100 microinches [2.54 microns] min.  
tin/lead on contact tails
- Shield:** Copper alloy tin-lead plated

# ELECTRICAL PERFORMANCE

	Insertion Loss db MAX		Return Loss db MAX				Common to differential mode rejection dB min	Common to common mode rejection dB min	OCL H 100 KHz 8mA DC Bias	Crosstalk dB MAX		Hipot Vrms min
	1-10 MHz	1-100 MHz	1-10 MHz	1-30 MHz	30-60 MHz	60-100 MHz	0-100 MHz	0-100 MHz		Pair to pair	LED to Tx/Rx	
										0-100 MHz		
10/100 Base T Electrical Characteristic	-	1.0	-	-18	-16	-10	35	38	400	-35	-50	1500
10 Base T Electrical Characteristic	1.0	-	-16	-	-	-	35	38	-	-35	-50	1500

# SCHEMATIC



SCHEMATIC (RJMG-6XXX-3X-01)

SCHEMATIC (RJMG-6XXX-4X-01, RJMG-6XXX-5X-01)

SCHEMATIC (RJMG-6XXX-6X-01)

SCHEMATIC (RJMG-6XXX-7X-01)

# PART NUMBERING SYSTEM

RJMG - 6 3 1 2 - 7 1 - 0 1

- LED 1 (Right Side):**
- 0 - LED hole blocked
  - 1 - Green
  - 2 - Yellow
  - 3 - Red
  - 4 - Bi-color Green/Yellow
  - 5 - Bi-color Red/Green
  - 6 - Bi-color Green/Orange
  - 6 - Bi-color Red/Yellow

**LED 2 (Left Side):**  
See LED 1 options

- Number of Ports**
- 01 - 1 Port
  - 04 - 4 Port
  - 08 - 8 Port

- Turns Ratio (Transmit)**
- 1 - 1:1
  - 2 - 1.25:1
  - 3 -  $\sqrt{2}$ :1
  - 4 - 2:1
  - 5 -  $1:\sqrt{2}$  (10 Base T only)
  - 6 - 1:2 (10 Base T only)

- Termination Option:**
- 3 - 4 x 75 ohm resistors, 68 pF cap
  - 4 - 2 x 0 ohm resistors, 68 pF cap
  - 5 - 2 x 75 ohm resistors, 68 pF cap
  - 6 - 3 x 75 ohm resistors, 1000 pF cap
  - 7 - 4 x 75 ohm resistors, 1000 pF cap (with transmit shunt choke)
  - 8 - 4 x 75 ohm resistors, 1000 pF cap
- (Other terminations are available upon request.)

**Amphenol®**  
Data / Telecom Products

20 Melford Drive, Scarborough, Ontario  
Canada M1B 2X6

Telephone: (416) 291-4401  
Facsimile: (416) 754-8668

Email: sales@amphenolcanada.com  
Website: www.rjmag.com

© Amphenol Canada Corp.  
Specifications subject to change without notice.  
Printed in Canada 02/00  
Designed by K Jasper Marketing Communications Inc.  
CATALOGUE # ADT 00015/00-01

# RJmag OVER STACKED USB

RJ-45 WITH INTEGRATED 10/100 BASE TX LAN MAGNETICS OVER A STACKED TYPE A USB

RJmag™

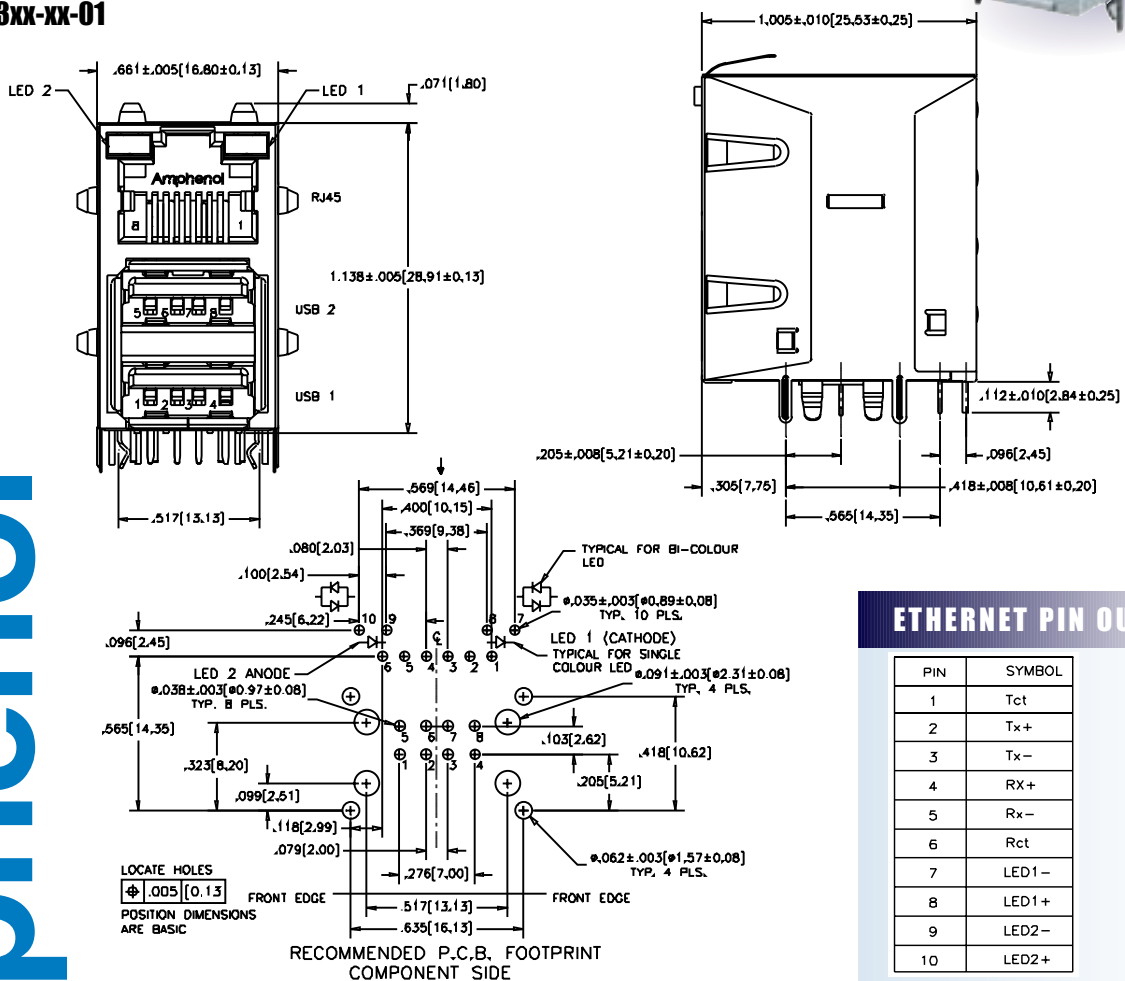
## FEATURES

The RJmag is a family of modular jacks with integrated Ethernet Magnetics. The RJmag is available with integrated common mode chokes, isolation transformers, termination circuitry and two LED's per port. The RJmag over USB was designed to save board and panel space on PC motherboard applications.

- Reduces the required board space, component count, and manufacturing cost per port
- Eliminates the need for a separate Magnetics package between the RJ-45 and Transceiver
- Simplifies board layout
- Complies with IEEE 802.3

## MECHANICAL

### RJMG-73xx-xx-01



## ETHERNET PIN OUT

PIN	SYMBOL
1	Tct
2	Tx+
3	Tx-
4	Rx+
5	Rx-
6	Rct
7	LED1-
8	LED1+
9	LED2-
10	LED2+

## MATERIAL SPECIFICATIONS

**Plastic housing:** thermoplastic polyester flammability rating UL 94V-0  
**Contacts:** Phosphor bronze  
**Plating:** 50 microinches [1.27 microns] min. nickel overall  
 50 microinches [1.27 microns] min. gold on RJ mating surfaces  
 100 microinches [2.54 microns] min. tin/lead on contact tails  
**Shield:** Copper alloy tin-lead plated

Telephone: (416) 291-4401

Facsimile: (416) 754-8668

Email: sales@amphenolcanada.com

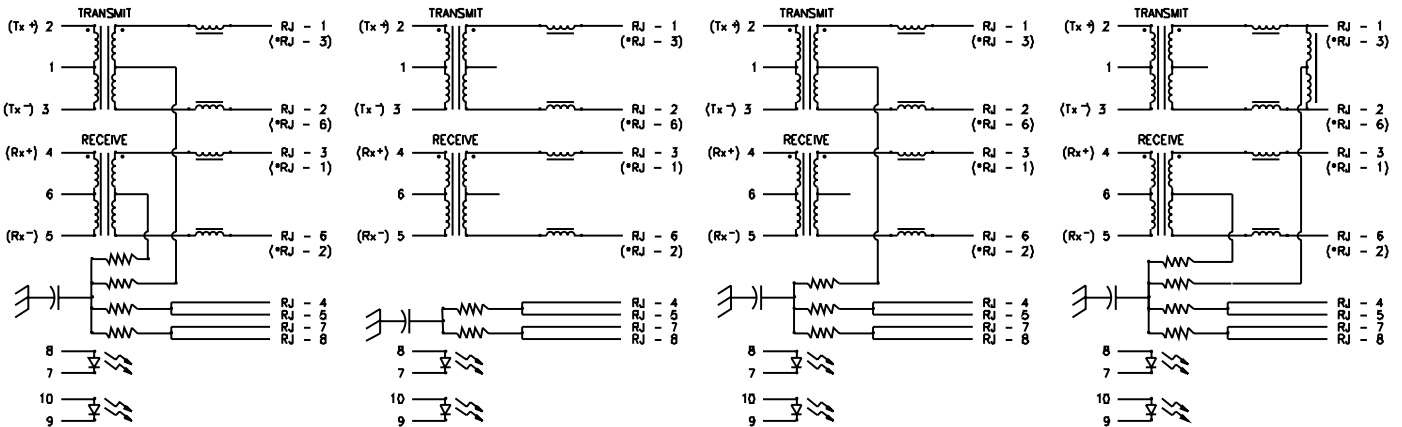
www.rjmag.com

Amphenol®

## ELECTRICAL PERFORMANCE

	Insertion Loss db MAX		Return Loss db MAX				Common to differential mode rejection dB min	Common to common mode rejection dB min	OCI $\mu$ H 100 KHz 8mA DC Bias	Crosstalk dB MAX		Hipot Vrms min
	1-10 MHz	1-100 MHz	1-10 MHz	1-30 MHz	30-60 MHz	60-100 MHz	0-100 MHz	Pair to pair		LED to Tx/Rx		
								0-100 MHz				
10/100 Base T Electrical Characteristic	-	1.0	-	-18	-16	-10	35	38	400	-35	-50	1500
10 Base T Electrical Characteristic	1.0	-	-16	-	-	-	35	38	-	-35	-50	1500

## SCHEMATIC



SCHEMATIC (RJMG-73xx-3x-01)  
SCHEMATIC (RJMG-73xx-8x-01)

SCHEMATIC (RJMG-73xx-4x-01, RJMG-73xx-5x-01)

SCHEMATIC (RJMG-73xx-6x-01)

SCHEMATIC (RJMG-73xx-7x-01)

## PART NUMBERING SYSTEM

RJMG - 7 3 X X - X X - 0 1

### LED 1 (Right Side):

- 0 - LED hole blocked
- 1 - Green
- 2 - Yellow
- 3 - Red
- 4 - Green/Yellow
- 5 - Red/Green
- 6 - Green/Orange
- 7 - Red/Yellow

### LED 2 (Left Side):

See LED 1 options

### Number of Ports

- 01 - 1 Port

### Turns Ratio (Transmit)

- 1 - 1:1
- 2 - 1.25:1
- 3 -  $\sqrt{2}$ :1
- 4 - 2:1
- 5 -  $1:\sqrt{2}$  (10 Base T only)
- 6 - 1:2 (10 Base T only)

### Termination Option:

- 3 - 4 x 75 ohm resistors, 68 pF cap
- 4 - 2 x 0 ohm resistors, 68 pF cap
- 5 - 2 x 75 ohm resistors, 68 pF cap
- 6 - 3 x 75 ohm resistors, 68 pF cap
- 7 - 4 x 75 ohm resistors, 1000 pF cap (transmit shunt choke)
- 8 - 4 x 75 ohm resistors, 1000 pF cap

**Amphenol**<sup>®</sup>

Data / Telecom Products

20 Melford Drive, Scarborough, Ontario  
Canada M1B 2X6

Telephone: (416) 291-4401  
Facsimile: (416) 754-8668

Email: sales@amphenolcanada.com  
Website: www.rjmag.com

© Amphenol Canada Corp.  
Specifications subject to change without notice.  
Printed in Canada 02/00  
Designed by K Jasper Marketing Communications Inc.  
CATALOGUE # ADT 00016/00-01

# RJmag-Gigabit

## RJ-45 WITH INTEGRATED 10/100/1000 BASE TX LAN MAGNETICS

RJ  
mag™  
GIGABIT

### FEATURES

The RJmag is a family of modular jacks with integrated Ethernet Magnetics. The RJmag is available with integrated common mode chokes, isolation transformers, termination circuitry and two LED's per port.

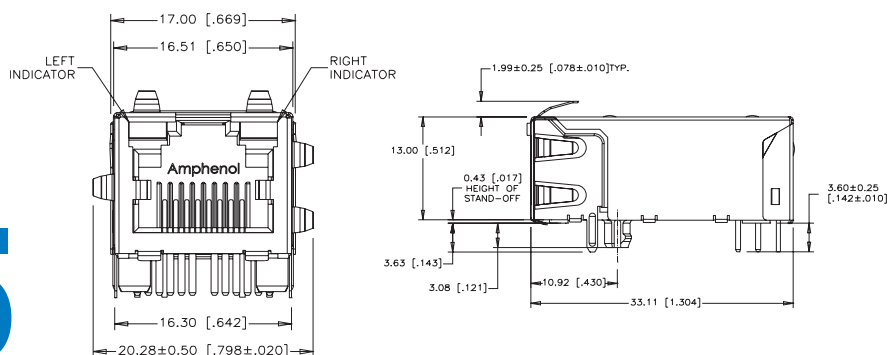
- Reduces the required board space, component count, and manufacturing cost per port
- Eliminates the need for a separate Magnetics package, terminations and LEDs between the RJ-45 and Transceiver
- Simplifies board layout
- Complies with IEEE 802.3
- Compatible with a variety of Gigabit Ethernet transceiver ICs and 10/100 Base TX transceiver ICs
- Storage temperature -40°C to +85°C



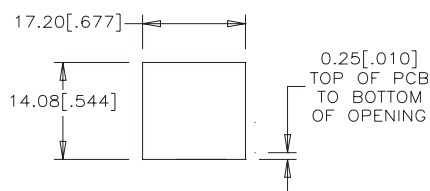
### MECHANICAL

#### RJMG-B3xx-x1-01

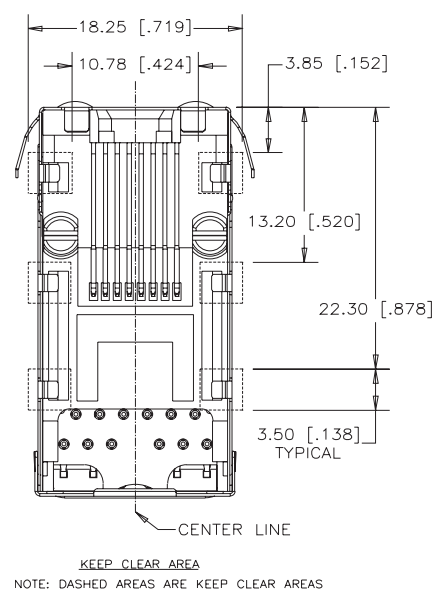
#### SHIELDED



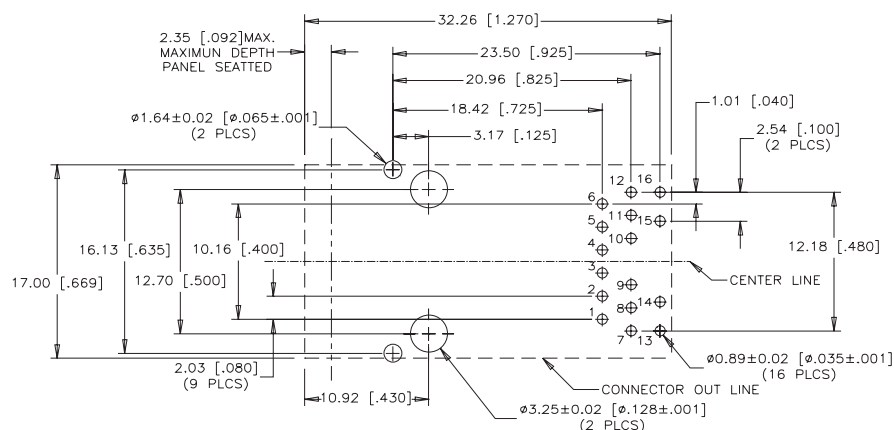
#### Recommended Panel Cutout



#### KEEPOUT AREA



#### RECOMMENDED P.C.B. LAYOUT WITH LEDs



Amphenol®

# ELECTRICAL PERFORMANCE

Part Number	Insertion Loss db max	Return Loss db max		Common to Differential Mode Rejection dB min	Common to Common Mode Rejection dB min	Crosstalk TX/RX dB min	Crosstalk TX/RX to LED's dB max	Hipot Vrms min
	0.3 MHz-100 MHz	0.5 MHz to 40 MHz	40 MHz to 100 MHz	100 KHz to 100 MHz	0.3 MHz to 100 MHz			
10/100 /1000 Base T Electrical Characteristic	-1.0	-16	12 - 20 log (f/80 MHz)	-30	-30	29 - 16.8 log (f/100)	-45	1500

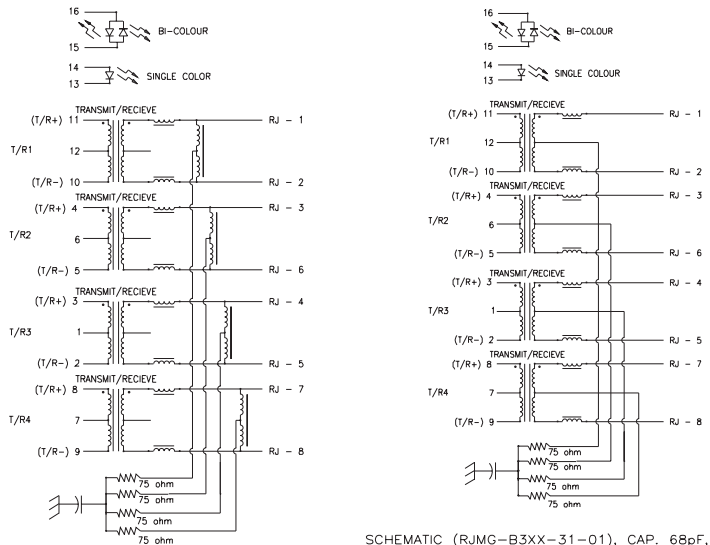
# MATERIAL SPECIFICATIONS

Plastic housing: Thermoplastic Polyester  
 Colour: Black  
 Flammability Rating: UL94V-0

Contacts (RJMag): Phosphor bronze  
 Plating: 50 Microinches [1.27 Microns] Gold over 50 Microinches [1.27 Microns] Min. nickel on mating surfaces  
 100 Microinches [2.54] tin/lead alloy on contact tails

Shield: Copper Alloy  
 Plating: tin-lead alloy

# SCHEMATICS



SCHEMATIC (RJMG-B3XX-71-01), CAP. 1000pf, 2Kv

SCHEMATIC (RJMG-B3XX-31-01), CAP. 68pF, 2KV  
 SCHEMATIC (RJMG-B3XX-81-01), CAP. 1000pF, 2KV

# PART NUMBERING SYSTEM

**RJMG - B 3 1 2 - 7 1 - 0 1**

Shield:  
3- Shielded

**LED 1 (Right Side):**

- 1 - Green
- 2 - Yellow
- 3 - Red
- 4 - Bi-color Green/Yellow
- 5 - Bi-color Red/Green
- 6 - Bi-color Green/Orange
- 7 - Bi-color Red/Yellow

**LED 2 (Left Side):**

See LED 1 options

Number of Ports:  
01 - 1 Port

Turns Ratio (Transmit):  
1 - 1:1

**Termination Option:**

- 3 - 4 x 75 ohm resistors, 68 pF cap (2Kv)
- 7 - 4 x 75 ohm resistors, 1000 pF cap (2Kv) (transmission shunt choke)
- 8 - 4 x 75 ohm resistors, 1000 pF cap (2Kv)



Data / Telecom Products

20 Melford Drive, Scarborough, Ontario  
 Canada M1B 2X6

Telephone: (416) 291-4401  
 Facsimile: (416) 754-8668

Email: sales@amphenolcanada.com  
 Website: www.rjmag.com

© Amphenol Canada Corp.  
 Specifications subject to change without notice.  
 Printed in Canada  
 Designed by Prestige Graphics  
 CATALOGUE #ADT 0018R0/01-06