

INTEGRATED CONNECTOR MODULES

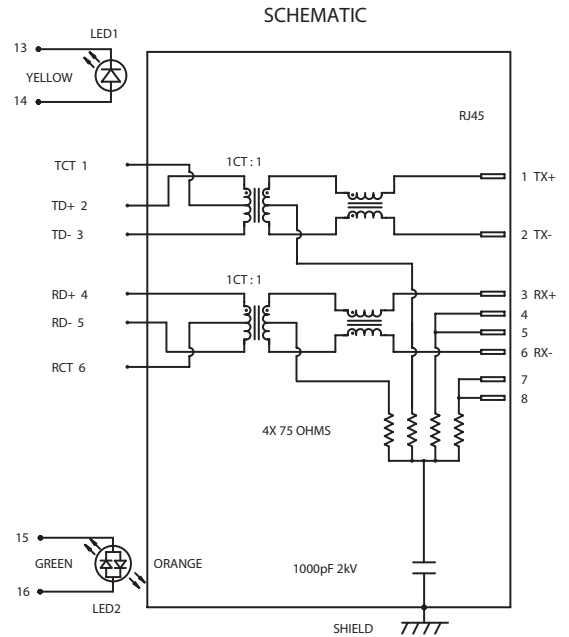
0821-1X1T-36 10/100Base-TX Single Port Extended Temp MagJack® with LEDs

- Extended operating temperature -40° to +85° C

LED1 POLARITY			LED2 POLARITY		
PIN 13	PIN 14	COLOR	PIN 15	PIN 16	COLOR
-	+	YELLOW	+	-	ORANGE
/	/	/	-	+	GREEN

ELECTRICAL CHARACTERISTICS @ 25°C

TURNS RATIO				
TX		1CT:1		
RX		1CT:1		
OCL @ 100kHz/100mVRMS 8mA DC BIAS			350 #MIN.	
INS. LOSS				
1MHz TO 100MHz			-1.0 dB MAX	
RET. LOSS (MIN)				
1MHz-30MHz			-18 dB	
30MHz-60MHz			-18+20LOG(F/30MHz) dB	
60MHz-80MHz			-12 dB	
CROSS TALK (TX - RX)				
500kHz-100MHz			-35 dB MIN	
CM TO CM REJ				
100kHz-100MHz			-30 dB MIN	
CM TO DM REJ				
100kHz-100MHz			-40 dB MIN	
HIPOT (Isolation Voltage):			1500 Vrms	
OPERATING TEMPERATURE:			-40°C TO 85°C	
LED 1				
VF (FORWARD VOLTAGE)	IF=20mA	YELLOW	2.1V TYP.	
I D (DOMINANT WAVELENGTH)	IF=20mA	YELLOW	590nm TYP.	
LED 2				
VF (FORWARD VOLTAGE)	IF=20mA	GREEN	2.2V TYP.	
I D (DOMINANT WAVELENGTH)	IF=20mA	ORANGE	2.0V TYP.	
		GREEN	565nm TYP.	
		ORANGE	610nm TYP.	



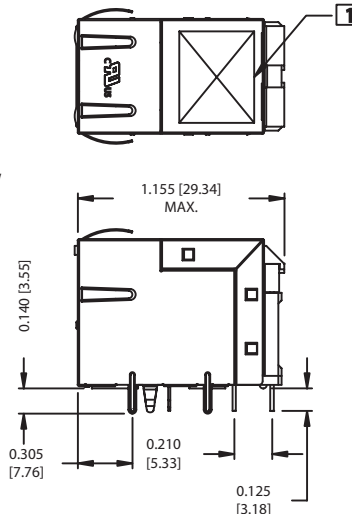
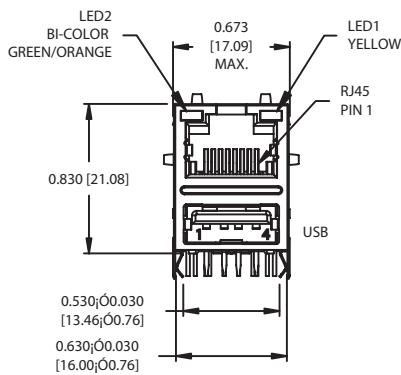
USB ELECTRICAL:

INSULATION RESISTANCE:	1000 MEG (MIN)
CONTACT RESISTANCE:	25 MILLI (MAX)
DIELECTRIC WITHSTANDING:	750 VAC

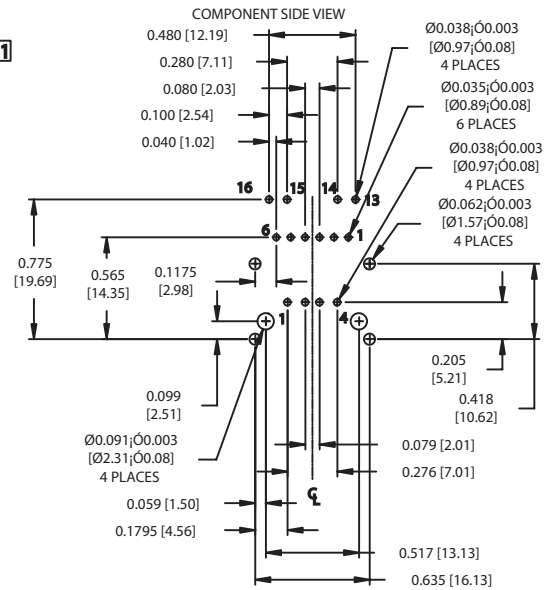
INTEGRATED CONNECTOR MODULES

0821-1X1T-36 10/100Base-TX Single Port Extended Temp MagJack® with LEDs

MECHANICAL SPECIFICATION



RECOMMENDED PCB FOOTPRINT



RJ45 MECHANICAL:

PLASTIC HOUSING:

CONTACT PLATING:

PINS:

SOLDERABILITY:

METAL SHIELD:

THERMOPLASTIC PBT

FLAMMABILITY RATING UL 94V-0

50 MICRO-INCH HARD GOLD PLATING

TIN-COATED COPPER WIRE, DIA 0.018 INCH.

PER MIL STD. 202, METHOD 208.

TIN/LEAD PLATED ON COPPER ALLOY.

USB MECHANICAL:

MATING FORCE:

UNMATING FORCE:

CONTACT:

35 NEWTONS MAXIMUM

10 NEWTONS MINIMUM

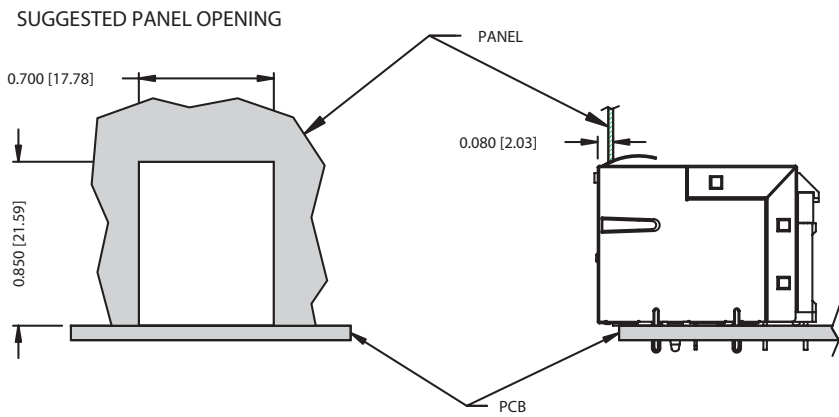
PROSPER BRONZE GOLD PLATING ON

CONTACT AREA AND TIN ON SOLDER TAIL.

1. MARK PART WITH MFG. LOGO, MFG. NAME, PART NUMBER, AND DATE CODE.

UL RECOGNIZED - FILE #E196366 AND E169987.

INTEGRATED CONNECTOR MODULES
0821-1X1T-36 10/100Base-TX Single Port Extended Temp MagJack® with LEDs



NOTES:

THE DISTANCE OF PANEL INSIDE SURFACE RELATIVE TO FRONT SURFACE OF PART IS ONLY A SUGGESTION.
 IN CASE THIS DISTANCE IS DIFFERENT, THE REQUIRED PANEL OPENING DIMENSIONS CHANGE ACCORDINGLY.

PACKING INFORMATION

PACKING TRAY : 0200-9999-F2 (TOP)
 0200-9999-F3 (BOTTOM)

PACKING QUANTITY : 60 PCS FINISHED GOODS PER TRAY
 8 TRAYS (480 PCS FINISHED GOODS) PER CARTON BOX

NOTE : CARDBOARDS ARE PLACED BETWEEN LAYERS OF PACKING TRAY INSIDE CARTON BOX
 (INCLUDE THE UPPERMOST AND LOWERMOST TRAY)