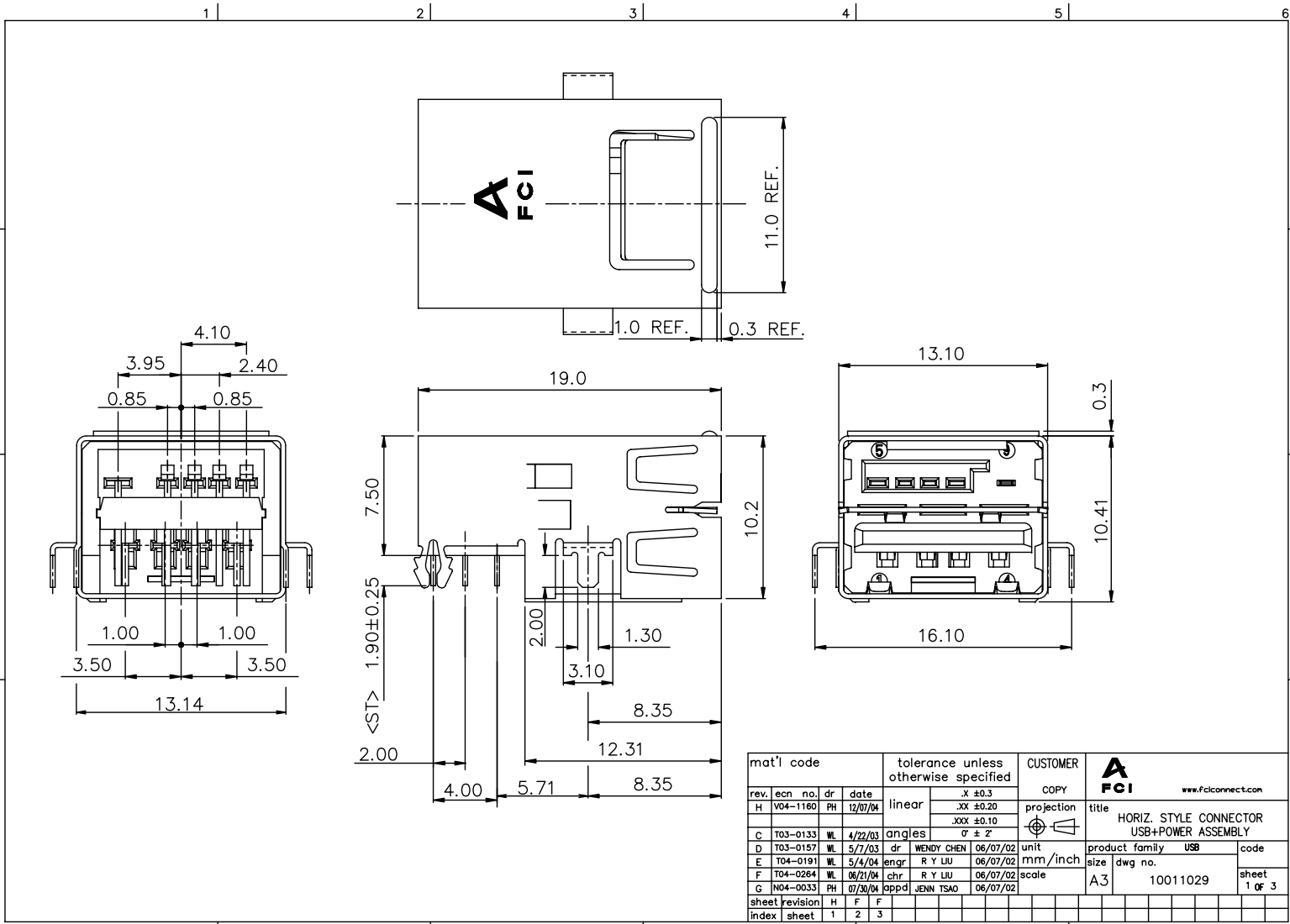


This data, including drawings, specifications, or communications, is the property of FCI and is to be used solely for the purpose for which it is provided. No part of this data may be reproduced or transmitted in any form or by any means electronic or mechanical, including photocopying, recording, or by any information storage and retrieval system, without written permission from the proprietor.

All rights are reserved. Reproduction or issue in any form or by any means electronic or mechanical, including photocopying, recording, or by any information storage and retrieval system, without written permission from the proprietor.

Toute donnée, y compris les dessins, spécifications ou communications, est la propriété de FCI et est destinée à être utilisée uniquement à l'effet pour lequel elle est fournie. Aucune partie de ces données ne doit être reproduite ou transmise sous quelque forme que ce soit sans autorisation écrite du propriétaire.

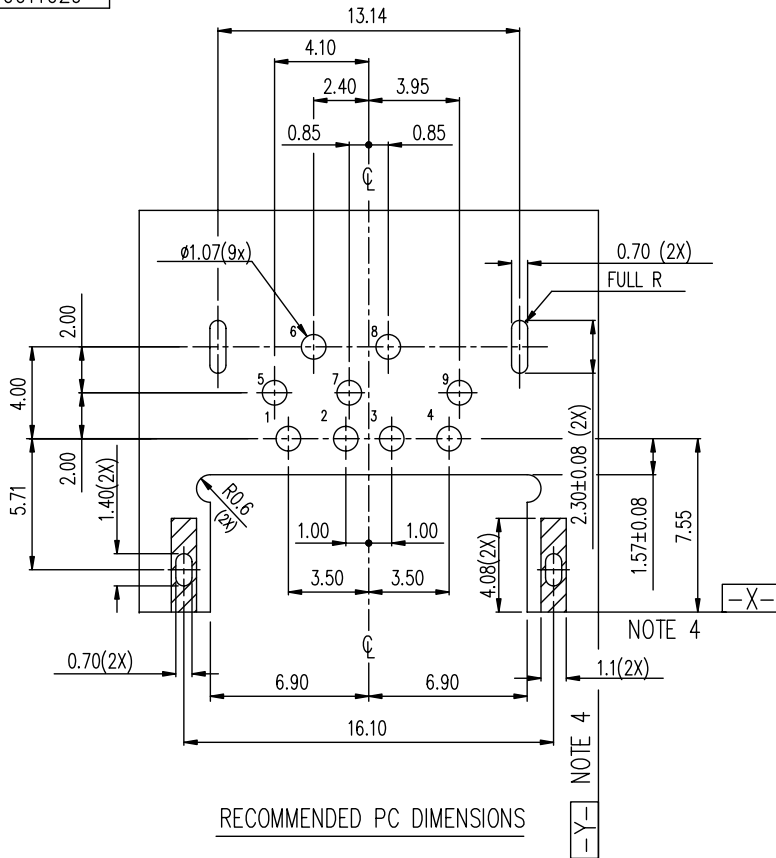
All rights are reserved. Reproduction or issue in any form or by any means electronic or mechanical, including photocopying, recording, or by any information storage and retrieval system, without written permission from the proprietor.



mat'l code		tolerance unless otherwise specified		CUSTOMER		FCI		www.fciconnect.com	
rev.	ecn no.	dr	date	linear	.X 40.3	COPY		projection	
H	V04-1160	PH	12/07/04		.XX 40.20			title	
					.XXX 40.10			HORIZ. STYLE CONNECTOR	
					0° ± 2'			USB	
C	T03-0133	ML	4/22/03	angles				product family	
D	T03-0157	ML	5/7/03	dr	WENDY CHEN	06/07/02			code
E	T04-0191	ML	5/4/04	enrg	R Y LIU	06/07/02			size
F	T04-0264	ML	06/21/04	chr	R Y LIU	06/07/02			dwg no.
G	N04-0033	PH	07/30/04	app'd	JENN TSAO	06/07/02			scale
sheet	revision	H	F	F					A3
index	sheet	1	2	3					10011029
									1 of 3

PDM: Rev:H STATUS: **Released** Printed: D:\AS\915049

PRODUCT NO.
10011029



NOTES:

- MATERIAL:
HOUSINGS : HIGH TEMP ENGINEERING PLASTIC UL 94V-0
SHIELDS: HIGH STRENGTH COPPER ALLOY,
PLATING: NICKEL

TERMINALS: HIGH STRENGTH COPPER ALLOY,
PLATING: NICKEL UNDERPLATING
CONTACT AREA: 30 Au MIN.
TAIL AREA: TIN/LEAD OR TIN SEE PRODUCT NUMBER CODE
- USB SECTION CONFORMS TO USB 2.0 SPECIFICATION
- RECOMMEND PC BOARD THICKNESS SEE P/N CODE
- DATUM AND BASIC DIMENSIONS ESTABLISHED BY CUSTOMER
- RECOMMENDED PCB THICKNESS 1.2mm.
- DENOTED <ST> REQUIREMENT CPK.
- P/N 10011029-XXXXBP FOR TUBES PACKAGING.
-XXXXRP FOR TAPE & REEL PACKAGING.
- THIS PRODUCT IS MADE UNDER LICENSE OF IBM U.S.
PATENT NO. 6334793

CONFIDENTIAL

mat'l code		tolerance unless otherwise specified		CUSTOMER COPY		 www.fciconnect.com	
rev.	ecn no.	dr	date	linear	.X ±0.30	projection	title
F					.XX ±0.20		HORIZ. STYLE CONNECTOR USB+POWER ASSEMBLY
					.XXX ±0.10		product family
				angles	0° ± 2°	unit	code
		dr	WENDY CHEN 06/07/02			mm/inch	
		enrg	R Y LIU 06/07/02			size	dwg no.
		chr	R Y LIU 06/07/02			A3	10011029
		appd	JENN TSAO 06/07/02			scale	sheet
sheet	revision						2 of
index	sheet						

PDM: Rev:H STATUS: Released Printed: Dec 09, 2004

All rights reserved. Reproduction or issue in third parties in any form without the written authority of FCI is prohibited. Property of FCI ELECTRONICS. Copyright BERG ELECTRONICS by

FCI

PRODUCT NO.
10011029

PRODUCT NUMBER CODE

10011029- X X X X X P LF

BASE PRODUCT NUMBER

HOUSING COLOR + SHELL PLATING OPTIONS
1 - BLACK

SHELL PLATING OPTION

0 - NICKEL PLATING ONLY

SHELL OPTIONS

2 - NO BACK SHIELD

TERMINAL PLATING OPTION

0 - 50u" Ni UNDERPLATE
30u" AU CONTACT AREA
100u" TIN/LEAD TAIL AREA

1 - 50u" Ni UNDERPLATE
30u" AU CONTACT AREA
100u" TIN TAIL AREA



PACKAGING OPTIONS

B - TUBES
R - TAPE & REEL

WITH DATE CODE

LEAD FREE MARK

WHEN TERMINAL PLATING OPTION IS 1

mat'l code		tolerance unless otherwise specified		CUSTOMER COPY		 www.fciconnect.com	
rev.	ecn no.	dr	date	linear	.X ±0.20	projection	title
F					.XX ±0.10		HORIZ. STYLE CONNECTOR
					.XXX ±0.05		USB+POWER ASSEMBLY
				angles	0 ± 2	product family	code
		dr	WENDY CHEN 06/07/02	unit	mm/inch	USB	
		enrg	R Y LIU 06/07/02	size	dwg no.		
		chr	R Y LIU 06/07/02	scale	A3	10011029	sheet 3 of 3
		appd	JENN TSAO 06/07/02				
sheet	revision						
index	sheet						

PDM: Rev:H STATUS: Released Printed: Dec 09, 2004

All rights strictly reserved. Reproduction or issue in third parties in any form without the written authority from the Proprietor.
 Property of © BERG ELECTRONICS.
 Copyright BERG ELECTRONICS by

