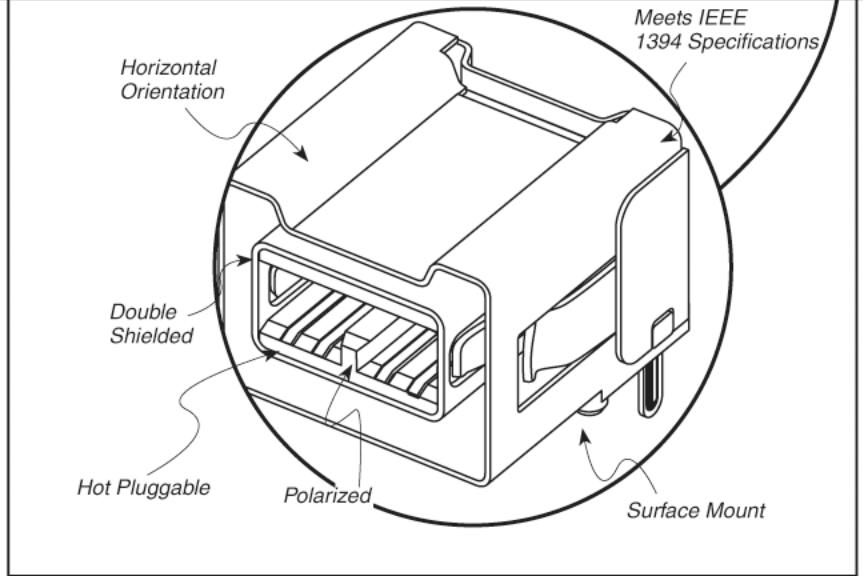


# FIREWIRE INTERFACES FSB-09 SERIES

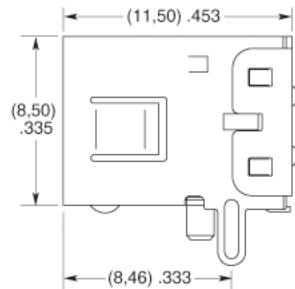
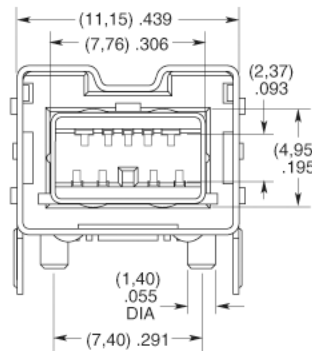
## SPECIFICATIONS

For complete specifications and recommended PCB layouts see [www.samtec.com?FSB-09](http://www.samtec.com?FSB-09)

- Insulator Material:**  
High Temperature Thermoplastic
- Contact Material:**  
Phosphor Bronze
- Shell Material:**  
Copper Alloy
- Plating:**  
Gold on Contacts, Nickel on Shell, Tin on Tails
- Operating Temp Range:**  
-40°C to +60°C
- Current Rating:**  
1.5 A per contact
- Voltage Rating:**  
30 VAC
- Contact Resistance:**  
50 mΩ max
- Minimum Cycles:**  
1500
- Packaging:**  
Packaged and shipped in Bulk Packaging Trays; Trays suitable for automation are available upon request.
- RoHS Compliant:**  
Yes



FSB	NO. OF CONTACTS	PLATING	COLOR	ORIENTATION
	-09	-S = 30μ" (0,76μm) Gold on Mating Area, Tin on Tails	-B = Black -W = White	-RS = Horizontal (Surface Mount)



Due to technical progress, all designs, specifications and components are subject to change without notice.

[WWW.SAMTEC.COM](http://WWW.SAMTEC.COM)

SAMTEC USA • Tel: 1-800-SAMTEC-9 or 812-944-6733 • Fax: 812-948-5047 SAMTEC SILICON VALLEY • Tel: 408-395-5900 • Fax: 408-395-1520 SAMTEC UK • Tel: 01236 739292 • Fax: 01236 727113  
 SAMTEC GERMANY • Tel: +49 (0) 89 / 89460-0 • Fax: +49 (0) 89 / 89460-299 SAMTEC FRANCE • Tel: 01 60 95 06 60 • Fax: 01 60 95 06 61 SAMTEC ITALY • Tel: 39 039 6890337 • Fax: 39 039 6890315  
 SAMTEC SCANDINAVIA • Tel: +46-84477280 • Fax: +46-87420413 SAMTEC ISRAEL • Tel: 972-3-7526600 • Fax: 972-3-7526690 SAMTEC INDIA • Tel: 91 80 306 21 612 • Fax: 91 80 4152 8187  
 SAMTEC ASIA PACIFIC • Tel: 65 6745-5955 • Fax: 65 6841-1502 SAMTEC JAPAN • Tel: 045-475-1385 • Fax: 045-475-1340 SAMTEC CHINA • Tel: 86-21-61103766 • Fax: 86-21-53854047 SAMTEC TAIWAN • Tel: 886 02 2698-3367 • Fax: 886 02 8698-2159  
 SAMTEC HONG KONG • Tel: 852 2690 4851 • Fax: 852 2690 4842 SAMTEC KOREA • Tel: 82-31-717-5685 • Fax: 82-31-717-5681 SAMTEC SOUTH AFRICA • Tel: 27 11 4528112 • Fax: 27 86 6714432 SAMTEC ANZ • Tel: 613 9512 7747 • Fax: 613 9512 7745