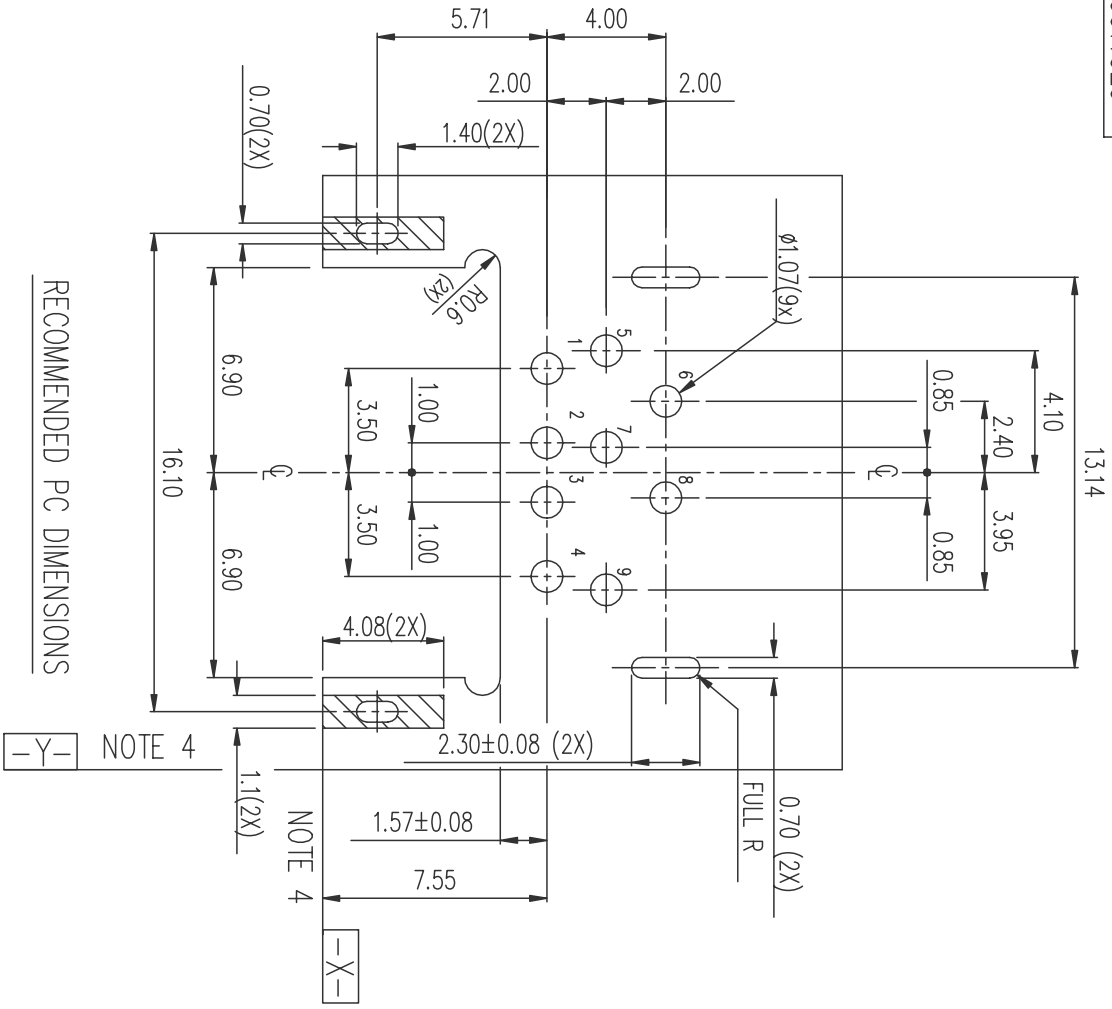


mat'l code	tolerance unless otherwise specified		CUSTOMER		title	
rev. eon no.	dr	date	lineor	copy	FCI	
H V04-1160	PH	12/07/04	.XX ±0.20	projection	HORIZ. STYLE CONNECTOR	
J N06-0259	HB	10/12/06	.XX ±0.10	angles	USB+POWER ASSEMBLY	
D T03-0157	WL	5/7/03	dr	WENDY CHEN	06/07/02	unit
E T04-0191	WL	5/4/04	engr	R Y LIU	06/07/02	mm /inch
F T04-0264	WL	06/21/04	chr	R Y LIU	06/07/02	scale
G N04-0033	PH	07/30/04	dppd	JENN TSMO	06/07/02	scale
sheet revision	J	G	G			code
index sheet	1	2	3			product family
						size
						dwg no.
						10011029
						sheet
						1 of 3

WAS SK53049

PRODUCT NO.
10011029



RECOMMENDED PC DIMENSIONS

- NOTES:
1. MATERIAL: HOUSINGS : HIGH TEMP ENGINEERING PLASTIC UL 94V-0 SHIELDS: HIGH STRENGTH COPPER ALLOY, PLATING: NICKEL
 2. USB SECTION CONFORMS TO USB 2.0 SPECIFICATION
 3. RECOMMEND PC BOARD THICKNESS SEE P/N CODE
 4. DATUM AND BASIC DIMENSIONS ESTABLISHED BY CUSTOMER
 5. RECOMMENDED PCB THICKNESS 1.2mm.
 6. DENOTED <ST> REQUIREMENT CPK.
 7. P/N 10011029-XXXXRP FOR TAPE & REEL PACKAGING.
 8. THIS PRODUCT IS MADE UNDER LICENSE OF IBM U.S. PATENT NO. 6334793

CONFIDENTIAL

mat'l code	tolerance unless otherwise specified	CUSTOMER COPY	title	product family	code
rev. eon no. dr. date	.X ±0.30		HORIZ. STYLE CONNECTOR	USB	
G	linear .XX ±0.20		USB+POWER ASSEMBLY		
	angles .XXX ±0.10				
	dr WENDY CHEN/06/07/02	projection	product family	code	
	engr R Y LIU	mm/Inch	size	dwg no.	sheet
	chr R Y LIU	scale	A3	10011029	2 of
sheet revision	pppl JENN TSAO	06/07/02			
index sheet					

1 2 3 4 5 6

WAS SK53049



PRODUCT NO.
10011029

PRODUCT NUMBER CODE

10011029-

X

X

X

X

X

P

LF

BASE PRODUCT NUMBER

HOUSING COLOR + SHELL PLATING OPTIONS

1 - BLACK

SHELL PLATING OPTION

0 - NICKEL PLATING ONLY

SHELL OPTIONS

2 - NO BACK SHIELD

TERMINAL PLATING OPTION

0 - 50u" NI UNDERPLATE

30u" AU CONTACT AREA

100u" TIN/LEAD TAIL AREA

1 - 50u" NI UNDERPLATE

30u" AU CONTACT AREA

100u" TIN TAIL AREA

PACKAGING OPTIONS

R - TAPE & REEL

WITH DATE CODE

LEAD FREE MARK

WHEN TERMINAL PLATING OPTION IS 1

mat'l code	tolerance unless otherwise specified	CUSTOMER COPY	title	product family	code
rev. econ no. dr. date	.X ±0.20		HORIZ. STYLE CONNECTOR	USB	sheet 3 of 3
G	linear .XX ±0.10		USB+POWER ASSEMBLY		
	xxxx ±0.05				
	angles 0 ±.2°				
	dr WENDY CHEN/06/07/02	projection	product size		
	engr R Y LIU	mm/Inch	10011029		
	chr R Y LIU	scale			
	pppd JENN TSAO	06/07/02			
sheet revision					
index sheet					

1 2 3 4 5 6

WAS SK53049