

4

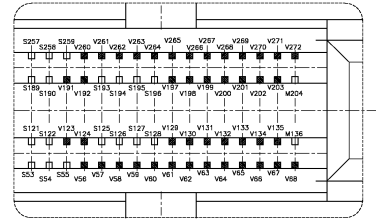
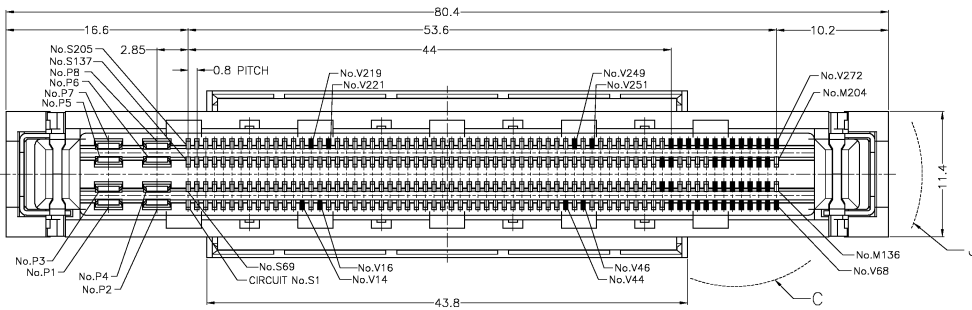
3

2

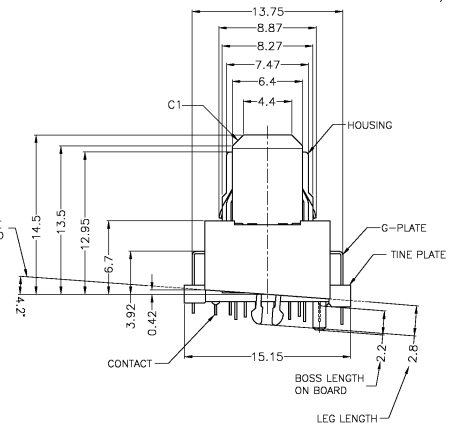
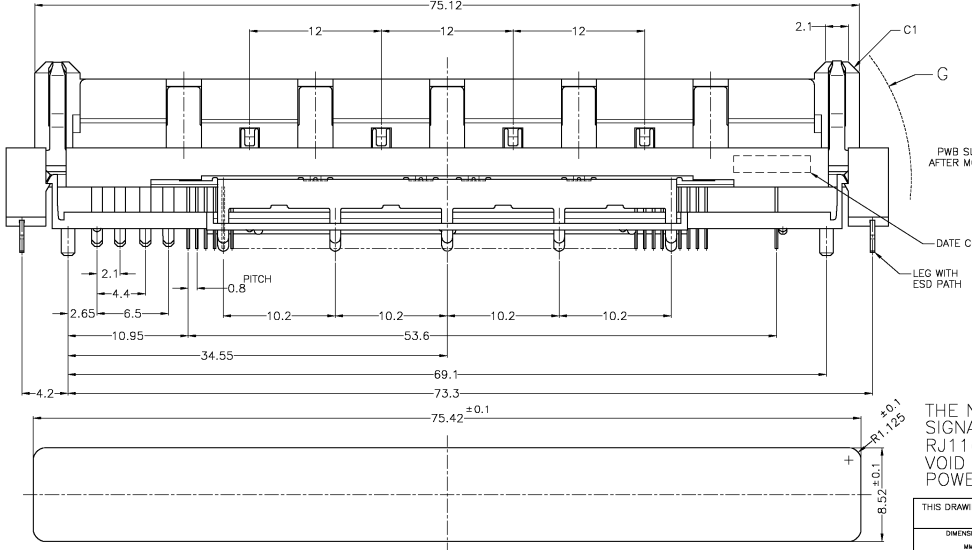
1

THIS DRAWING IS UNPUBLISHED. RELEASED FOR PUBLICATION 2001.
 © copyright 2001 BY TYCO ELECTRONICS CORPORATION. ALL RIGHTS RESERVED.

LOC	DIST	REVISIONS			
P	LTR	DESCRIPTION	DATE	BY	APP'D
J		D	REVISED FJBO-00912-04	08SEP04	A.K. Y.Y.



DETAIL C (SCALE 8-1)
 (THIS FIG. SHOWS VOID CONT. POSITION,
 AND NOT COMPLETELY RIGHT FIGURE.)



THE NUMBER OF PINS
 SIGNAL 218P
 RJ11(MODEM) 2P
 VOID 52P
 POWER 8P

1-1473682-1 (TIN-LEAD); AS SHOWN
 3-1473682-1 (LEAD FREE); AS SHOWN
 (REMOVAL MASK TAPE)

FINISH	PACKING	WEIGHT/BOX (G)	QTY	PART NO.
△ SEMI HARD TRAY	WITH MASK TAPE	2.47	96/BOX	2-1473682-1
△ SEMI HARD TRAY	WITH MASK TAPE	2.47	96/BOX	1473682-1

THIS DRAWING IS A CONTROLLED DOCUMENT.		tyco Electronics Tyco Electronics AMP K.K. Kawasaki, Japan	
DWG: A. KUBO	2050202	NAME:	0.8 DOCKING CONNECTOR REC (272P + POWER 8P)
CHK: S. HASHIMOTO	2050202	SIZE:	A2
APP: S. HASHIMOTO	2050202	CASE CODE:	00779
PROJ. NO:	11-03104	DRAWING NO:	1473682
108-5284(TIN-LEAD)			
108-7820(LEAD FREE)			
APPLICATION SPEC			
WEIGHT:		SCALE:	2:1
CUSTOMER DRAWING		SHEET:	1 of 5
		REV:	D

PANEL OPENING DIM.

1473682

A

4

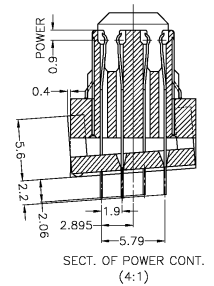
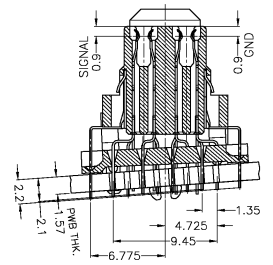
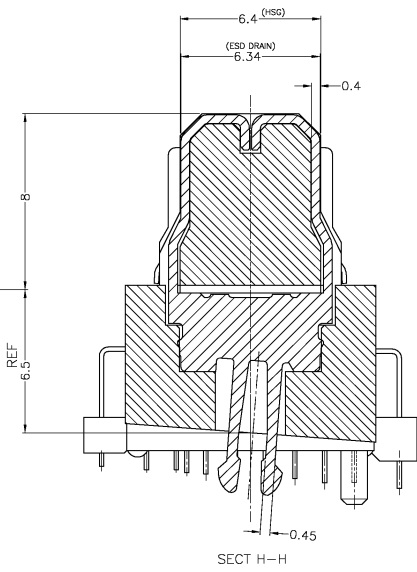
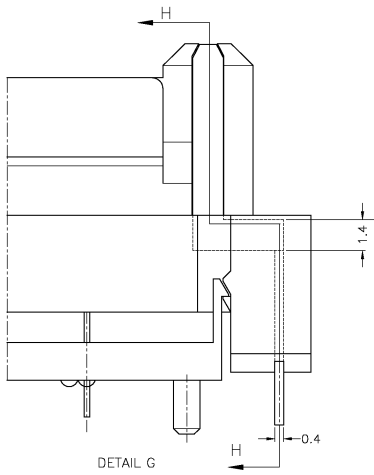
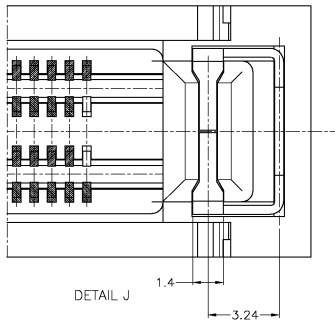
3

2

1

THIS DRAWING IS UNPUBLISHED. RELEASED FOR PUBLICATION 2001.
 © COPYRIGHT 2001 BY TYCO ELECTRONICS CORPORATION. ALL RIGHTS RESERVED.

LOC	DIST	REVISIONS			
P	LTR	DESCRIPTION	DATE	OWN	APVD
		SEE SHEET 1			

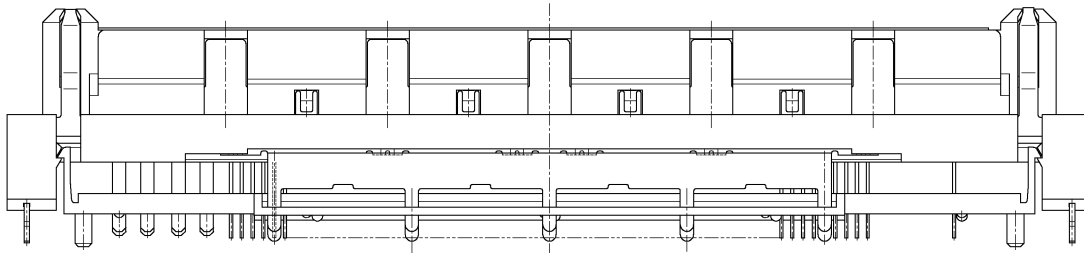
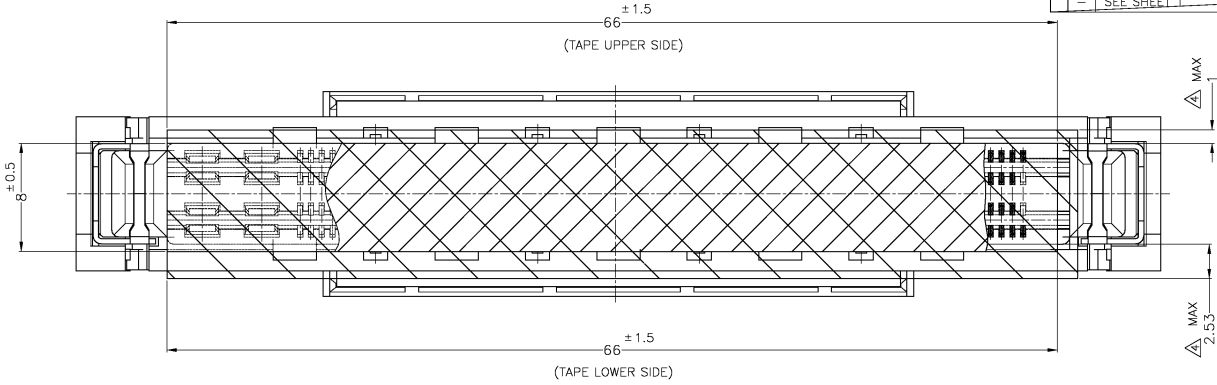


THIS DRAWING IS A CONTROLLED DOCUMENT.		DW		tyco Electronics		Tyco Electronics AMP K.K. Kawasaki, Japan	
DIMENSIONS: <input type="checkbox"/> TO DIMENSIONS UNLESS OTHERWISE SPECIFIED		CHK		NAME		0.8 DOCKING CONNECTOR REC (272P + POWER BP)	
MM		APVD		PRODUCT SPEC		SEE CASE CODE DRAWING NO	
<input type="checkbox"/> 0 P.L.C. <input type="checkbox"/> 1 P.L.C. <input type="checkbox"/> 2 P.L.C. <input type="checkbox"/> 3 P.L.C. <input type="checkbox"/> 4 P.L.C. <input type="checkbox"/> 5 P.L.C. <input type="checkbox"/> 6 P.L.C. <input type="checkbox"/> 7 P.L.C. <input type="checkbox"/> 8 P.L.C. <input type="checkbox"/> 9 P.L.C. <input type="checkbox"/> 0 P.L.C. <input type="checkbox"/> 1 P.L.C. <input type="checkbox"/> 2 P.L.C. <input type="checkbox"/> 3 P.L.C. <input type="checkbox"/> 4 P.L.C. <input type="checkbox"/> 5 P.L.C. <input type="checkbox"/> 6 P.L.C. <input type="checkbox"/> 7 P.L.C. <input type="checkbox"/> 8 P.L.C. <input type="checkbox"/> 9 P.L.C.		APPLICATION SPEC		REV		RESTRICTED TO	
MATERIAL		FINISH		CUSTOMER DRAWING		SCALE: 8:1 SHEET 3 OF 5 REV D	
				A2 00779		1473682	

AMP 1471-9 REV 31MAR2000

1473682

LOC	DIST	REV	REVISIONS	DATE	OWN	APPD
J			DESCRIPTION			
			SEE SHEET 1			



TAPE POSITION

注記

- △材質
 ハウジング : 熱可塑性樹脂 UL94V-0, 黒
 タイムプレート : 熱可塑性樹脂 UL94V-0, 黒
 シグナルコンタクト : 銅合金
 パワーコンタクト : 銅合金
 グランドプレート : 銅合金
 レグ : 銅合金
- △仕上
 シグナルコンタクト & パワーコンタクト : ニッケル下地播成部金めっき、はんだ付け部はんだめっき
 グランドプレート : すずめっき (リフロー)
 レグ : ニッケル下地、はんだめっき
 ※ 適用基板厚 : 1.57±0.1mm
 ※ マスクテープ飛び出し量
- △仕上
 シグナルコンタクト & パワーコンタクト : ニッケル下地播成部金めっき、はんだ付け部すずめっき
 グランドプレート : すずめっき (リフロー)
 レグ : ニッケル下地、すずめっき

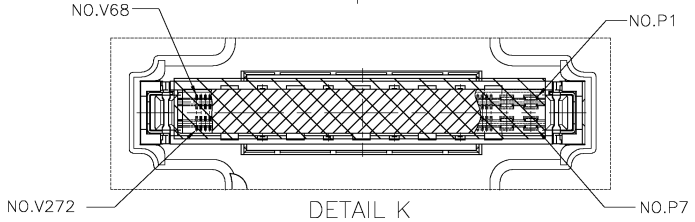
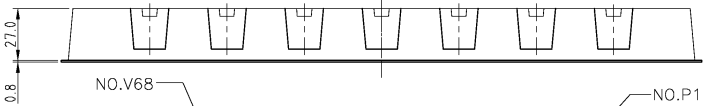
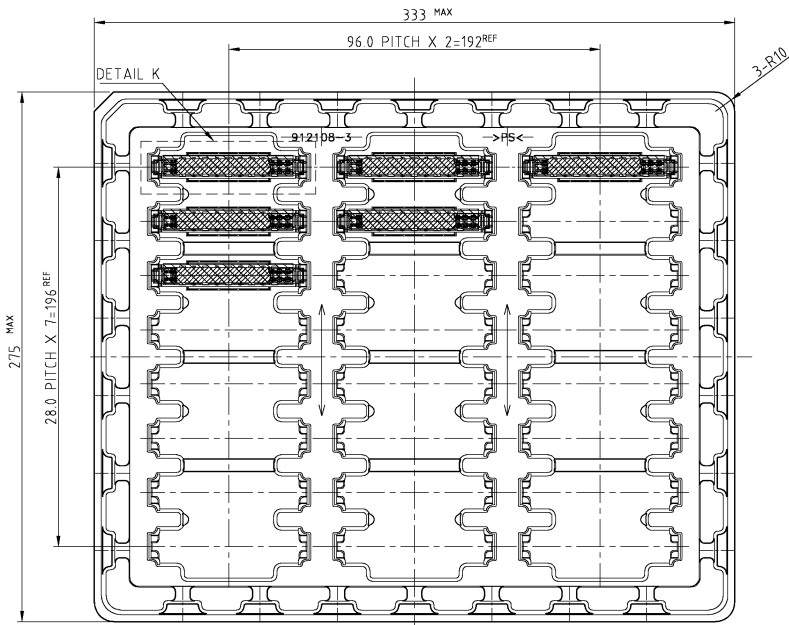
NOTE

- △MATERIAL
 HOUSING : THERMOPLASTIC, UL94V-0, BLACK
 TIME PLATE : THERMOPLASTIC, UL94V-0, BLACK
 SIGNAL CONTACT : COPPER ALLOY
 POWER CONTACT : COPPER ALLOY
 GROUND PLATE : COPPER ALLOY
 LEG : COPPER ALLOY
- △FINISH
 SIGNAL CONTACT & POWER CONTACT : Au PL. ON CONTACT AREA
 TIN PL. ON SOLDER AREA
 NI UNDER PL. ALL OVER
 GROUND PLATE : TIN PL. (REFLOW)
 LEG : TIN PL. ALL OVER
 UNDER NI PL. ALL OVER
- △APPLICABLE THICKNESS OF P.C. BOARD : 1.57±0.1mm
 △MAX DIMENSION OF MASK TAPE STICK OUT.

THIS DRAWING IS A CONTROLLED DOCUMENT.		OWN	tyco Electronics		Tyco Electronics AMP K.K. Kawasaki, Japan	
DIMENSIONS: MM		CHK	APVD	NAME	0.8 DOCKING CONNECTOR REC (272P + POWER BP)	
TOLERANCE'S UNLESS SPECIFIED FRACTIONAL DECIMALS		PRODUCT SPEC	APPLICATION SPEC	SIZE	CASE CODE	DRAWING NO
MATERIAL		WEIGHT	CUSTOMER DRAWING	A2	00779	C=1473682
FINISH		RESTRICTED TO	SCALE	2:1	SHEET	4 of 5
		REV	D			

THIS DRAWING IS UNPUBLISHED. RELEASED FOR PUBLICATION 2001.
 COPYRIGHT © 2001 BY TYCO ELECTRONICS CORPORATION. ALL RIGHTS RESERVED.

LOC	DIST	REVISIONS			
P	LTR	DESCRIPTION	DATE	OWN	APVD
-	-	SEE SHEET 1	-	-	-



1473682-1 (TIN-LEAD)
 2-1473682-1 (LEAD FREE)
 SEMI HARD TRAY ASSY

0.407	24
WEIGHT/TRAY (kg)	QTY/TRAY

THIS DRAWING IS A CONTROLLED DOCUMENT.		DWG	tyco Electronics		Tyco Electronics AMP K.K. Kawasaki, Japan	
DIMENSIONS:		CHK	APVD		NAME	
MM		PRODUCT SPEC		0.8 DOCKING CONNECTOR REC (272P + POWER BP)		
0 P.L.C ± 0.5 1 P.L.C ± 0.5 2 P.L.C ± 0.5 3 P.L.C ± 0.5 4 P.L.C ± 0.5 ANGLES ± 3°		APPLICATION SPEC		SHEET		RESTRICTED TO
MATERIAL FINISH		WEIGHT		A2 00779 C=1473682		—
		CUSTOMER DRAWING		SCALE 2:1		SHEET 5 OF 5 REV D

AMP 1471-9 REV 31MAR2000

1473682