

Shielded CHAMP Right Angle PCB Connectors (Continued)

Board Locking Grounding

Material and Finish

Housing, Bracket Adapter Comb and Terminal Support Plate — Polyester, black

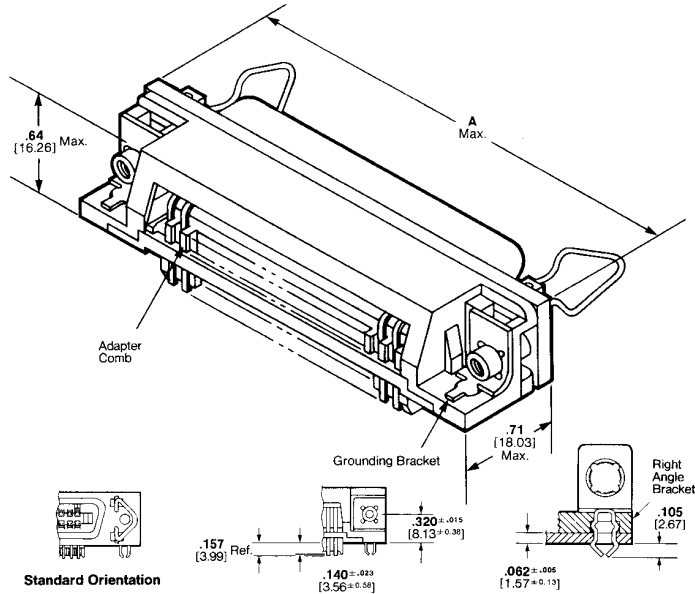
Bail-Clip — Passivated stainless steel

Receptacle Shield — Bright nickel over copper plated die casting

Terminals — Selectively plated gold over nickel plated high strength copper alloy, tin plated tails

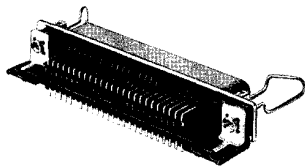
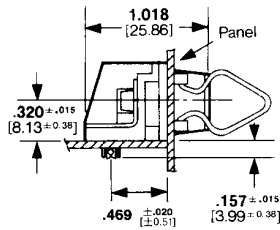
Ground Bracket — Tin-lead plated carbon steel

Note: See page 82 for Suggested Panel Cutout, Rear Panel Mounting Dimensions



Rear Panel Mounting Detail (Shown for reference only)

Standard Profile Connector

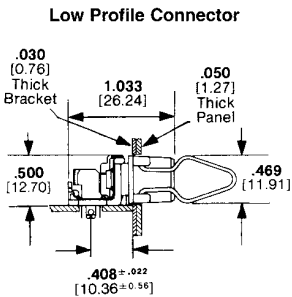


No. of Positions	Dimension A	Hardware Type	Screw Size	Part Numbers		
				Standard	Reverse	Low-Profile
24	2.205 56.01	Screw Lock	6-32	554923-2 ¹	554923-1 ¹	557724-1 ⁶ 555139-1 ⁷ 555139-2 ⁷
36	2.715 68.96	Bail Lock	4-40	555119-1 ¹ 555520-2 ^{1,5}	—	
50	3.320 84.33	Screw Lock	4-40	557932-2 ⁸	557932-1 ⁸	

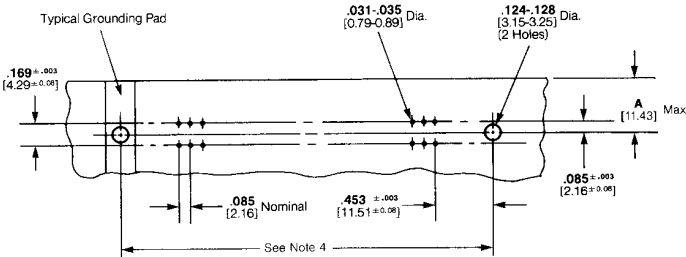
Special Low-Profile Connectors—Compatible with IBM PC AT and PC XT Computer Modules

No. of Positions	Dimension A	Hardware Type	Screw Size	Part Numbers	
				Standard	Reverse
50	3.310 84.07	Bail Lock	4-40	555149-12. ³	555149-3 ³

Recommended PC Board Mounting Dimensions



(See chart footnotes)



1. Maximum PC board thickness is .062 [1.57], A = .450
2. SCSI applicable
3. Maximum PC board thickness is .062 [1.57], A = .386
4. 1.842 ± .006 [46.79 ± 0.15] 24 Pos. 2.352 ± .006 [59.74 ± 0.15] 36 Pos. and 2.946 ± .006 [74.83 ± 0.15] 50 Pos.
5. Has drawn metal shield
6. Shielded, standard orientation, board lock, compatible with vapor phase & IR reflow
7. Shielded with ground bracket 4-40 thread (low profile)
8. Plated Backshell

IBM, AT and XT are trademarks of IBM Corporation.