

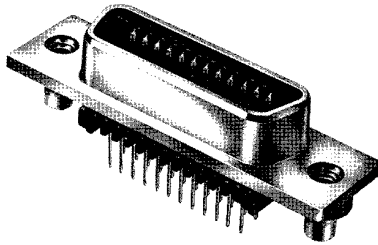
Shielded CHAMP Vertical Mount PCB Connectors

Material and Finish

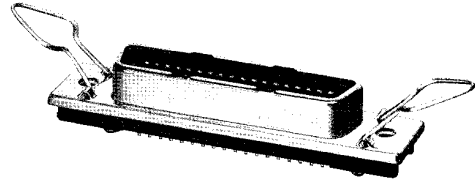
Housing — Thermoplastic (black)

Terminals — Selectively plated gold over nickel plated high strength copper alloy, tin plated tails

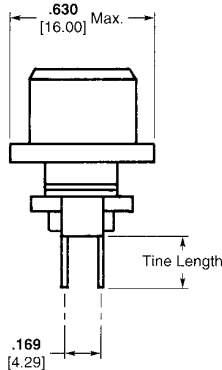
EMI Shield — Nickel plated die casting



Screw Lock



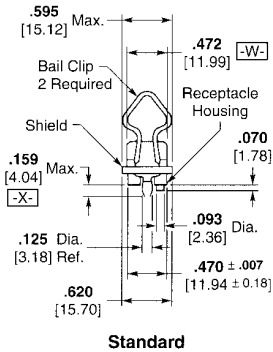
Bail Lock



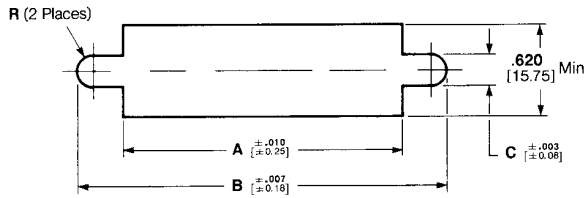
| No. of Positions | Tine Length | Screw Lock 6-32 Hole | Bail Lock 4-40 Hole | Board Lock w/Bail Lock |
|------------------|--------------|----------------------|---------------------|------------------------|
| 24 | .115 2.92 | 554501-11 | — | — |
| 36 | .215 5.46 | — | 554145-4 | — |
| 50 | .180 4.57 | — | — | 406874-12 |

¹ Can be used with Interface Bus Applications per IEEE-488.
² See view A.

Recommended Panel Cutout for Preassembled and Metric Application per IEEE-488 (Rear Panel Mount Only)

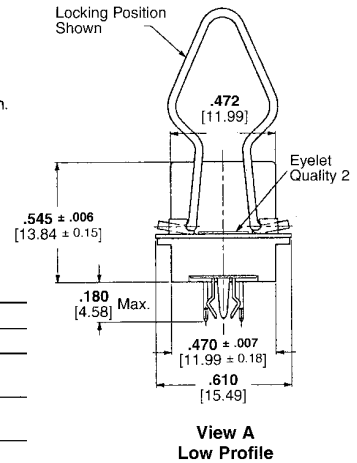


Standard



| No. of Positions | Screw Lock | | | Bail Lock | | |
|------------------|----------------|-----------------------------|---------------------------|----------------|----------------|--------------|
| | A | B | C | A | B | C |
| 24 | 1.575 40.01 | 1.994 ¹ 50.65 | .152 ¹ 3.86 | 1.806 45.87 | 1.968 49.99 | .126 3.20 |
| 36 | 2.085 52.96 | 2.478 62.94 | .126 3.20 | 2.316 58.83 | 2.478 62.94 | .126 3.20 |
| 50 | 2.700 68.58 | 3.072 78.03 | .126 3.20 | 2.910 73.91 | 3.072 78.03 | .126 3.20 |

¹ For IEEE-488 Metric Applications Dimension—B = 2.036 [51.71] (Screw Lock Only), C = .192 [4.88].



View A
Low Profile