

Wire to Board Connectors

Connector System for IEEE1394 Serial Bus

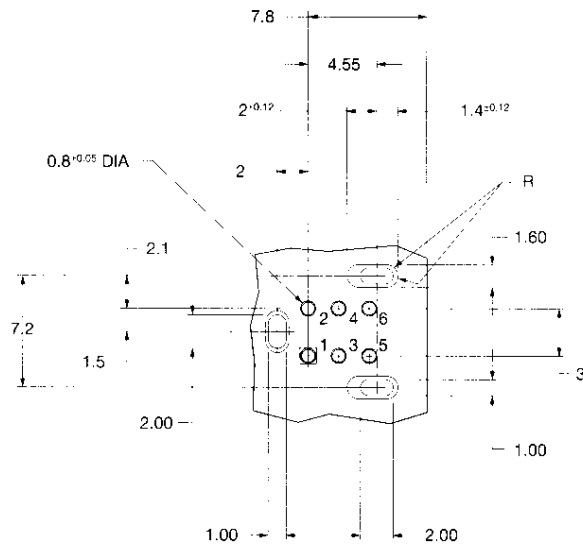
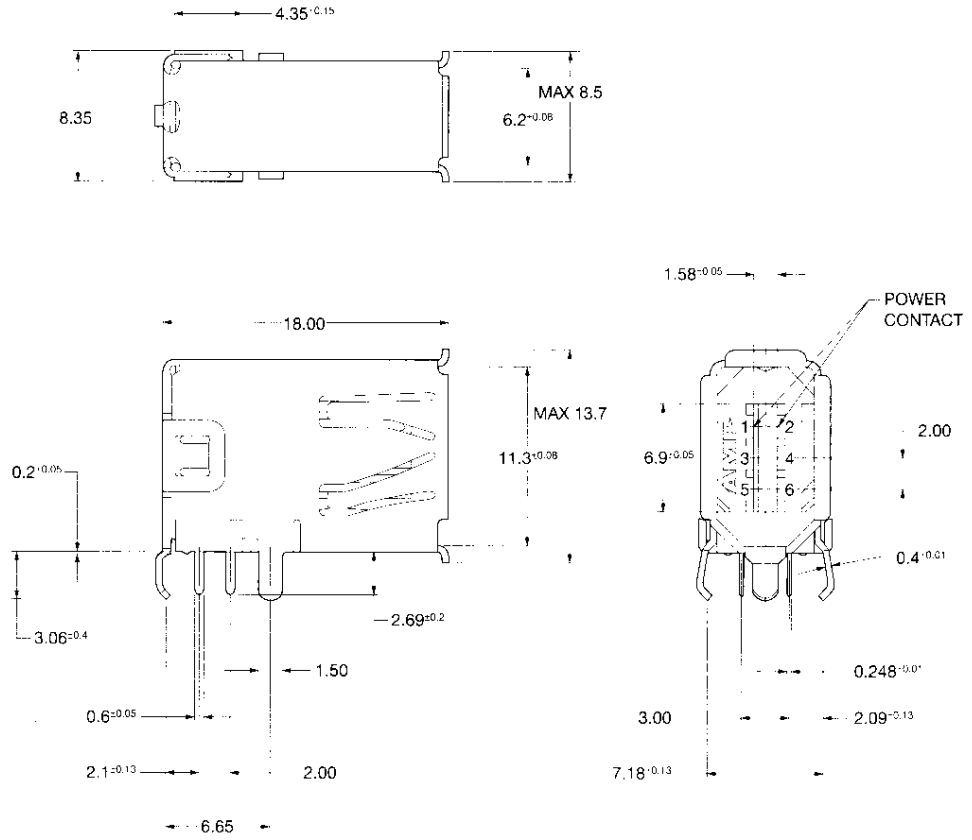
6 Pos. Receptacle Header

Flag Type

Part Number : 787956-1

Material and Finish :

Housing—PBT, UL94V-0 rated,
black
Contact—Copper, gold and tin-
lead plated, nickel
underplated



PC Board Layout