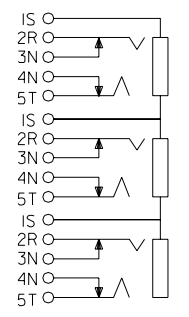
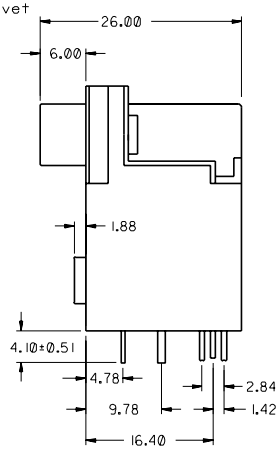
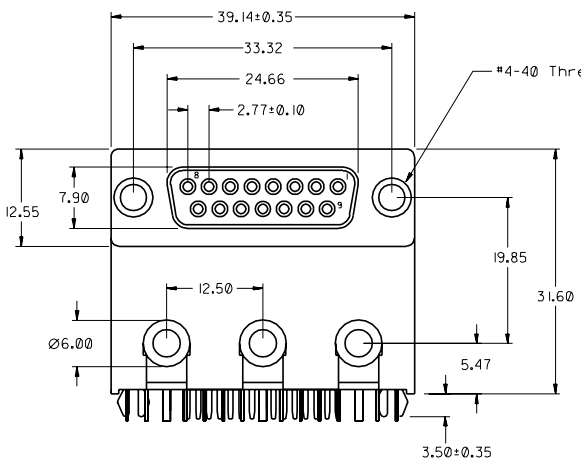
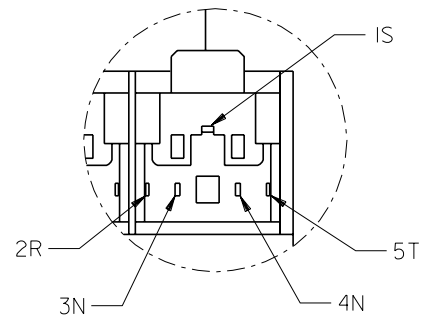
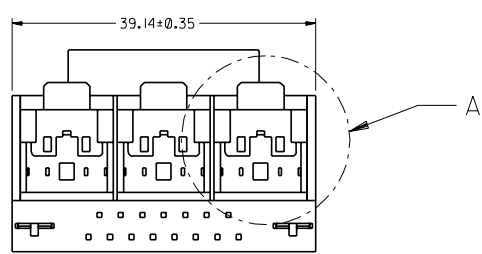


ENG. NO SDA-67001-00*0
EDP NO.
SIMILAR ITEM
CAD FILE :S67001I
DO NOT SCALE DRAWING

8 7 6 5 4 3 2 1



WIRING DIAGRAM

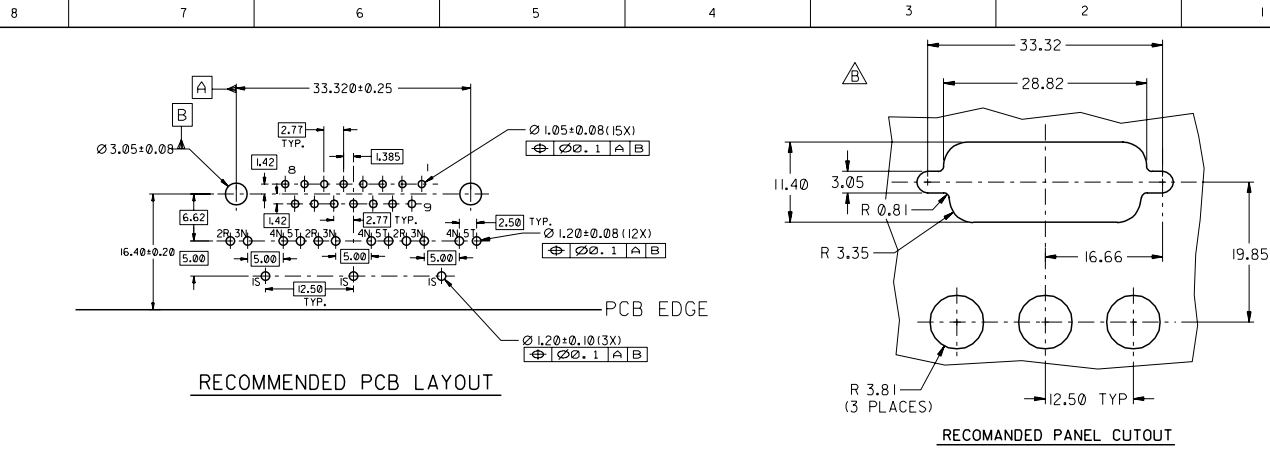


DETAIL A (Audio Jack)

				MATERIAL : SEE NOTE		MOLEX TAIWAN LTD. SHEET 1 OF 2
				FINISH : SEE NOTE		
				WIRE RANGE :		GENERAL TOLERANCES ANGLE ± 3° DIM ± .25/.010
				INS. RANGE :		
B	RELEASE TO MANUFACTURING	197-424	NEIL	970602	ENG. NO: SDA-67001-00*0 REV B	
A2	UPDATE THE DIM	197-392	NEIL	970508		
A1	PER PDR MXT	0884	Vin	96.10.11		
LTR	REVISION RECORD	ECN	DR	DATE	DRAWN BY Vincent Lin	CHK'D BY
				REVISION RECORD		TITLE : HYBRID CONNECTOR 15CKT FEMALE STD D-SUB WITH AUDIO JACK(3X)
				REVISION RECORD		APPR'D BY
				REVISION RECORD		SCALE 2:1

THIS DRAWING CONTAINS INFORMATION THAT IS PROPRIETARY TO MOLEX (FEMI) AND SHOULD NOT BE USED WITHOUT WRITTEN PERMISSION MXT , Sα - 13

ENC. NO SDA-67001-00*0
 EDP NO.
 SIMILAR ITEM
 CAD FILE : S670012
 DO NOT SCALE DRAWING



RECOMMENDED PCB LAYOUT

RECOMMENDED PANEL CUTOUT

67001-00*0

- NOTE
- 1) MATERIAL
 - 2) STANDARD D-SUB 15CKT FEMALE
 - 3) SHELL : STEEL, TIN PLATING
 - 4) BOARD LOCK : BRASS, TIN PLATING
 - 5) SCREW: BRASS, NICKEL PLATING
 - 6) INSULATOR : POLYESTER (PBT), WITH GLASS FIBER, UL-94V0, COLOR : BLACK
 - 7) CONTACT : PHOSPHER BRONZE
- AUDIO JACK
- 1) HOUSING/BACK COVER : POLYESTER, UL94V-0 ,COLOR: BLACK
 - 2) BUSHING : BRASS, NICKEL PLATING
 - 3) SLEEVE TERMINAL (1S) : SPCC, NICKEL PLATING
 - 4) SLEEVE SPRING : PHOSPHER BRONZE, SILVER PLATING
 - 5) RING TERMINAL (2R) : PHOSPHER BRONZE, TIN PLATING
 - 6) TIP TERMINAL (5T) : PHOSPHER BRONZE, TIN PLATING
 - 7) SHUNT TERMINAL (3N/4N) : BRASS, TIN PLATING

- 4 : 0.76 MICROMETER / 30 MICRO INCH MINIMUM GOLD ON CONTACT AREA .
2.54 MICROMETER / 100 MICRO INCH MINIMUM TIN/LEAD ON SOLDER TAIL .
BOTH UNDERPLATING NICKEL OVERALL .
- 5 : 0.38 MICROMETER / 15 MICRO INCH MINIMUM GOLD ON CONTACT AREA .
2.54 MICROMETER / 100 MICRO INCH MINIMUM TIN/LEAD ON SOLDER TAIL .
BOTH UNDERPLATING NICKEL OVERALL .
- 6 : GOLD FLASH ON CONTACT AREA .
2.54 MICROMETER / 100 MICRO INCH MINIMUM TIN/LEAD ON SOLDER TAIL .
BOTH UNDERPLATING NICKEL OVERALL .

				MATERIAL : SEE NOTES		MOLEX TAIWAN LTD.	
				FINISH : SEE NOTES		SHEET 2 OF 2	
				WIRE RANGE :		GENERAL TOLERANCES	
				INS. RANGE :		ANGLE : ± 3° DIM : ± .25 / .010	
B RELEASE TO MANUFACTURING 197-424 NEIL 9786802				A2 UPDATE THE DIM. 197-392 NEIL 9785908		ENG. NO. SDA-67001-00*0	
A1 PER PDR MXT 0884 197-140 Vincent 961121				DRAWN BY 961121 Vincent Lin		TITLE : HYBRID CONNECTOR 15CKT FEMALE STD D-SUB WITH AUDIO JACK(3X)	
LTR REVISION RECORD ECN DR DATE				APPR'D BY		SCALE 2:1	
REVISE ONLY ON CAD SYSTEM							