

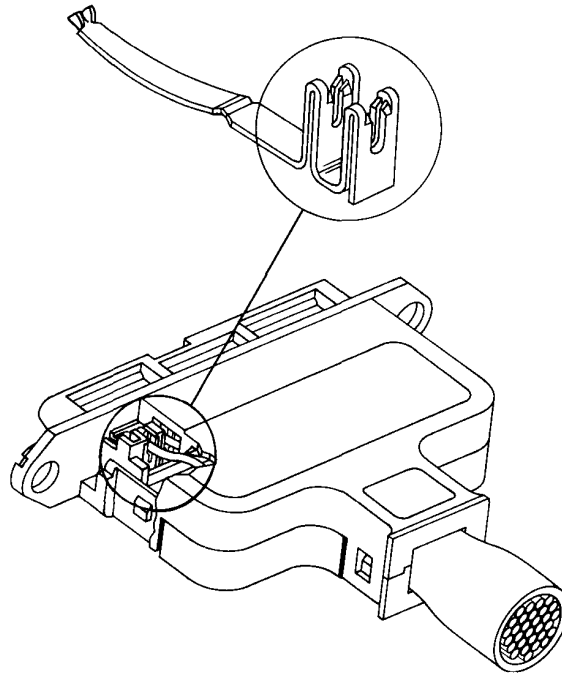
CHAMP IDC Connector Specifications (Continued)

Miniature Ribbon Connector Systems
CHAMP .085 Centerline

Large Insulation Wire Connectors

Miniature Ribbon IDC Connectors that can accommodate 22 AWG wire with insulation diameters up to .056 [1.42]. The F-slot contacts handle large insulation diameter conductors using a folded beam contact design.

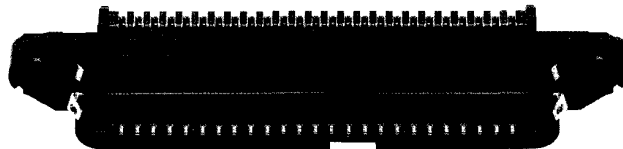
Only connector supplied. 180° Cover and Cable shown for reference



No. of Positions	Wire Size				Housing Color Dot Des.	Part Numbers	
	Solid		7 Strand			Plug Style PS	Receptacle Style RS
	AWG	mm	AWG	mm ²			
50	22	0.64	22	0.40	Brown	556039-1	555227-1
64						556409-1	—

These special CHAMP connectors are designed with an integral latching system that eliminates the need for additional locking hardware. Receptacle assemblies are pre-assembled with two plated steel spring latches (one at each end) that latch into cutout slots in mating plug connectors. To release a mated pair, simply depress latches into recessed areas and disengage. Note, however, that integral latches are not repairable nor replaceable. Integral-latch connectors are presently available in 50- and 64-position sizes.

Integral Locking Latch Receptacle



No. of Positions	Housing Color Dot Des.	Contact Letter Code	Part Numbers
50	Blue	B	553921-1
64			554381-2