

RJ-45 WITH INTEGRATED 10/100 BASE Tx LAN MAGNETICS

RJmag™

FEATURES

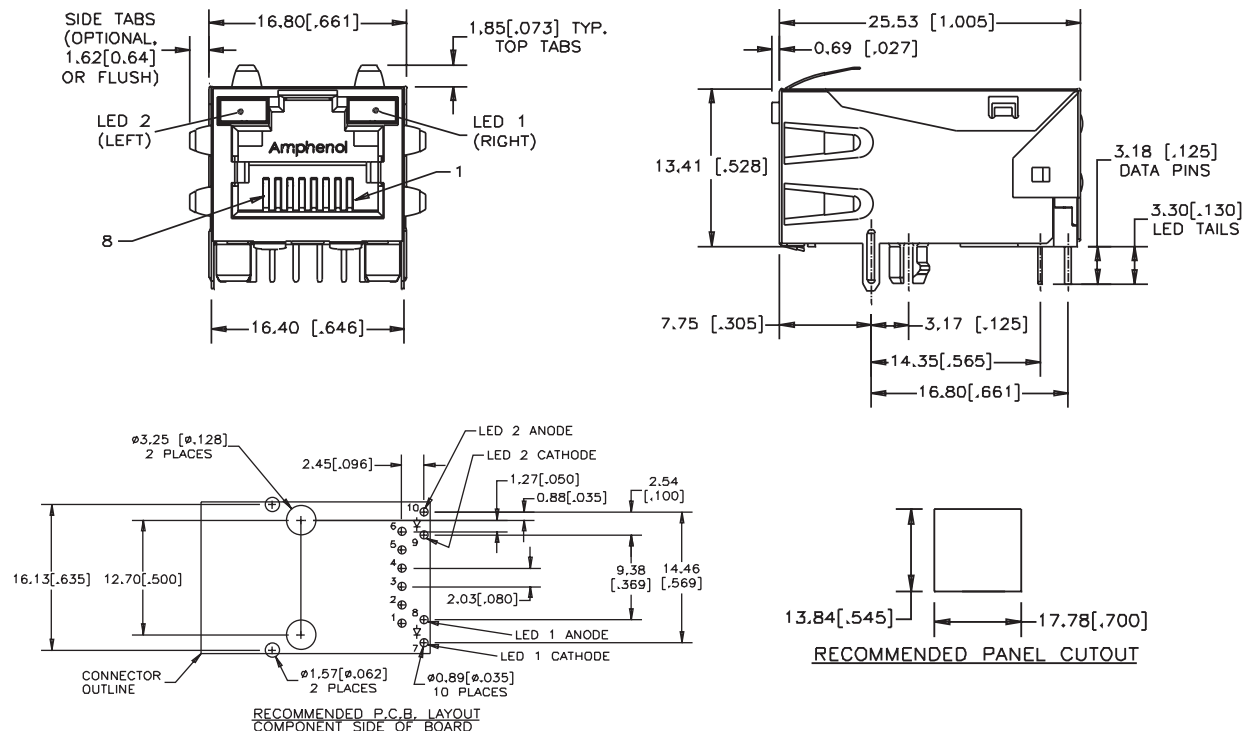
The RJmag is a family of modular jacks with integrated Ethernet Magnetics. The RJmag is available with integrated common mode chokes, isolation transformers, termination circuitry and two LED's per port.

- Reduces the required board space, component count, and manufacturing cost per port
- Eliminates the need for a separate Magnetics package between the RJ-45 and Transceiver
- Simplifies board layout
- Available in 1, 4, and 8 port configuration
- Complies with IEEE 802.3



MECHANICAL

RJMG-63xx-xx-01



Amphenol®

PINOUT

PIN	SYMBOL
1	Tct
2	Tx+
3	Tx-
4	Rx+
5	Rx-
6	Rct
7	LED1-
8	LED1+
9	LED2-
10	LED2+

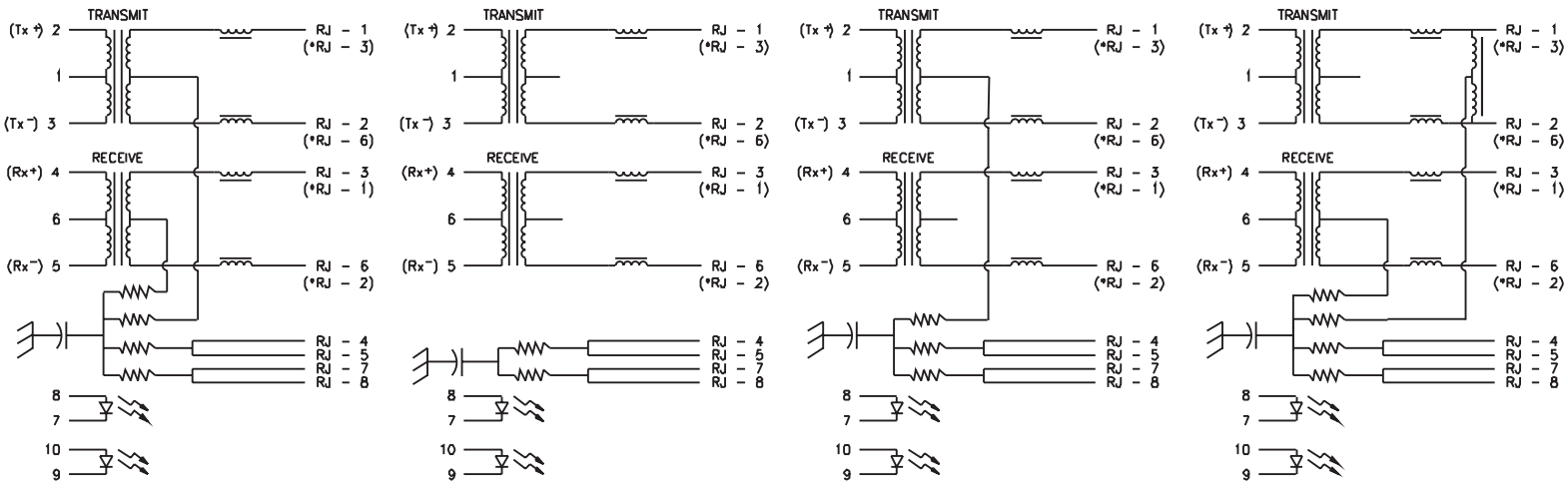
MATERIAL SPECIFICATIONS

- Plastic housing:** thermoplastic polyester
flammability rating UL 94V-0
- Contacts:** Phosphor bronze
- Plating:** 50 microinches [1.27 microns] min.
nickel overall
50 microinches [1.27 microns] min.
gold on mating surfaces
100 microinches [2.54 microns] min.
tin/lead on contact tails
- Shield:** Copper alloy tin-lead plated

ELECTRICAL PERFORMANCE

	Insertion Loss db MAX		Return Loss db MAX				Common to differential mode rejection dB min	Common to common mode rejection dB min	OCL H 100 KHz 8mA DC Bias	Crosstalk dB MAX		Hipot Vrms min
	1-10 MHz	1-100 MHz	1-10 MHz	1-30 MHz	30-60 MHz	60-100 MHz	0-100 MHz	0-100 MHz		Pair to pair	LED to Tx/Rx	
										0-100 MHz		
10/100 Base T Electrical Characteristic	-	1.0	-	-18	-16	-10	35	38	400	-35	-50	1500
10 Base T Electrical Characteristic	1.0	-	-16	-	-	-	35	38	-	-35	-50	1500

SCHEMATIC



SCHEMATIC (RJMG-6XXX-3X-01)

SCHEMATIC (RJMG-6XXX-4X-01, RJMG-6XXX-5X-01)

SCHEMATIC (RJMG-6XXX-6X-01)

SCHEMATIC (RJMG-6XXX-7X-01)

PART NUMBERING SYSTEM

RJMG - 6 3 1 2 - 7 1 - 0 1

- LED 1 (Right Side):**
- 0 - LED hole blocked
 - 1 - Green
 - 2 - Yellow
 - 3 - Red
 - 4 - Bi-color Green/Yellow
 - 5 - Bi-color Red/Green
 - 6 - Bi-color Green/Orange
 - 6 - Bi-color Red/Yellow

LED 2 (Left Side):
See LED 1 options

Number of Ports

- 01 - 1 Port
- 04 - 4 Port
- 08 - 8 Port

Turns Ratio (Transmit)

- 1 - 1:1
- 2 - 1.25:1
- 3 - $\sqrt{2}$:1
- 4 - 2:1
- 5 - $1:\sqrt{2}$ (10 Base T only)
- 6 - 1:2 (10 Base T only)

Termination Option:

- 3 - 4 x 75 ohm resistors, 68 pF cap
 - 4 - 2 x 0 ohm resistors, 68 pF cap
 - 5 - 2 x 75 ohm resistors, 68 pF cap
 - 6 - 3 x 75 ohm resistors, 1000 pF cap
 - 7 - 4 x 75 ohm resistors, 1000 pF cap (with transmit shunt choke)
 - 8 - 4 x 75 ohm resistors, 1000 pF cap
- (Other terminations are available upon request.)

Amphenol®

Data / Telecom Products

20 Melford Drive, Scarborough, Ontario
Canada M1B 2X6

Telephone: (416) 291-4401
Facsimile: (416) 754-8668

Email: sales@amphenolcanada.com
Website: www.rjmag.com

© Amphenol Canada Corp.
Specifications subject to change without notice.
Printed in Canada 02/00
Designed by K Jasper Marketing Communications Inc.
CATALOGUE # ADT 00015/00-01

RJmag OVER STACKED USB

RJ-45 WITH INTEGRATED 10/100 BASE TX LAN MAGNETICS OVER A STACKED TYPE A USB

RJmag™

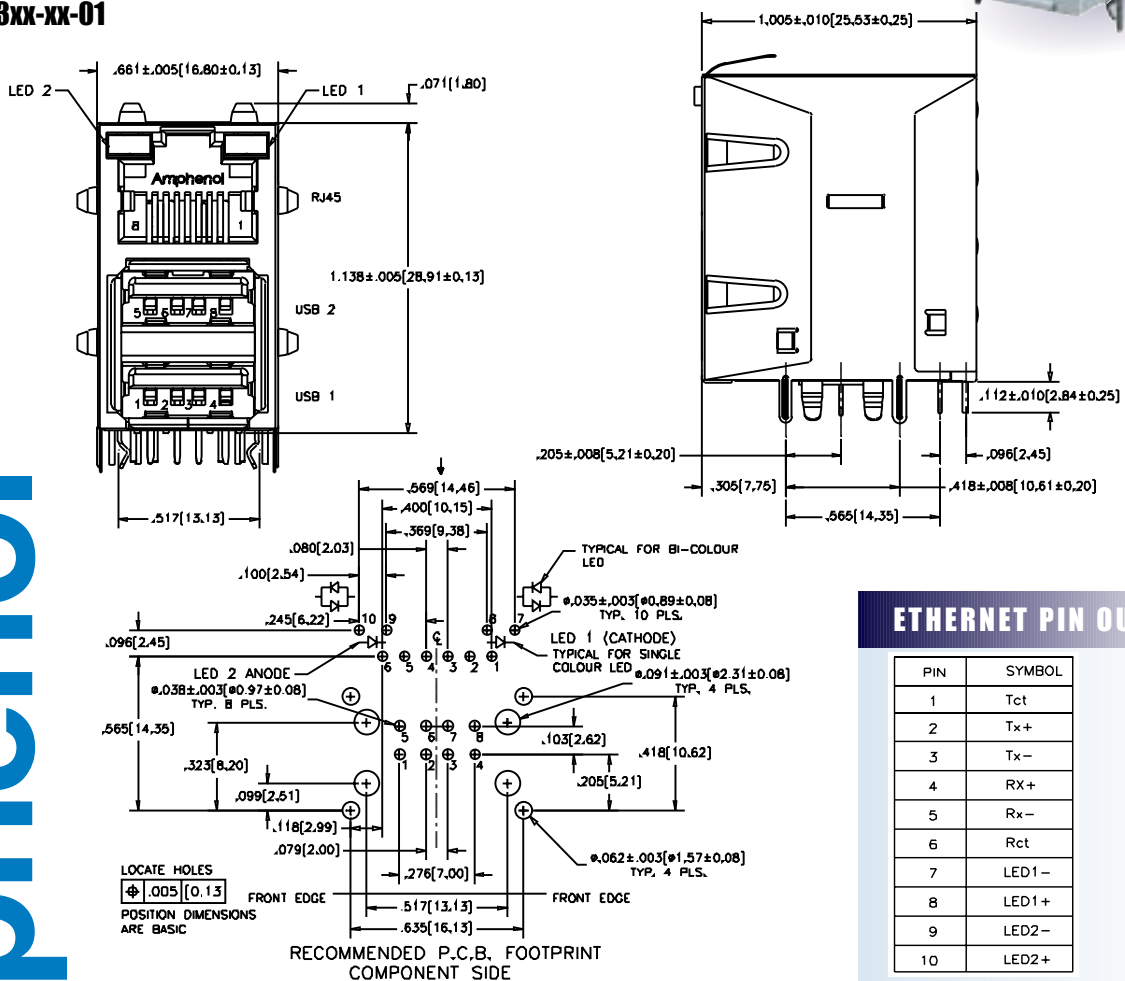
FEATURES

The RJmag is a family of modular jacks with integrated Ethernet Magnetics. The RJmag is available with integrated common mode chokes, isolation transformers, termination circuitry and two LED's per port. The RJmag over USB was designed to save board and panel space on PC motherboard applications.

- Reduces the required board space, component count, and manufacturing cost per port
- Eliminates the need for a separate Magnetics package between the RJ-45 and Transceiver
- Simplifies board layout
- Complies with IEEE 802.3

MECHANICAL

RJMG-73xx-xx-01



ETHERNET PIN OUT

PIN	SYMBOL
1	Tct
2	Tx+
3	Tx-
4	Rx+
5	Rx-
6	Rct
7	LED1-
8	LED1+
9	LED2-
10	LED2+

MATERIAL SPECIFICATIONS

Plastic housing: thermoplastic polyester flammability rating UL 94V-0
Contacts: Phosphor bronze
Plating: 50 microinches [1.27 microns] min. nickel overall
 50 microinches [1.27 microns] min. gold on RJ mating surfaces
 100 microinches [2.54 microns] min. tin/lead on contact tails
Shield: Copper alloy tin-lead plated

Telephone: (416) 291-4401

Facsimile: (416) 754-8668

Email: sales@amphenolcanada.com

www.rjmag.com

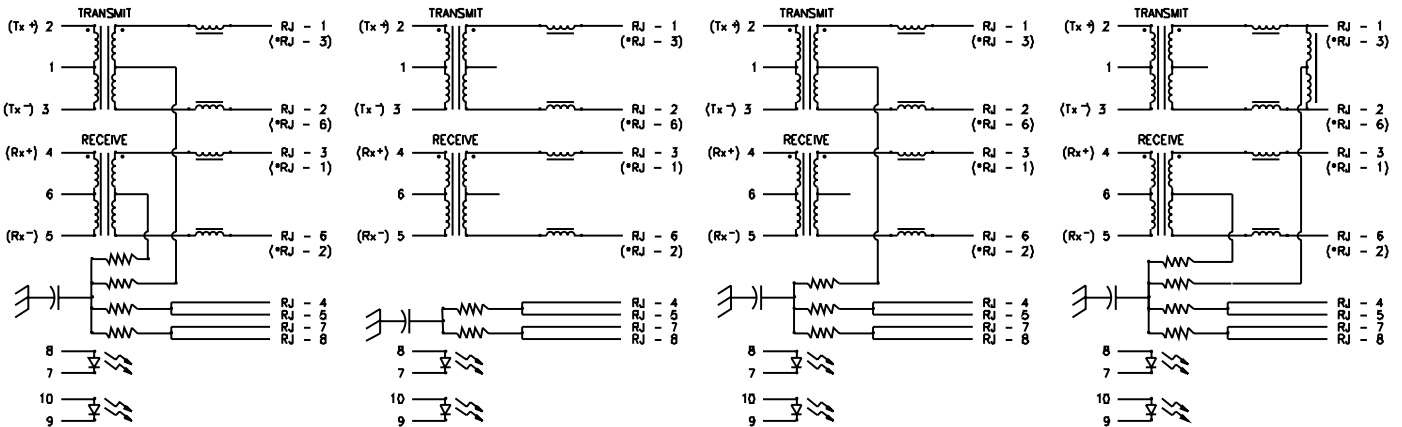
Amphenol®



ELECTRICAL PERFORMANCE

	Insertion Loss db MAX		Return Loss db MAX				Common to differential mode rejection dB min	Common to common mode rejection dB min	OCI μ H 100 KHz 8mA DC Bias	Crosstalk dB MAX		Hipot Vrms min
	1-10 MHz	1-100 MHz	1-10 MHz	1-30 MHz	30-60 MHz	60-100 MHz	0-100 MHz	Pair to pair		LED to Tx/Rx		
								0-100 MHz				
10/100 Base T Electrical Characteristic	-	1.0	-	-18	-16	-10	35	38	400	-35	-50	1500
10 Base T Electrical Characteristic	1.0	-	-16	-	-	-	35	38	-	-35	-50	1500

SCHEMATIC



SCHEMATIC (RJMG-73xx-3x-01)
SCHEMATIC (RJMG-73xx-8x-01)

SCHEMATIC (RJMG-73xx-4x-01, RJMG-73xx-5x-01)

SCHEMATIC (RJMG-73xx-6x-01)

SCHEMATIC (RJMG-73xx-7x-01)

PART NUMBERING SYSTEM

RJMG - 7 3 X X - X X - 0 1

LED 1 (Right Side):

- 0 - LED hole blocked
- 1 - Green
- 2 - Yellow
- 3 - Red
- 4 - Green/Yellow
- 5 - Red/Green
- 6 - Green/Orange
- 7 - Red/Yellow

LED 2 (Left Side):

See LED 1 options

Number of Ports

- 01 - 1 Port

Turns Ratio (Transmit)

- 1 - 1:1
- 2 - 1.25:1
- 3 - $\sqrt{2}$:1
- 4 - 2:1
- 5 - $1:\sqrt{2}$ (10 Base T only)
- 6 - 1:2 (10 Base T only)

Termination Option:

- 3 - 4 x 75 ohm resistors, 68 pF cap
- 4 - 2 x 0 ohm resistors, 68 pF cap
- 5 - 2 x 75 ohm resistors, 68 pF cap
- 6 - 3 x 75 ohm resistors, 68 pF cap
- 7 - 4 x 75 ohm resistors, 1000 pF cap (transmit shunt choke)
- 8 - 4 x 75 ohm resistors, 1000 pF cap

Amphenol[®]

Data / Telecom Products

20 Melford Drive, Scarborough, Ontario
Canada M1B 2X6

Telephone: (416) 291-4401
Facsimile: (416) 754-8668

Email: sales@amphenolcanada.com
Website: www.rjmag.com

© Amphenol Canada Corp.
Specifications subject to change without notice.
Printed in Canada 02/00
Designed by K Jasper Marketing Communications Inc.
CATALOGUE # ADT 00016/00-01

RJmag-Gigabit

RJ-45 WITH INTEGRATED 10/100/1000 BASE TX LAN MAGNETICS

RJ
mag™
GIGABIT

FEATURES

The RJmag is a family of modular jacks with integrated Ethernet Magnetics. The RJmag is available with integrated common mode chokes, isolation transformers, termination circuitry and two LED's per port.

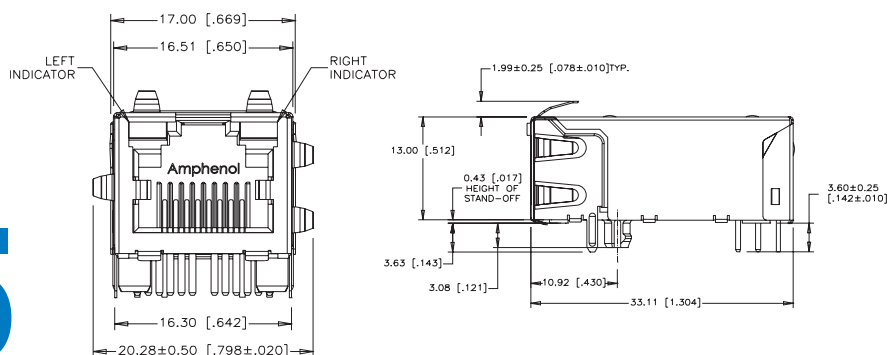
- Reduces the required board space, component count, and manufacturing cost per port
- Eliminates the need for a separate Magnetics package, terminations and LEDs between the RJ-45 and Transceiver
- Simplifies board layout
- Complies with IEEE 802.3
- Compatible with a variety of Gigabit Ethernet transceiver ICs and 10/100 Base TX transceiver ICs
- Storage temperature -40°C to +85°C



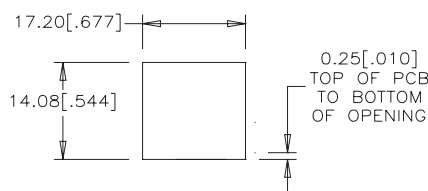
MECHANICAL

RJMG-B3xx-x1-01

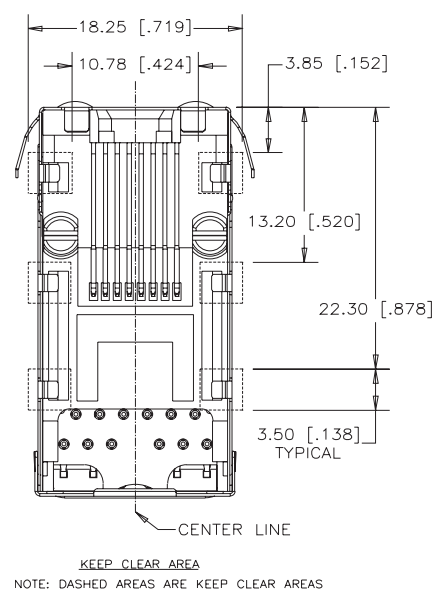
SHIELDED



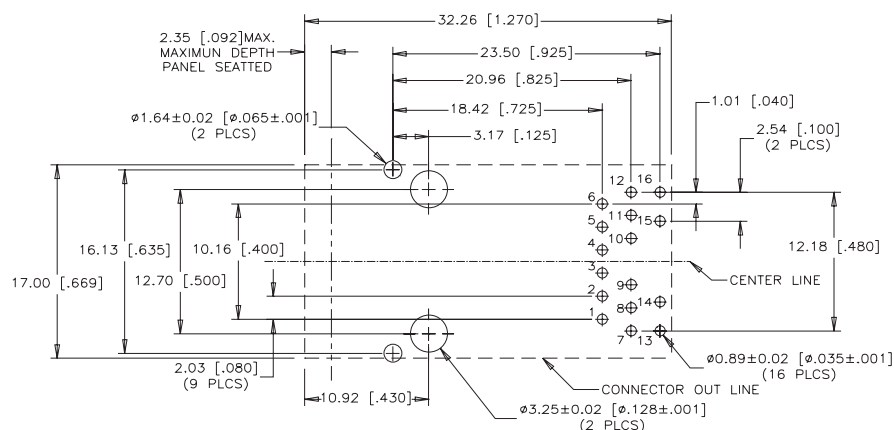
Recommended Panel Cutout



KEEPOUT AREA



RECOMMENDED P.C.B. LAYOUT WITH LEDs



Amphenol®

ELECTRICAL PERFORMANCE

Part Number	Insertion Loss db max	Return Loss db max		Common to Differential Mode Rejection dB min	Common to Common Mode Rejection dB min	Crosstalk TX/RX dB min	Crosstalk TX/RX to LED's dB max	Hipot Vrms min
	0.3 MHz-100 MHz	0.5 MHz to 40 MHz	40 MHz to 100 MHz	100 KHz to 100 MHz	0.3 MHz to 100 MHz			
10/100 /1000 Base T Electrical Characteristic	-1.0	-16	12 - 20 log (f/80 MHz)	-30	-30	29 - 16.8 log (f/100)	-45	1500

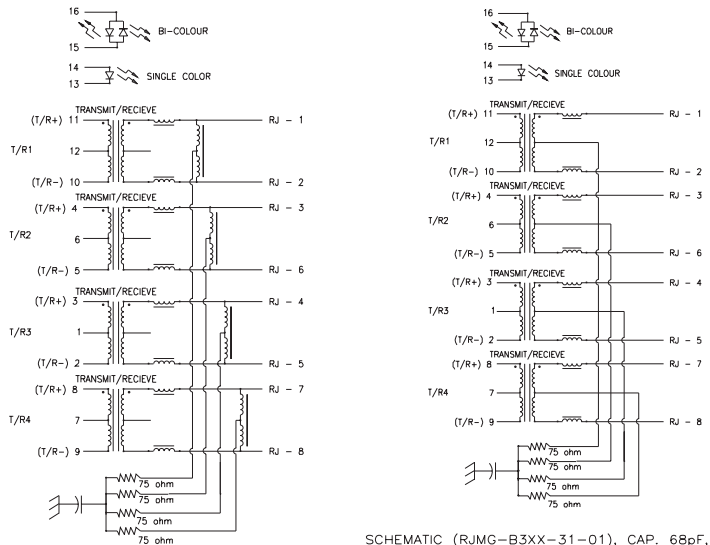
MATERIAL SPECIFICATIONS

Plastic housing: Thermoplastic Polyester
 Colour: Black
 Flammability Rating: UL94V-0

Contacts (RJMag): Phosphor bronze
 Plating: 50 Microinches [1.27 Microns] Gold over 50 Microinches [1.27 Microns] Min. nickel on mating surfaces
 100 Microinches [2.54] tin/lead alloy on contact tails

Shield: Copper Alloy
 Plating: tin-lead alloy

SCHEMATICS



SCHEMATIC (RJMG-B3XX-71-01), CAP. 1000pf, 2Kv

SCHEMATIC (RJMG-B3XX-31-01), CAP. 68pF, 2Kv
 SCHEMATIC (RJMG-B3XX-81-01), CAP. 1000pF, 2Kv

PART NUMBERING SYSTEM

RJMG - B 3 1 2 - 7 1 - 0 1

Shield:
3- Shielded

LED 1 (Right Side):

- 1 - Green
- 2 - Yellow
- 3 - Red
- 4 - Bi-color Green/Yellow
- 5 - Bi-color Red/Green
- 6 - Bi-color Green/Orange
- 7 - Bi-color Red/Yellow

LED 2 (Left Side):

See LED 1 options

Turns Ratio (Transmit):

1 - 1:1

Termination Option:

- 3 - 4 x 75 ohm resistors, 68 pF cap (2Kv)
- 7 - 4 x 75 ohm resistors, 1000 pF cap (2Kv) (transmission shunt choke)
- 8 - 4 x 75 ohm resistors, 1000 pF cap (2Kv)

Number of Ports:
01 - 1 Port



Data / Telecom Products

20 Melford Drive, Scarborough, Ontario
Canada M1B 2X6

Telephone: (416) 291-4401
Facsimile: (416) 754-8668

Email: sales@amphenolcanada.com
Website: www.rjmag.com

© Amphenol Canada Corp.
Specifications subject to change without notice.
Printed in Canada
Designed by Prestige Graphics
CATALOGUE #ADT 0018R0/01-06