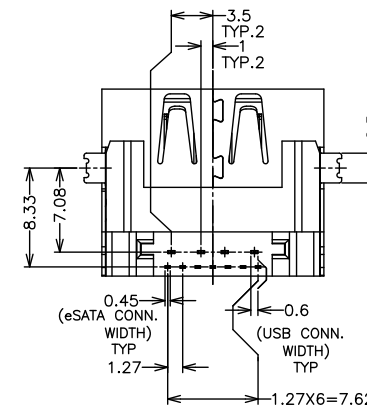
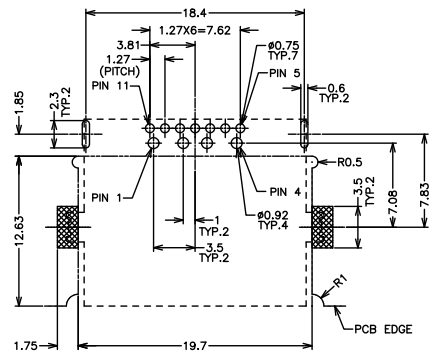
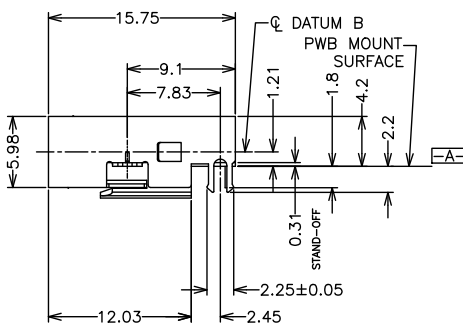
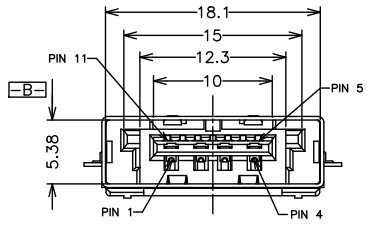


NOTES:
 1.MATERIAL:
 HOUSING:HTN UL94 V-0
 COLOR:BLACK
 TAIL GUIDE:LCP UL94 V-0
 ESATA CONTACT:BRASS
 USB CONTACT:COPPER ALLOY
 SHELL:COPPER ALLOY
 2.FINISH:
 CONTACT:GOLD PLATING ON CONTACT AREA
 100u" MIN.TIN PLATING ON SOLDERTAILS
 50u" MIN.NICKEL UNDERPLATING OVER ALL
 SHELL:50u" MIN.NICKEL UNDERPLATING OVER ALL

3. THE HOUSING WILL WITHSTAND EXPOSURE TO 260C FOR 10 SEC. IN A WAVE SOLDER APPLICATION WITH A PCB.

4. PRODUCT NUMBERING:
 10104194-0 O X X LF
 LEAD FREE
 R: T & R PACKING
 1: 15U" GOLD AT CONTACT
 2: 30U" GOLD AT CONTACT



PIN DEFINITION

USB		ESATA	
NAME	TYPE	NAME	TYPE
P1	VBUS	P5	GND
P2	D-	P6	A+
P3	D+	P7	A-
P4	GND	P8	GND
		P9	B-
		P10	B+
		P11	GND

RECOMMEND P.C.BOARD LAYOUT T=1.40mm
 PCB TOLERANCE:±0.05

mat'l. code		tolerances unless otherwise specified		CUSTOMER COPY		FCI		www.fciconnect.com	
ltr	ecn no	dr	date	linear	.X ± 0.38	projection	title	E SATA / USB 2 IN 1 STD ,DIP ,R/A ,OFFSET TYPE	
A	T09-1119	S.LIN	09/14/09		.XX ± 0.25	MM	product family	SATA	
B	T10-0032	S.LIN	02/01/10		.XXX ± 0.15			size	dwg no
C	T10-0179	S.LIN	10-11-10	angles	0° ± 2°	scale	A4	10104194	
				dr	STERLING LIN 09/09/09			code	TWN
				engr	STERLING LIN 09/09/09			sheet	1 of 1
				chr	GARY HSIEH 09/09/09				
				appd	JOSEPH HSIA 09/09/09				
sheet index	revision sheet	C	1					cage code	4

All rights strictly reserved. Reproduction or issue to third parties in any form whatever is not permitted without written authority from the proprietor. Property of FCI. Copyright FCI.