

**har-link®** Modular metric high speed connectors, 2.0 mm pitch

Page

**har-link®** connector system – general information . . . . .

**00.04**

Technical characteristics . . . . .

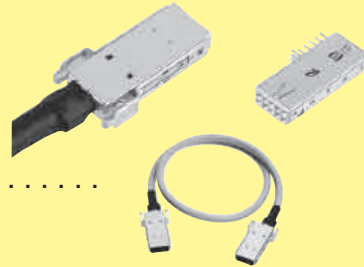
**00.06**

Male and female connectors . . . . .

**00.07**

Accessories and cable assemblies . . . . .

**00.08**



har-link

har-link

The **har-link®** connector system of HARTING complies with the requirements of IEC 61076-4-107 and is a compact and robust pcb-to-cable interface with excellent data transmission properties for high-speed networking and telecommunications.

All dimensions of the **har-link®** connector are in accordance with IEC 917 and IEEE P 1301 requirements, which allows for easy implementation into both metric and inch-based systems. In addition, **har-link®** supports hot plugging as required by modern bus systems such as CompactPCI, S-bus and VME.

**har-link®** allows data transmission up to 2 Gbit/s per pair and is therefore perfectly suited for modern transmission protocols such as Low Voltage Differential Signals (see Fig. 1). The design of the **har-link®** connector allows differential pairs to be placed horizontally (parallel to the pcb), thus reducing the skew at high frequencies and considering high signal integrity.

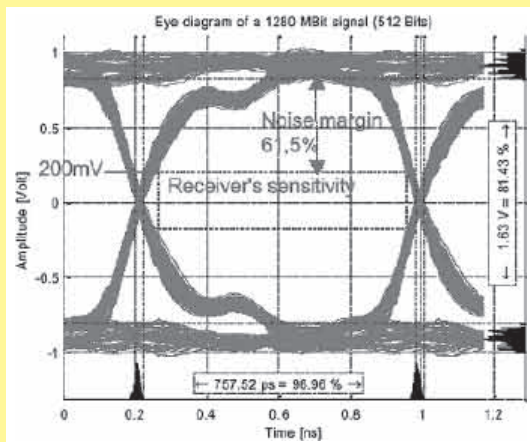


Fig. 1: Eye diagram of a 1280 MBit signal (512 Bits)

The metal shells of the **har-link®** connector are a guarantee for its superior performance in the EMI-polluted environment (see Fig. 2).



Fig. 2: 360° screened-can construction with locking levers

To reach a screening attenuation of more than 50 dB up to 1 GHz, HARTING offers brackets covering each connector in conjunction with a gasket, which is compressed between the bracket and the front panel (see Fig. 3).

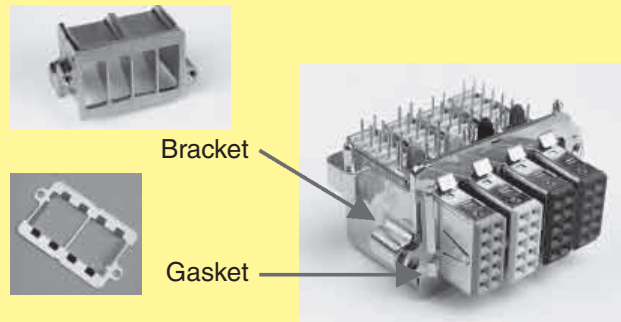


Fig. 3: 4 cavities bracket and gasket

Once plugged, the mated pair shows excellent mating safety. Due to the locking levers on both sides of the male connector, the connection withstands a pulling force of up to 80 N (see Fig. 2).

The high temperature resistant material of the **har-link®** female connector body supports the safe reflow soldering process. For easy identification of female modules, six different colours are available (see Fig. 4).

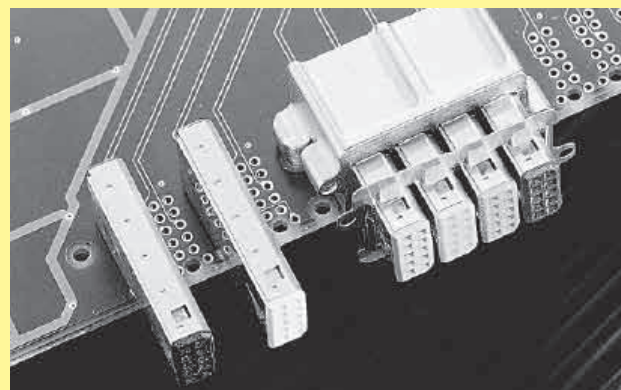


Fig. 4: Female modules

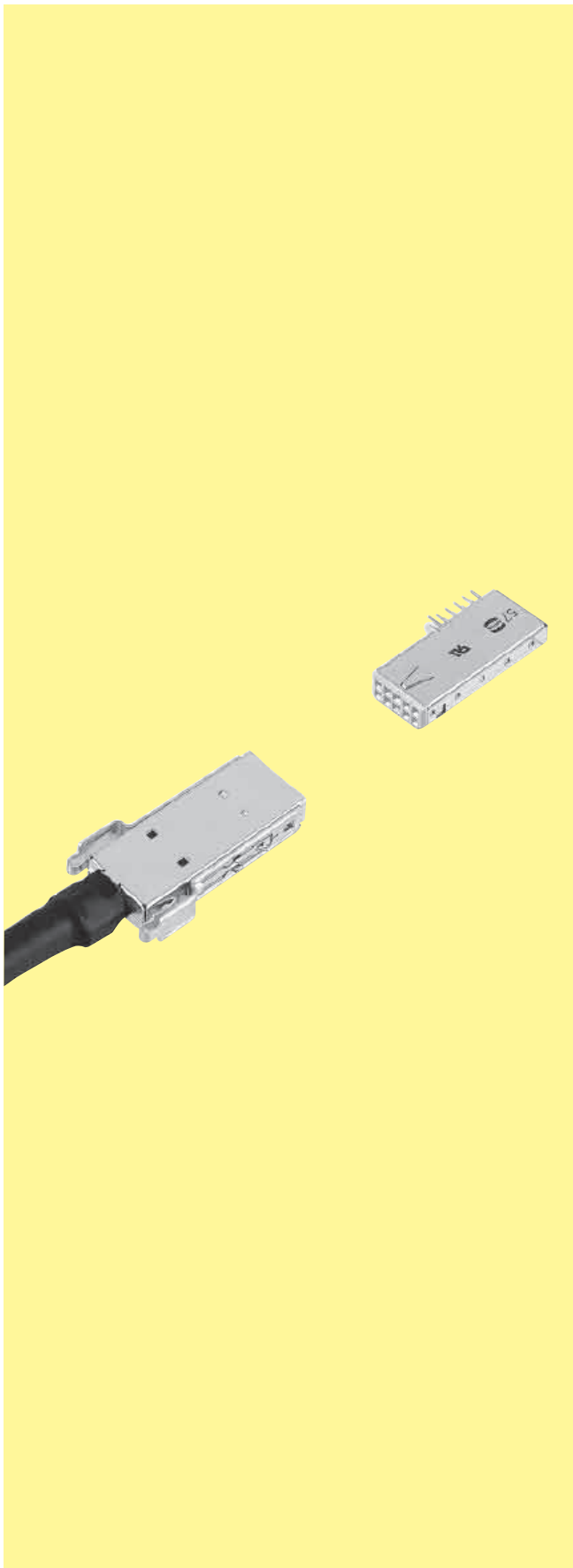
In addition to single connectors, HARTING provides cable assemblies with unshielded twisted pairs or with shielded twisted pairs for high speed applications such as IEEE 1355. A crimping tool range for terminating the male **har-link®** connectors is available.



har-link

har-link

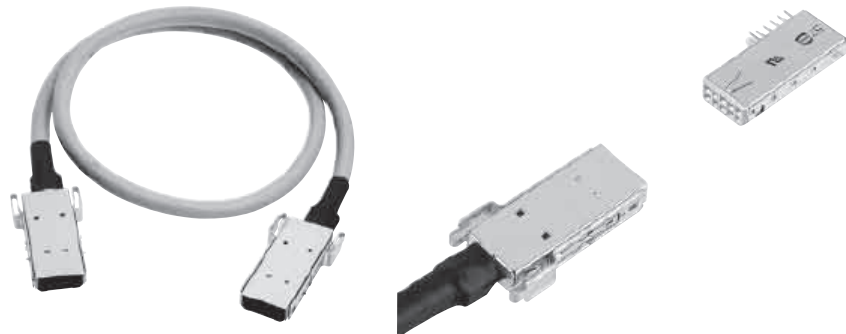
Number of contacts	10
Approvals	IEC 61 076-4-107 UL recognized: E102079
Contact pitch Connector pitch	2 mm 6 mm
Working current	1.5 A at 70 °C
Test voltage U <sub>r.m.s.</sub>	750 V
Contact resistance Insulation resistance	≤ 30 mΩ ≥ 10 <sup>10</sup> Ω
Temperature range during reflow soldering	-55 °C ... + 125 °C female: max. + 260 °C for 60 s
Mating cycles	250, performance level 2
Terminations	Insulation displacement (male), AWG 28/7 - 30/7, AWG 30 solid Solder pins for ø 0.6 mm min. (female)
Insertion force Withdrawal force	10 N max. / module 2 N min. / module (without locking levers)
Latching system	Locking levers
Materials Mouldings	Male connector: Polyester, UL 94-V0 Female connector: High temperature plastic material, UL 94-V0
Contacts Shells	Copper alloy Male connector: Stainless steel Female connector: Silver nickel
Contact surface Contact zone	Selectively gold-plated







har-link

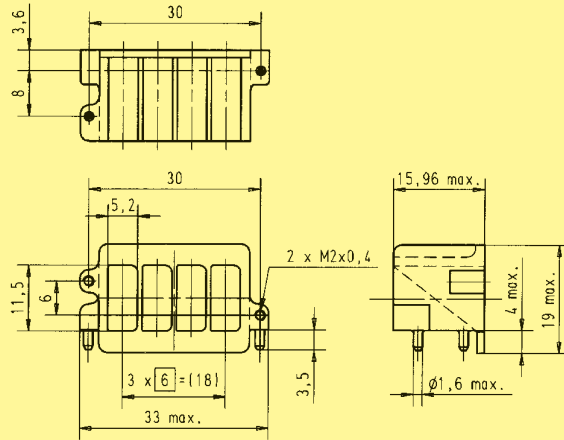


Accessories and cable assemblies

Identification                      Part No.                      Drawing                      Dimensions [mm]

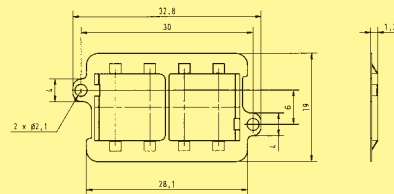
Bracket  
with four cavities

27 71 040 0001



Gasket  
with four cavities

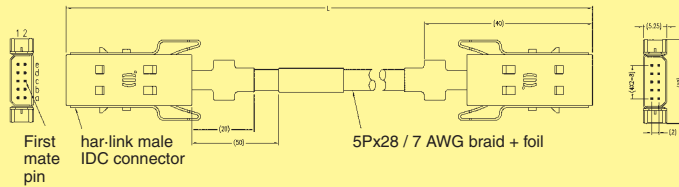
27 71 040 0002



Standard cable assembly  
with **single** shielding  
and 1:1 wiring

Length: L = 0.5 m  
L = 1.0 m  
L = 2.0 m

33 27 243 0500 001  
33 27 243 1000 002  
33 27 243 2000 003



High end cable assembly  
with **double** shielding  
and 1:1 wiring  
suitable for HF applications

Length: L = 0.5 m  
L = 1.0 m  
L = 2.0 m

33 27 243 0500 006  
33 27 243 1000 007  
33 27 243 2000 008

