

**Shielded CHAMP Right Angle PCB Connectors (Continued)**

**Board Locking Grounding**

**Material and Finish**

**Housing, Bracket Adapter Comb and Terminal Support Plate** — Polyester, black

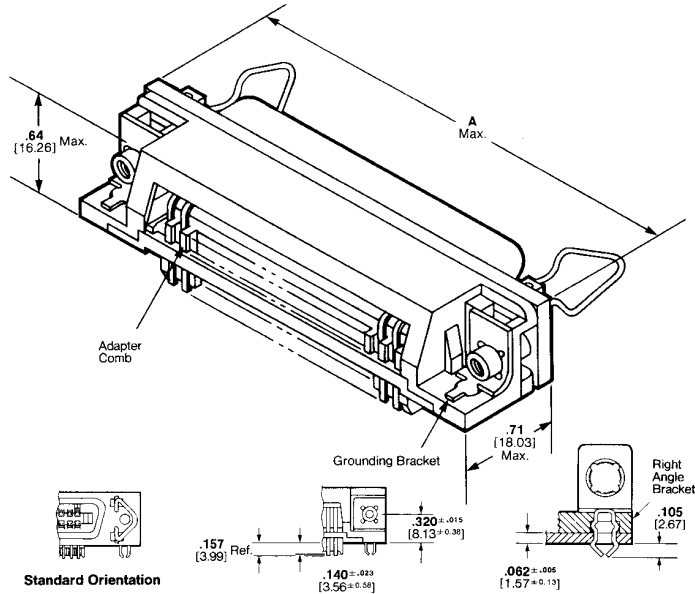
**Bail-Clip** — Passivated stainless steel

**Receptacle Shield** — Bright nickel over copper plated die casting

**Terminals** — Selectively plated gold over nickel plated high strength copper alloy, tin plated tails

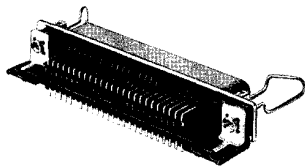
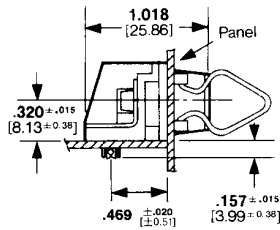
**Ground Bracket** — Tin-lead plated carbon steel

**Note:** See page 82 for Suggested Panel Cutout, Rear Panel Mounting Dimensions



**Rear Panel Mounting Detail (Shown for reference only)**

**Standard Profile Connector**



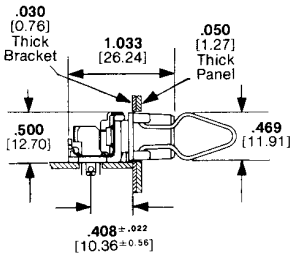
No. of Positions	Dimension A	Hardware Type	Screw Size	Part Numbers		
				Standard	Reverse	Low-Profile
24	2.205 56.01	Screw Lock	6-32	554923-2 <sup>1</sup>	554923-1 <sup>1</sup>	557724-1 <sup>6</sup> 555139-1 <sup>7</sup> 555139-2 <sup>7</sup>
36	2.715 68.96	Bail Lock	4-40	555119-1 <sup>1</sup> 555520-2 <sup>1,5</sup>	—	
50	3.320 84.33	Screw Lock	4-40	557932-2 <sup>8</sup>	557932-1 <sup>8</sup>	

**Special Low-Profile Connectors—Compatible with IBM PC AT and PC XT Computer Modules**

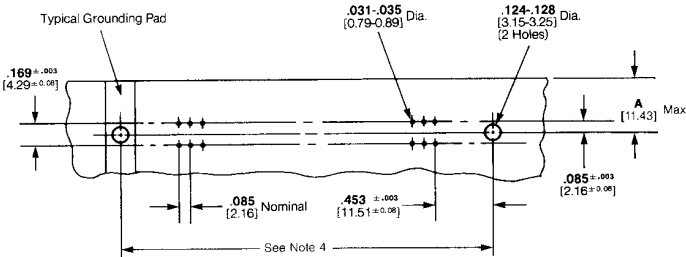
No. of Positions	Dimension A	Hardware Type	Screw Size	Part Numbers	
				Standard	Reverse
50	3.310 84.07	Bail Lock	4-40	555149-12. <sup>3</sup>	555149-3 <sup>3</sup>

**Recommended PC Board Mounting Dimensions**

**Low Profile Connector**



(See chart footnotes)



1. Maximum PC board thickness is .062 [1.57], A = .450
2. SCSI applicable
3. Maximum PC board thickness is .062 [1.57], A = .386
4. 1.842 ± .006 [46.79 ± 0.15] 24 Pos. 2.352 ± .006 [59.74 ± 0.15] 36 Pos. and 2.946 ± .006 [74.83 ± 0.15] 50 Pos.
5. Has drawn metal shield
6. Shielded, standard orientation, board lock, compatible with vapor phase & IR reflow
7. Shielded with ground bracket 4-40 thread (low profile)
8. Plated Backshell

IBM, AT and XT are trademarks of IBM Corporation.