

4

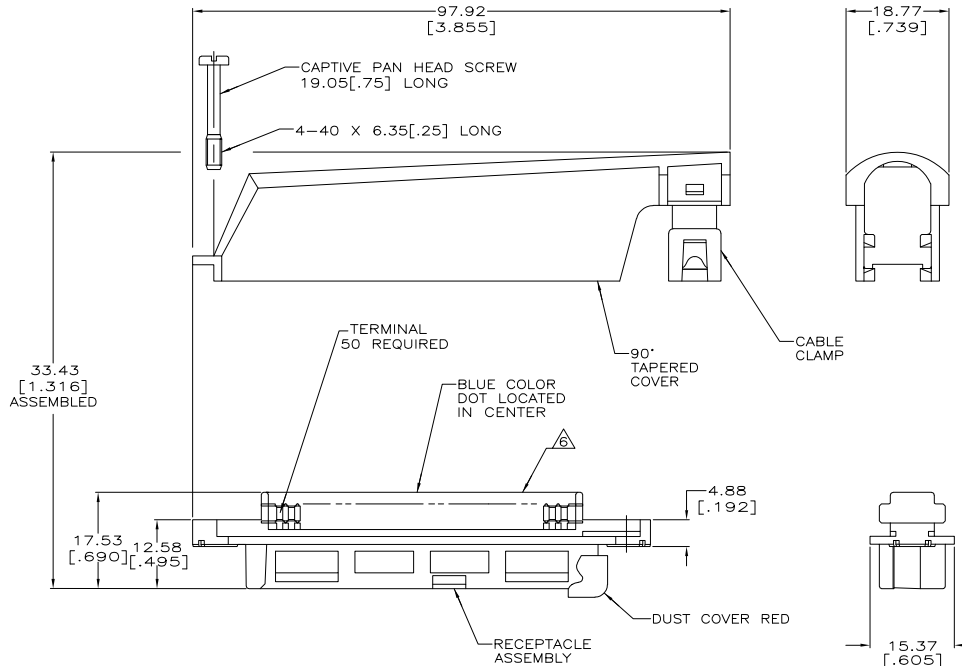
3

2

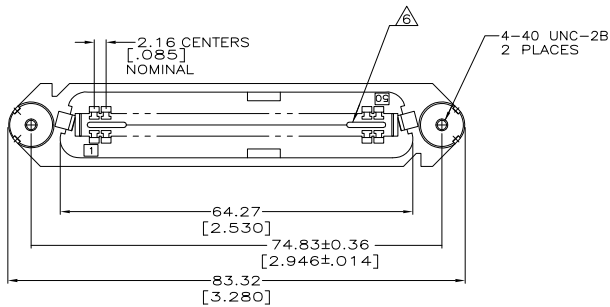
1

THIS DRAWING IS UNPUBLISHED. RELEASED FOR PUBLICATION.  
 © COPYRIGHT 2005 BY TYCO ELECTRONICS CORPORATION. ALL RIGHTS RESERVED.

LOC	DIST	REVISIONS				
GP	00	P	LR	DATE	BY	APPD
		0		RELEASED PER EC 0513-0288-05	23SEP05	GP JG



1. THE CONTACT SURFACES OF THE TERMINALS ARE COATED WITH LUBRICANT.
- △ DIMENSIONS ARE MAXIMUM UNLESS OTHERWISE SPECIFIED.
- △ MATERIAL: HOUSING AND COVER - POLYPHENYLENE OXIDE.  
CABLE CLAMP - POLYESTER MOLDING COMPOUND.  
TERMINALS - GOLD OVER NICKEL PLATED HIGH STRENGTH COPPER ALLOY.  
HARDWARE - ZINC PLATED STEEL.  
DUST COVER - POLYETHYLENE MOLDING COMPOUND.
4. THIS KIT SHIPPED NOT ASSEMBLED.
5. WIRE SIZE: 24 & 26 AWG SOLID & 24 AWG STRAND COPPER CONDUCTORS. MAXIMUM INSULATION DIAMETER OF 1.15 [.045] IS ACCEPTABLE FOR MOST APPLICATIONS.
- △ CORING MAY OR MAY NOT APPEAR AND IS AT THE DISCRETION OF AMP INCORPORATED.



BULK PACKED	Ø7.62-8.26 [Ø.300-.325]	YES	BLACK	6-5229913-7
	Ø8.89-10.80 [Ø.350-.425]	YES	GRAY	6-5229913-4
POLY BAGGED	Ø8.89-10.80 [Ø.350-.425]	YES	BLACK	6-5229913-3
	Ø10.80-12.70 [Ø.425-.500]	NO	BLACK	6-5229913-1
	Ø10.80-12.70 [Ø.425-.500]	YES	BLACK	3-5229913-1
	Ø10.80-12.70 [Ø.425-.500]	NO	BLACK	2-5229913-1
PACKAGING	CABLE RANGE	YES	GRAY	1-5229913-4
		YES	BLACK	1-5229913-1
		NO	GRAY	5229913-4
		NO	BLACK	5229913-1
	DUST COVER		COLOR	PART NUMBER

THIS DRAWING IS A CONTROLLED DOCUMENT.		TYCO ELECTRONICS CORPORATION	
DIMENSIONS: mm [INCHES]	TO FINISHES UNLESS OTHERWISE SPECIFIED.	DATE: 23SEP05	DESCRIPTION: RECEPTACLE KIT, 50 POSITION, B-SLOT, SCREW LOCK, TAPERED COVER, CHAMP-LOK
0 PLC	±	DRW: G. PETERS	SIZE: A2
1 PLC	±	CHK: W. MILLIHINES	CAGE CODE: 00779
2 PLC	±	APPD: M. WALMSLEY	DRAWING NO: C-5229913
3 PLC	±	PRODUCT SPEC:	SCALE: 2:1
4 PLC	±	APPLICATION SPEC:	SHEET: 1 of 1
5 PLC	±	WEIGHT:	REV: 0
6 ANGLE	±	MATERIAL:	
FINISH			

AMP 1471-9 REV 31MAR2000

5229913

B

A