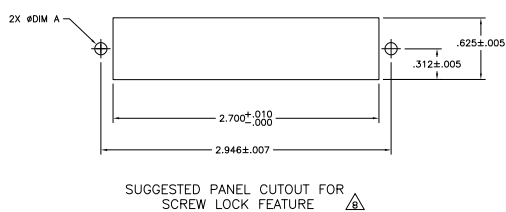
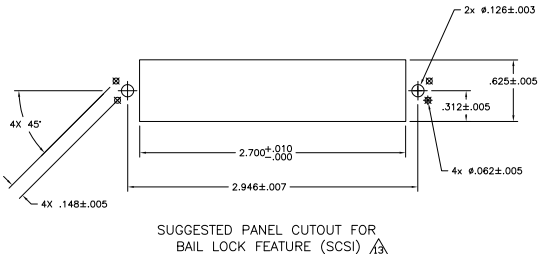
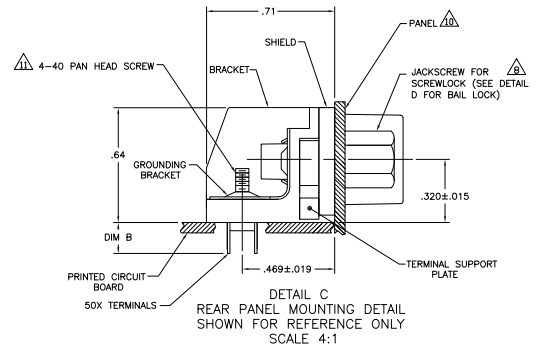


- △ MATERIAL:  
HOUSING, BRACKET, ADAPTER COMB AND TERMINAL SUPPORT PLATE: POLYESTER.  
MOLDING COMPOUND: UL94V-0 RATING, BLACK.  
SHIELD: BRIGHT NICKEL OVER COPPER, PLATED DIE CASTING.  
TERMINALS: TAILS- TIN OVER NICKEL PLATED HIGH STRENGTH COPPER ALLOY.  
MATING SURFACE: LOCALIZED GOLD OVER NICKEL PLATED HIGH STRENGTH COPPER ALLOY.  
GROUNDING BRACKET: ZINC PLATED STEEL.
- 2. THE CONTACT SURFACES OF THE TERMINALS ARE COATED WITH LUBRICANT.
- 3. CENTER-TO-CENTER SPACING OF TERMINALS IS .085 NOMINAL.
- 4. ALL DIMENSIONS SHOWN ARE MAXIMUM UNLESS OTHERWISE SPECIFIED.
- △ DETAILS A & B ARE VIEWED FROM MATING SIDE OF RECEPTACLE ASSEMBLY.
- △ TERMINAL 1 IS LOCATED IN THIS ROW FOR STANDARD ORIENTATION.
- △ TERMINAL 1 IS LOCATED IN THIS ROW FOR REVERSE ORIENTATION.
- △ SCREWS SHOWN FOR REFERENCE ONLY, RECOMMENDED HARDWARE KIT 5554272-1 FOR USE WITH PART NUMBER 5553813-3 & 4. WHEN SCREW LOCK FEATURE IS REQUIRED.
- 9. SHIELD IS ASSEMBLED TO CONNECTOR BEFORE SHIPMENT.
- △ PANEL THICKNESS RANGE: .062 MAX.
- △ STAINLESS STEEL SCREWS RECOMMENDED, BECAUSE OF CONTACT WITH SOLDER BATH.
- △ HOLES TO BE TAPPED AFTER PLATING.
- △ USE HARDWARE KIT 554818-2 FOR PART NUMBERS 5553813-3 & 4. WHEN BAIL LOCK FEATURE IS REQUIRED.
- △ THE BAIL LOCK FEATURE HAS APPLICATION FOR SMALL COMPUTER SYSTEMS INTERFACE (SCSI).



.157 ± .015	.126 ± .003	4-40 UNC-2B	REVERSE	B	5553813-4
.157 ± .015	.126 ± .003	4-40 UNC-2B	STANDARD	A	5553813-3
DIM B TERMINALS	DIM A HOLE	SHIELD HOLE SIZE	ORIENTATION	DETAIL	PART NUMBER

THIS DRAWING IS A CONTROLLED DOCUMENT. TYS ELECTRONICS CORPORATION, HARRISBURG, PA 17105-2608. CUSTOMER DRAWING. DATE: 007791G=5553813. SCALE: 2:1. SHEET: 1 OF 02.