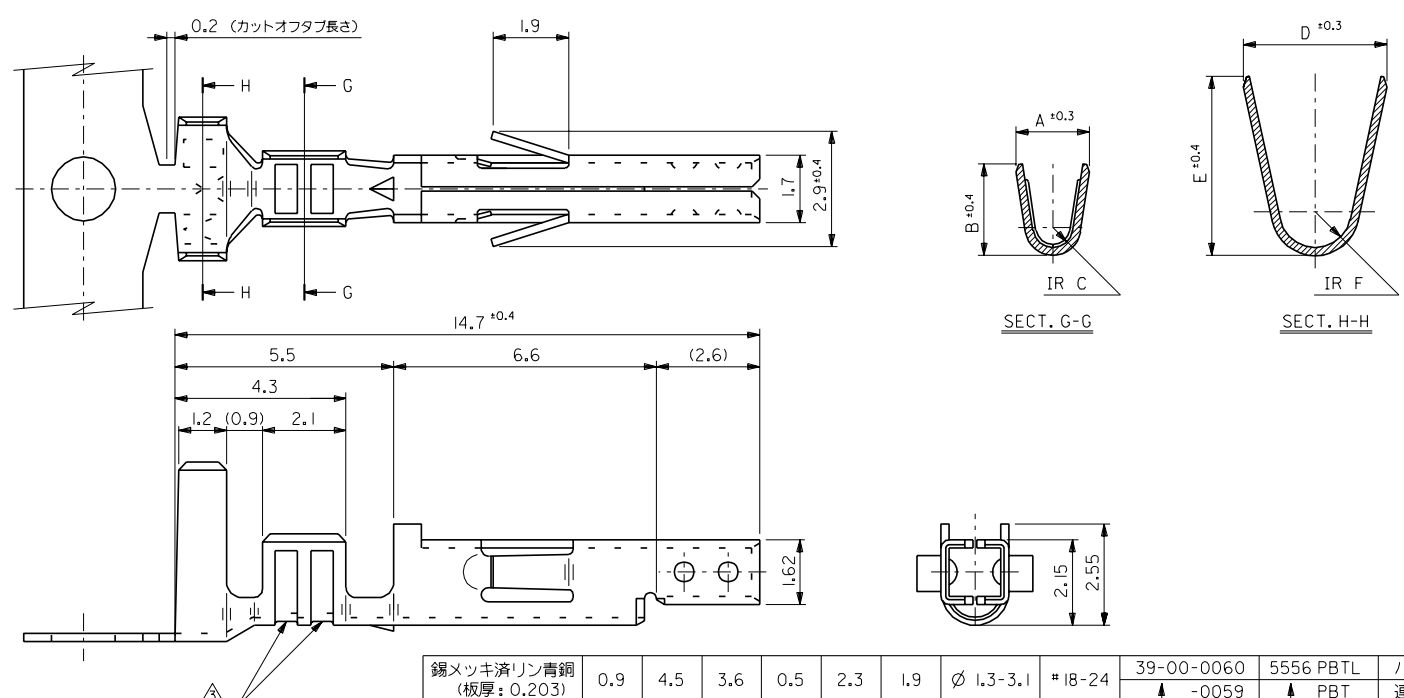


EDP NO. 39-00-00\*\* SD-5556\*\*\*\*  
 ENG. NO. 39-00-00\*\*  
 DIMENSIONS IN METRIC DO NOT SCALE DRAWING



錫メッキ済リン青銅 (板厚: 0.203)	0.9	4.5	3.6	0.5	2.3	1.9	∅ 1.3-3.1	# 18-24	39-00-0060	5556 PBT	バラ状
									-0059	PBT	連鎖状
錫メッキ済黄銅 (板厚: 0.203)	0.6	2.3	2.3	0.4	1.65	1.8	∅ 0.9-1.8	# 22-28	-0047	T2L	バラ状
									-0046	T2	連鎖状
	0.9	4.5	3.6	0.5	2.3	1.9	∅ 1.3-3.1	# 18-24	-0039	TL	バラ状
材料	F	E	D	C	B	A	被覆外径	適用電線	EDP NO.	ENG. NO.	端子形状
									39-00-0038	5556 T	連鎖状

注記  
 1. 適合ハウジング: 5557 シリーズ  
 2. 嵌合相手 : 5558, 5566, 5569 シリーズ  
 △ 適用電線が # 22-28 の製品のセレーション数は 1 とする。

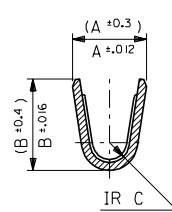
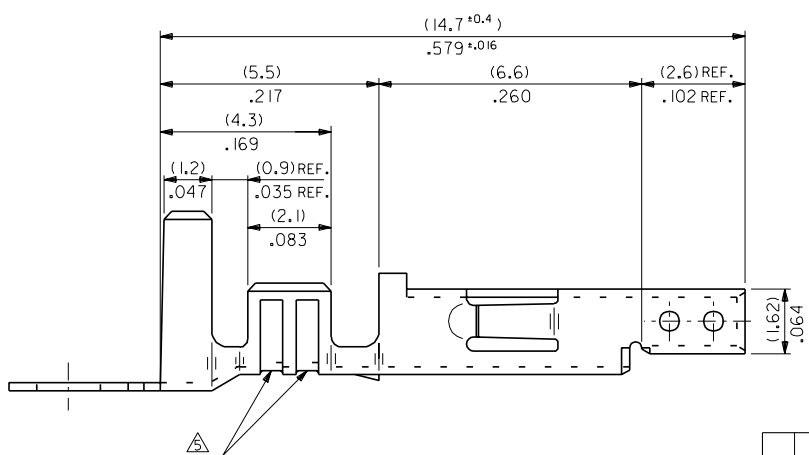
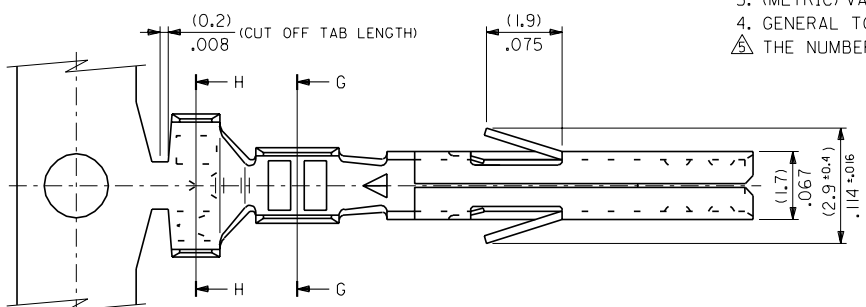
角度 ANGLE		±3°	F	変更	WC90279	Y.K.	98/11/6	仕上げ FINISH	—	表参照	MOLEX JAPAN CO., LTD. 日本モレックス株式会社	EDP NO. 39-00-00**	REV G
30 以上 OVER		±0.3	E	変更	WC90012	Y.K.	98/7/6	適用電線範囲 WIRE RANGE	表参照	ENG. NO. SD-5556****			
10 以上 30 未満 OVER UNDER		±0.25	D	変更&再作図 (J10380)	H.H.	Y.K.	98/5/6	被覆外径 INS. RANGE	表参照	TITLE 名称 NEW MINI. FIT CONN. CRIMP RECEPTACLE			
10 未満 UNDER		±0.2	記号 LTR		変更内容 REVISION RECORD	DR. CHK.	日付 DATE	DRAWN BY 9/5/8 H.HIRAMOTO	CHK'D BY 9/11/8 K.T.S.KUNISHI	尺度 SCALE 10 - 1			
一般公差 GENERAL TOLERANCES			REVISE ONLY ON CAD SYSTEM				M.FUKUSHIMA						

THIS DRAWING CONTAINS INFORMATION THAT IS PROPRIETARY TO MOLEX JAPAN AND SHOULD NOT BE USED WITHOUT WRITTEN PERMISSION  
 本図面は日本モレックス(株)の所有する情報を含むもので 当社の許可なく複製を禁止する。 MXJ-8

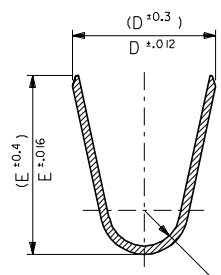
EDP NO. SHEET 1 OF 2  
 SEE SHEET 2 OF 2  
 SD-5556\*\*\*\*  
 DIMENSIONS IN METRIC DO NOT SCALE DRAWING

NOTES

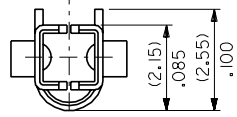
1. APPLICABLE HOUSING : 5557 SERIES.
  2. MATES WITH TERMINAL : 5558, 5566, 5569 SERIES.
  3. (METRIC) VALUES SHOWN GOVERN OVER ENGLISH CONVERSION VALUES.
  4. GENERAL TOLERANCES OF ENGLISH CONVERSION VALUES : ±.008 INCH.
- △ THE NUMBER OF SERRATIONS TO BE ONE FOR WIRE RANGE #22-28.



SECT. G-G



SECT. H-H



		材料 MATERIAL		SEE SHEET 2 OF 2	MOLEX-JAPAN CO.,LTD. 日本モレックス株式会社	
		仕上げ FINISH		SEE SHEET 2 OF 2	EDP. NO. SEE SHEET 2 OF 2	
角度 ANGLE		±30	H	REVISED (JC90279) Y.K. S.K. 98/11/6	適用電線範囲 WIRE RANGE SEE SHEET 2 OF 2	
30以上 OVER		±0.3	G	REVISED (JC90012) Y.K. S.K. 98/7/6	被覆外径 INS. RANGE SEE SHEET 2 OF 2	
10以上 未過 OVER 30 UNDER		±0.25	F	REVISED & REDRAWN (J03381) H.H. 98/5/6	DRAWN BY 9/5/8 CHK'D BY 9/11/8 H.HIRAMOTO K.T.S.KUNISHI	
10 UNDER		±0.2	記号 LTR	変更内容 REVISION RECORD DR. CHK. DATE	APPR'D BY 9/11/8 尺度 SCALE 10 - 1 M.FUKUSHIMA	
一般公差 GENERAL TOLERANCES		REVISE ONLY ON CAD SYSTEM			TITLE 名称 NEW MINI. FIT CONN. CRIMP RECEPTACLE	

THIS DRAWING CONTAINS INFORMATION THAT IS PROPRIETARY TO MOLEX/JAPAN AND SHOULD NOT BE USED WITHOUT WRITTEN PERMISSION  
 本図面は日本モレックス(株)の所有する情報を含むもので 当社の許可なく複製を禁止する。

8 7 6 5 4 3 2 1

	(0.9)	(4.5)	(3.6)	(0.6)	(2.7)	(2.3)	(3.1)	#16	39-00-0119	5556 PBS3L	LOOSE	
TIN OVER NICKEL PLATED PHOSPHOR BRONZE	.035	.177	.142	.024	.106	.091	∅ .122 MAX.		↑ -0118	↑ PBS3	CHAIN	
	(0.6)	(2.3)	(2.3)	(0.4)	(1.65)	(1.8)	∅ (0.9-1.8)	#22-28	-0117	PBS2L	LOOSE	
	.024	.091	.091	.016	.065	.071	∅ .035-.071		-0116	PBS2	CHAIN	
TIN PLATED PHOSPHOR BRONZE	(0.9)	(4.5)	(3.6)	(0.5)	(2.3)	(1.9)	∅ (1.3-3.1)	#18-24	-0115	PBSL	LOOSE	
	.035	.177	.142	.020	.091	.075	∅ .051-.122		-0114	PBS	CHAIN	
	(0.9)	(4.5)	(3.6)	(0.6)	(2.7)	(2.3)	∅ (3.1) MAX.	#16	-0080	PBT3L	LOOSE	
TIN OVER NICKEL PLATED BRASS	.035	.177	.142	.024	.106	.091	∅ .122 MAX.	#16	-0079	PBT3	CHAIN	
	(0.6)	(2.3)	(2.3)	(0.4)	(1.65)	(1.8)	∅ (0.9-1.8)	#22-28	-0066	PBT2L	LOOSE	
	.024	.091	.091	.016	.065	.071	∅ .035-.071		-0065	PBT2	CHAIN	
TIN OVER COPPER PLATED BRASS	(0.9)	(4.5)	(3.6)	(0.5)	(2.3)	(1.9)	∅ (1.3-3.1)	#18-24	-0060	PBTL	LOOSE	
	.035	.177	.142	.020	.091	.075	∅ .051-.122		-0059	PBT	CHAIN	
	(0.9)	(4.5)	(3.6)	(0.6)	(2.7)	(2.3)	∅ (3.1) MAX.	#16	-0113	S3L	LOOSE	
MATERIAL	.035	.177	.142	.024	.106	.091	∅ .122 MAX.	#16	-0112	S3	CHAIN	
	(0.6)	(2.3)	(2.3)	(0.4)	(1.65)	(1.8)	∅ (0.9-1.8)	#22-28	-0111	S2L	LOOSE	
	.024	.091	.091	.016	.065	.071	∅ .035-.071		-0110	S2	CHAIN	
MATERIAL	(0.9)	(4.5)	(3.6)	(0.5)	(2.3)	(1.9)	∅ (1.3-3.1)	#18-24	-0109	SL	LOOSE	
	.035	.177	.142	.020	.091	.075	∅ .051-.122		-0108	S	CHAIN	
	(0.9)	(4.5)	(3.6)	(0.6)	(2.7)	(2.3)	∅ (3.1) MAX.	#16	-0078	T3L	LOOSE	
MATERIAL	.035	.177	.142	.024	.106	.091	∅ .122 MAX.	#16	-0077	T3	CHAIN	
	(0.6)	(2.3)	(2.3)	(0.4)	(1.65)	(1.8)	∅ (0.9-1.8)	#22-28	-0047	T2L	LOOSE	
	.024	.091	.091	.016	.065	.071	∅ .035-.071		-0046	T2	CHAIN	
MATERIAL	(0.9)	(4.5)	(3.6)	(0.5)	(2.3)	(1.9)	∅ (1.3-3.1)	#18-24	↓ -0039	↓ TL	LOOSE	
	.035	.177	.142	.020	.091	.075	∅ .051-.122		39-00-0038	5556 T	CHAIN	
	MATERIAL		F	E	D	C	B	A	INS. RANGE	WIRE RANGE	EDP NO.	ENG. NO.

材料 MATERIAL		SEE CHART	MOLEX MOLEX-JAPAN CO.,LTD. 日本モレックス株式会社
THICKNESS : (0.203)/.008			
仕上げ FINISH		SEE CHART	EDP. NO.
適用電線範囲 WIRE RANGE		SEE CHART	SEE CHART
被覆外径 INS. RANGE		SEE CHART	ENG. NO. SHEET 2 OF 2 REV
DRAWN BY 9/5/08 H.HIRAMOTO		CHK'D BY 9/11/09 K.T.S.KUNISHI	SD-5556**** J
APPRO'D BY 9/11/09 M.FUKUSHIMA		尺度 SCALE 10 - 1	TITLE 名称 NEW MINI, FIT CONN. CRIMP RECEPTACLE

角度 ANGLE	±3°	H	SEE SHEET 1 OF 2	Y.K.S.K.	9/11/06
30°以上 OVER	±0.3	G	SEE SHEET 1 OF 2	Y.K.S.K.	9/17/06
10°以上 未過 UNDER 30°	±0.25	F	SEE SHEET 1 OF 2	Y.K.S.K.	9/15/06
未過 UNDER 10°	±0.2	記号 LTR	変更内容 REVISION RECORD	DR. CHK.	日付 DATE

REVISION RECORD  
DRAWN BY 9/5/08 H.HIRAMOTO  
CHK'D BY 9/11/09 K.T.S.KUNISHI  
APPRO'D BY 9/11/09 M.FUKUSHIMA  
尺度 SCALE 10 - 1

THIS DRAWING CONTAINS INFORMATION THAT IS PROPRIETARY TO MOLEX/JAPAN AND SHOULD NOT BE USED WITHOUT WRITTEN PERMISSION  
本図面は日本モレックス(株)の所有する情報を含むもので 当社の許可なく複製を禁止する。 MXJ-8