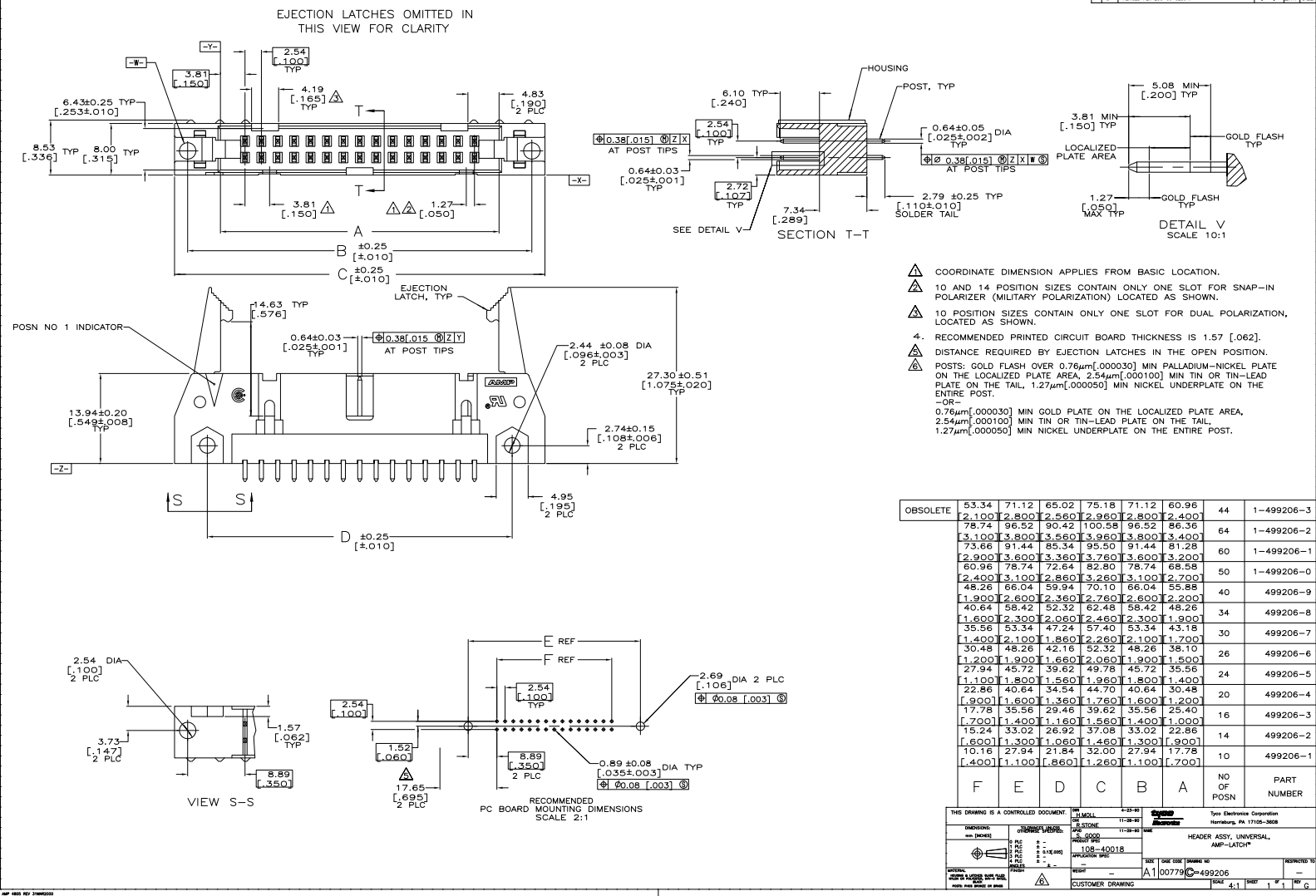


REV	DATE	DESCRIPTION	BY	CHK	APP
00					
01		REVISED PER ECO-06-03847			



- △ COORDINATE DIMENSION APPLIES FROM BASIC LOCATION.
- △ 10 AND 14 POSITION SIZES CONTAIN ONLY ONE SLOT FOR SNAP-IN POLARIZER (MILITARY POLARIZATION) LOCATED AS SHOWN.
- △ 10 POSITION SIZES CONTAIN ONLY ONE SLOT FOR DUAL POLARIZATION, LOCATED AS SHOWN.
- 4. RECOMMENDED PRINTED CIRCUIT BOARD THICKNESS IS 1.57 [0.62].
- △ DISTANCE REQUIRED BY EJECTION LATCHES IN THE OPEN POSITION.
 POSTS: GOLD FLASH OVER 0.76μm[0.00030] MIN PALLADIUM-NICKEL PLATE ON THE LOCALIZED PLATE AREA, 2.54μm[0.00100] MIN TIN OR TIN-LEAD PLATE ON THE TAIL, 1.27μm[0.00050] MIN NICKEL UNDERPLATE ON THE ENTIRE POST.
 -OR-
 0.76μm[0.00030] MIN GOLD PLATE ON THE LOCALIZED PLATE AREA, 2.54μm[0.00100] MIN TIN OR TIN-LEAD PLATE ON THE TAIL, 1.27μm[0.00050] MIN NICKEL UNDERPLATE ON THE ENTIRE POST.

OBSOLETE	53.34	71.12	65.02	75.18	71.12	60.96	44	1-499206-3
	2.100	2.800	2.560	2.960	2.800	2.400		
	78.74	96.52	90.42	100.58	96.52	86.36	64	1-499206-2
	3.100	3.800	3.560	3.960	3.800	3.400		
	73.66	91.44	85.34	95.50	91.44	81.28	60	1-499206-1
	2.900	3.600	3.360	3.760	3.600	3.200		
	60.96	78.74	72.64	82.80	78.74	68.58	50	1-499206-0
	2.400	3.100	2.860	3.260	3.100	2.700		
	48.26	66.04	59.94	70.10	66.04	55.88	40	499206-9
	1.900	2.600	2.360	2.760	2.600	2.200		
	40.64	58.42	52.32	62.48	58.42	48.26	34	499206-8
	1.600	2.300	2.060	2.460	2.300	1.900		
	35.56	53.34	47.24	57.40	53.34	43.18	30	499206-7
	1.400	2.100	1.860	2.260	2.100	1.700		
	30.48	48.26	42.16	52.32	48.26	38.10	26	499206-6
	1.200	1.900	1.660	2.060	1.900	1.500		
	27.94	45.72	39.62	49.78	45.72	35.56	24	499206-5
	1.100	1.800	1.560	1.960	1.800	1.400		
	22.86	40.64	34.54	44.70	40.64	30.48	20	499206-4
	1.000	1.600	1.360	1.760	1.600	1.200		
	17.78	35.56	29.46	39.62	35.56	25.40	16	499206-3
	1.000	1.400	1.160	1.560	1.400	1.000		
	15.24	33.02	26.92	37.08	33.02	22.86	14	499206-2
	1.000	1.300	1.060	1.460	1.300	1.000		
	10.16	27.94	21.84	32.00	27.94	17.78	10	499206-1
	1.000	1.100	1.060	1.160	1.100	1.000		

THIS DRAWING IS A CONTROLLED DOCUMENT. TTI MFG. 11-28-87
 TTI ELECTRONICS CORPORATION
 HARRISBURG, PA 17105-3608
 108-40018
 100779 G=499206
 CUSTOMER DRAWING