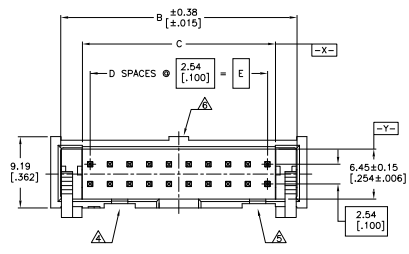
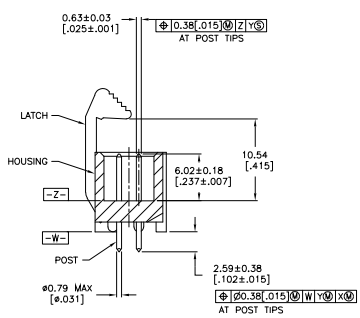
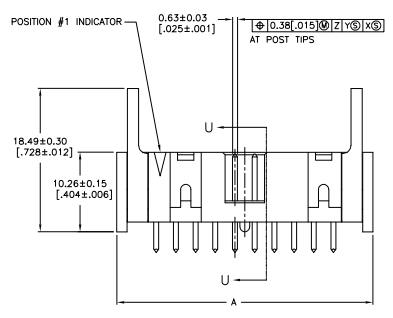


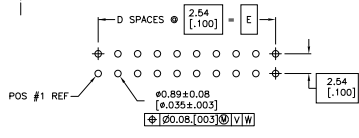
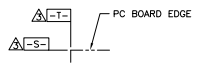
REV	DATE	DESCRIPTION	BY	CHK	APP
00					
0		REVISED PER EC 0513-0659-04	DAKMAN	REC	SB



- △ HOUSING: PBT, UL94V-0, COLOR: (SEE TABLE).
- POSTS: PHOSPHOR BRONZE.
- LATCHES: ZINC ALLOY.
- △ POSTS: 0.00076 [0.00030] MIN GOLD ON MATING AREA, 0.0025 [0.00100] MIN TIN ON SOLDER END, ALL OVER 0.00127 [0.00050] MIN NICKEL ON ENTIRE POST.
- LATCHES: BLACK CHROMATE.
- △ DATUMS S & T TO BE ESTABLISHED BY CUSTOMER.
- △ NO KEYING SLOT ON THIS END FOR 6, 8, 10 & 14 POSITION ASSEMBLIES.
- △ NO KEYING SLOT ON THIS END FOR 6, 8 & 10 POSITION ASSEMBLIES.
- △ NO STANDOFF FOR 6, 10, 14 & 16 POSITION ASSEMBLIES.



SECTION U-U



HOUSING COLOR	E	D	C	B	A	NO OF POS	PART NUMBER
BLUE	78.74 [3.100]	31	80.77 [3.180]	86.26 [3.396]	88.90 [3.500]	64	3-1761608-7
	73.66 [2.900]	29	75.69 [2.980]	81.18 [3.196]	83.82 [3.300]	60	3-1761608-6
	60.96 [2.400]	24	62.99 [2.480]	68.48 [2.696]	71.12 [2.800]	50	3-1761608-5
	48.26 [1.900]	19	50.29 [1.980]	55.78 [2.196]	58.42 [2.300]	40	3-1761608-3
	43.18 [1.700]	17	45.21 [1.780]	50.70 [1.996]	53.34 [2.100]	36	3-1761608-2
	40.64 [1.600]	16	42.67 [1.680]	48.16 [1.896]	50.80 [2.000]	34	3-1761608-1
	35.56 [1.400]	14	37.59 [1.480]	43.08 [1.696]	45.72 [1.800]	30	3-1761608-0
	30.48 [1.200]	12	32.51 [1.280]	38.00 [1.496]	40.64 [1.600]	26	2-1761608-9
	27.94 [1.100]	11	29.97 [1.180]	35.46 [1.396]	38.10 [1.500]	24	2-1761608-8
	22.86 [900]	9	24.89 [980]	30.36 [1.196]	33.02 [1.300]	20	2-1761608-7
	17.78 [700]	7	19.81 [780]	25.30 [996]	27.94 [1.100]	16	2-1761608-6
	15.24 [600]	6	17.27 [680]	22.76 [896]	25.40 [1.000]	14	2-1761608-5
	10.16 [400]	4	12.19 [480]	17.68 [696]	20.32 [800]	10	2-1761608-3
	7.62 [300]	3	9.65 [380]	15.14 [596]	17.78 [700]	8	2-1761608-2
5.08 [200]	2	7.11 [280]	12.60 [496]	15.24 [600]	6	2-1761608-1	
BLACK	78.74 [3.100]	31	80.77 [3.180]	86.26 [3.396]	88.90 [3.500]	60	1-1761608-6
	73.66 [2.900]	29	75.69 [2.980]	81.18 [3.196]	83.82 [3.300]	60	1-1761608-6
	60.96 [2.400]	24	62.99 [2.480]	68.48 [2.696]	71.12 [2.800]	50	1-1761608-5
	48.26 [1.900]	19	50.29 [1.980]	55.78 [2.196]	58.42 [2.300]	40	1-1761608-3
	43.18 [1.700]	17	45.21 [1.780]	50.70 [1.996]	53.34 [2.100]	36	1-1761608-2
	40.64 [1.600]	16	42.67 [1.680]	48.16 [1.896]	50.80 [2.000]	34	1-1761608-1
	35.56 [1.400]	14	37.59 [1.480]	43.08 [1.696]	45.72 [1.800]	30	1-1761608-0
	30.48 [1.200]	12	32.51 [1.280]	38.00 [1.496]	40.64 [1.600]	26	1761608-9
	27.94 [1.100]	11	29.97 [1.180]	35.46 [1.396]	38.10 [1.500]	24	1761608-8
	22.86 [900]	9	24.89 [980]	30.36 [1.196]	33.02 [1.300]	20	1761608-7
	17.78 [700]	7	19.81 [780]	25.30 [996]	27.94 [1.100]	16	1761608-6
	15.24 [600]	6	17.27 [680]	22.76 [896]	25.40 [1.000]	14	1761608-5
	10.16 [400]	4	12.19 [480]	17.68 [696]	20.32 [800]	10	1761608-3
	7.62 [300]	3	9.65 [380]	15.14 [596]	17.78 [700]	8	1761608-2
5.08 [200]	2	7.11 [280]	12.60 [496]	15.24 [600]	6	1761608-1	

THIS DRAWING IS A CONTROLLED DOCUMENT. TFC ELECTRONICS CORPORATION
 DRAWING NO: 00779G-1761608
 REV: 4.1
 DATE: 05/13/04
 BY: DAKMAN
 CHECKED: REC
 APPROVED: SB
 TFC ELECTRONICS CORPORATION
 HARRISBURG, PA 17105
 HEADLINE ASSEMBLY, SHORT EJECT LATCH, VERTICAL, LOW PROFILE, IDC
 CUSTOMER DRAWING

COPYRIGHT 2005
 TFC ELECTRONICS CORP
 ALL RIGHTS RESERVED