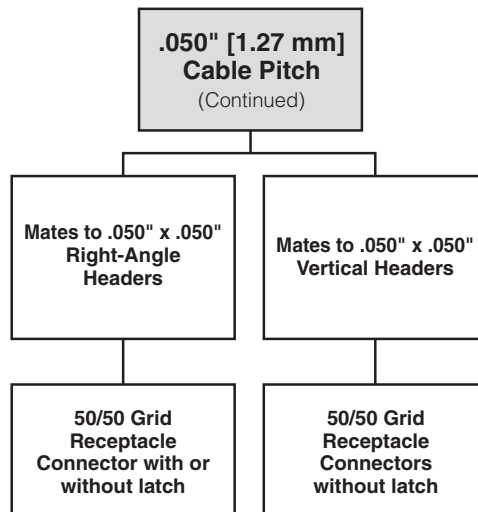
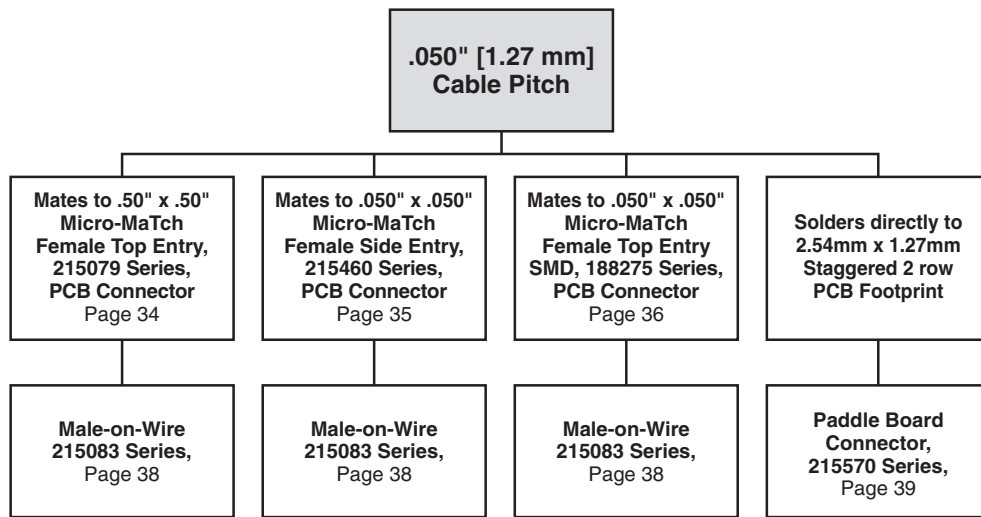
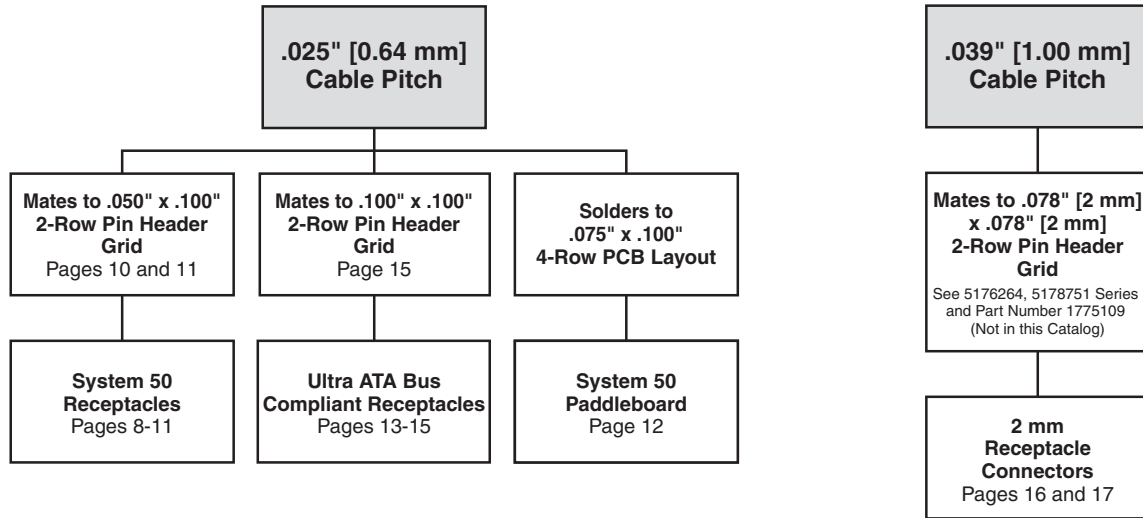


Ribbon Cable Interconnect Solutions

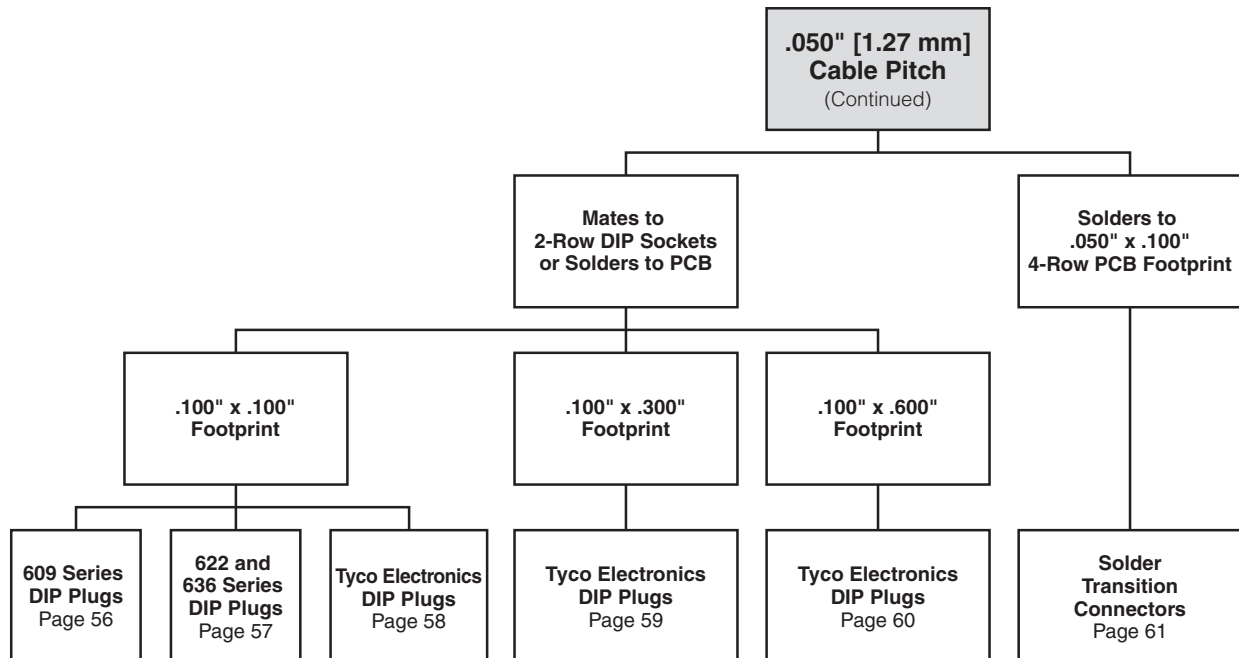
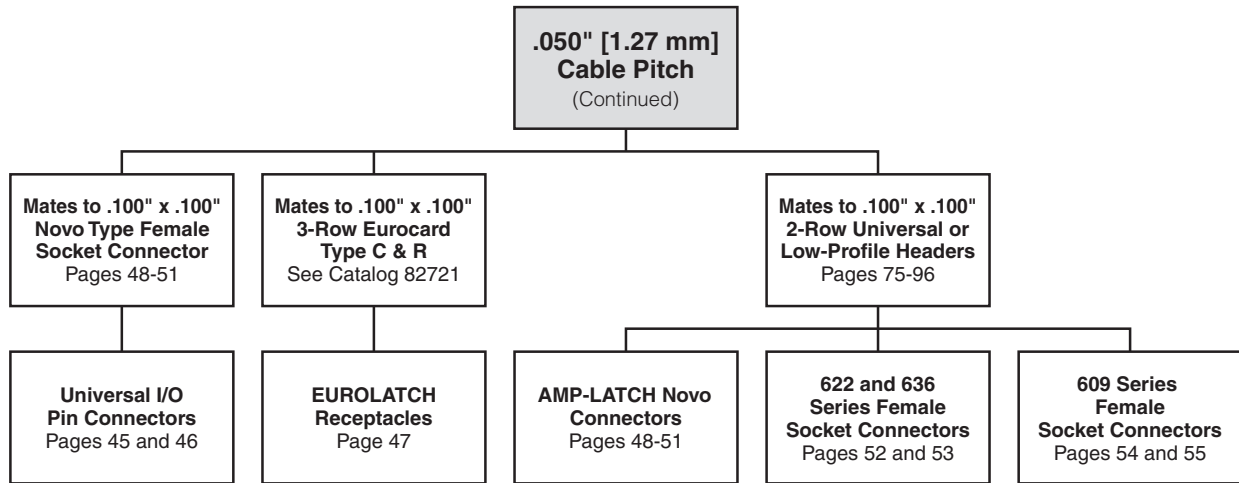
RoHS
Ready 

 **Tyco Electronics**
Our commitment. Your advantage.

Ribbon Cable Connector Selection Guide



Ribbon Cable Connector Selection Guide (Continued)



Introduction

Disclaimer

While Tyco Electronics Corporation and its affiliates referenced herein ("Tyco Electronics") have made every reasonable effort to ensure the accuracy of the information in this catalog, Tyco Electronics does not guarantee that it is error-free, nor does Tyco Electronics make any other representation, warranty or guarantee that the information is accurate, correct, reliable or current. Tyco Electronics reserves the right to make any adjustments to the information contained herein at any time without notice. Tyco Electronics expressly disclaims all implied warranties regarding the information contained herein, including, but not limited to, any implied warranties of merchantability or fitness for a particular purpose. Tyco Electronics' only obligations are those in the Tyco Electronics Standard Terms and Conditions of Sale, and in no case will Tyco Electronics be responsible for any incidental, indirect, or consequential damages arising from the sale, resale, use, or misuse of its products. Users should independently evaluate the suitability of, and test each product for, their application.

The dimensions, specifications, designs, construction, materials and processes in this catalog are for reference purposes only and are subject to change without notice. Please consult Tyco Electronics for the most current product information.

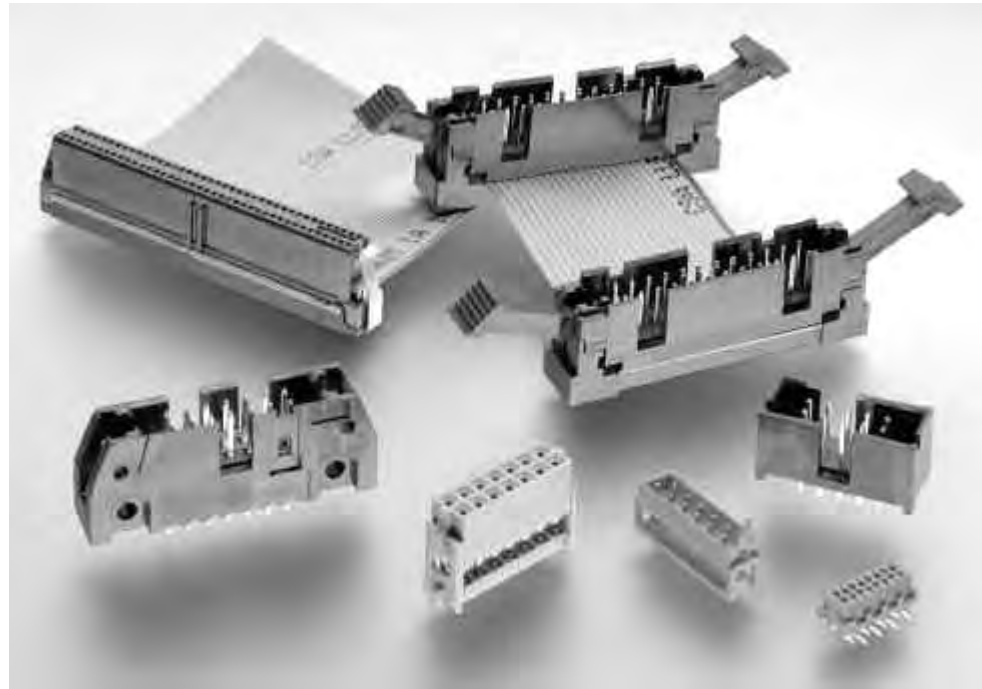
The export of certain Tyco Electronics products is restricted by the Arms Export Control Act (Title 22, U.S.C. Sec 2751, et seq.) or the Export Administration Act of 1979, as amended (Title 50, U.S.C., App. 2401 et seq.). Orders may be subject to export approval by the U.S. Government. Buyer must comply with all applicable export laws of all applicable jurisdictions.

© 2009, 1999, 1998, 1996, 1995, 1993, 1992, 1989, 1988, 1986, 1985, 1983, 1982, 1977, 1976, 1974 and 1973 Tyco Electronics Corporation. All Rights Reserved.

AMP, AMPLIMITE, AMPMODU, ACTION PIN, AMP-LATCH, MICRO-MATCH, CHAMP, EUROLATCH, TE LOGO and TYCO ELECTRONICS are trademarks of the Tyco Electronics group of companies and its licensors..

Other products, logos, and company names mentioned herein may be trademarks of their respective owners.

See inside back cover for Global Contacts and phone numbers.



Restriction on the use of Hazardous Substances (RoHS)

At Tyco Electronics, we're ready to support your RoHS requirements. We've assessed more than 1.5 million end items/components for RoHS compliance, and issued new part numbers where any change was required to eliminate the restricted materials. Part numbers in this catalog are identified as:

RoHS Compliant — Part numbers in this catalog are RoHS Compliant, unless marked otherwise. These products comply with European Union Directive 2002/95/EC as amended 1 January 2006 that restricts the use of lead, mercury, cadmium, hexavalent chromium, PBB, and PBDE in certain electrical and electronic products sold into the EU as of 1 July 2006.

NOTE: For purposes of this Catalog, included within the definition of RoHS Compliant are products that are clearly "Out of Scope" of the RoHS Directive such as hand tools and other non-electrical accessories.

NOTE: Information regarding RoHS compliance is provided based on reasonable inquiry of our suppliers and represents our current actual knowledge based on the information provided by our suppliers. This information is subject to change. For latest compliance status, refer to our website referenced at right.

Getting the Information You Need

Our comprehensive on-line RoHS Customer Support Center provides a forum to answer your questions and support your RoHS needs. A RoHS FAQ (Frequently Asked Questions) is available with links to more detailed information. You can also submit RoHS questions and receive a response within 24 hours during a normal work week. The Support Center also provides:

- Cross-Reference from Non-compliant to Compliant Products
- Ability to browse RoHS Compliant Products in our on-line catalog
- Downloadable Technical Data Customer Information Presentation
- More detailed information regarding the definitions used above
- So whatever your questions when it comes to RoHS, we've got the answers at www.tycoelectronics.com/leadfree

**RoHS
Customer
Support
Center**

Introduction (Continued)

Mass termination capabilities of the ribbon cable connectors have helped make ribbon cable, and particularly .050 [0.127] centerline cable, popular within the electronics industry. The ability to terminate up to 64 conductors simultaneously, without stripping or otherwise pre-paring the cable, presents obvious labor savings.

Ribbon Cable Connectors are wire-to-board devices used to make the transition between cable and pc board circuitry. They find heavy use within equipment to connect one board to another or one subsystem to another. The connectors are also used in input/output applications, connecting different pieces of equipment.

Ribbon Cable Solutions are available on three separate cable centerline spacings. They include:

.025 [0.64] Centerlines

- System 50 receptacles
- System 50 paddleboards
- Pin headers

.039 [1.00] Centerlines

- 2.0 mm receptacles
- Breakaway pin headers

.050 [1.27] Centerlines

- 50/50 Grid connectors
- Micro-MaTch connectors
- AMP-LATCH novo receptacle connectors
- DIP plugs
- EUROLATCH receptacle connectors per DIN 41612 and IEC 603-2
- Pin Headers

System 50 ribbon cable receptacles will terminate cable on .025 [0.64] centerlines. They are available in select sizes from 20 thru 100-positions, and accept wire size range 30 AWG [0.05 mm²] solid or stranded wire and 32 AWG [0.03 mm²] stranded pvc insulated wire. Housing and cover are made of high temperature tolerant thermoplastic material, black, UL 94V-0 rated. A single mating beam, phosphor bronze contact provides the interconnect between the conductor and the .015² [0.38²] posts on .050 x .100

[1.27 x 2.54] grid. Also available in paddleboard configurations.

2.0 mm [.079] ribbon cable receptacles

feature contacts on a true 2.0 mm [.079 in.] mating grid for 1.0 mm [.039 in.] pitch ribbon cable. Select configurations are available between 8 and 50-positions. Receptacles feature insulation displacement contacts (IDC).

50/50 Grid connectors

Although AMPMODU 50/50 grid vertical headers and Receptacles are designed for parallel board-to-board stacking in high density applications, Right-angle board-to-board and cable-to-board applications are also possible since the vertical receptacles also mate with non-latching right-angle headers and the vertical headers also mate with non-latching cable connectors.

Micro-Match connectors

Miniaturization and the trend towards higher density of electronic functions on a substrate led to the introduction of the Micro-MaTch connector. The system offers a range of board and wire connectors, enabling a variety of wire-to-board and board-to-board interconnections. Its design prevents

the traditional failure mode in tin-plated connections, fretting corrosion. An additional positioning spring in the female part absorbs relative movements caused by vibrations and thermal expansion between male and female contacts. By preventing movements on the contact spot, a gas tight connection can be guaranteed under all circumstances.

AMP-LATCH novo receptacles

feature two rows of contacts on .100 x .100 [2.54 x 2.54] centers on selected sizes of 10 thru 64-positions and mate with .025 [0.64] square or round posts. The AMP-LATCH novo tuning-fork contact offers a military-approved design, at an affordable cost. Polarization options include military, center and military, or dual bar.

DIP (Dual In-Line Package) plugs

provide a permanent connection of ribbon cable to a pc board or mating to DIP sockets. Using the same centerline dimensions as DIP integrated circuits, DIP plugs offer space efficiency and a low profile of .253 [6.43].

Need more information?

Call Technical Support at the numbers listed below.

Technical Support is staffed with specialists well versed in all Tyco Electronics products. They can provide you with:

- Technical Support
- Catalogs
- Technical Documents
- Product Samples
- Tyco Electronics Authorized Distributor Locations

Table of Contents

| | |
|--|----------|
| Ribbon Cable Connector Selection Guide | 2, 3 |
| .025 [0.64] Centerline Ribbon Cable Connectors | |
| System 50 Connectors | 8-12 |
| Cable-to-Board Connectors | 8, 9, 12 |
| Board-to-Board Connectors | 10, 11 |
| Ultra ATA compliant Bus Connectors | 13-15 |
| .039 [1.00] Centerline Ribbon Cable Connectors | |
| 2 mm [.079] Receptacle Connectors | 16, 17 |
| AMPMODU 50/50 Grid Connector System | |
| Introduction | 18 |
| Board-to-Board Vertical Receptacles and Headers | 19 |
| Board-to-Board Vertical Receptacles, Double Row, .050 x .050 | |
| [1.27 x 1.27] Centers | 20 |
| Board-to-Board Vertical Headers, Double Row, .050 x .050 [1.27 x 1.27] Centers .. | 21 |
| Recommended PC Board Layouts for Vertical Connectors | 22 |
| Board-to-Board Right-Angle Headers | 23 |
| Board-to-Board Right-Angle Headers, Double Row, .050 x .050 [1.27 x 1.27] | |
| Centers | 24 |
| Cable-to-Board Connectors | 25 |
| Cable-to-Board Receptacle Connectors, Double Row, .050 x .050 [1.27 x 1.27] | |
| Centers | 26 |
| Terminating Covers for Cable Connectors | 27 |
| Application Tooling for Cable Connectors | 28 |
| Performance Specifications | 29 |
| Technical Documents | 29 |
| Micro-MaTch Connector System | |
| Miniature Connector System | 30 |
| System Overview/Technical Data | 31 |
| Applications (3 Dimensions) | 32 |
| Applications (2 Dimensions) | 33 |
| Female-on-Board Connector, Top Entry | 34 |
| Female-on-Board Connector, Side Entry | 35 |
| Female-on-Board Connector Surface Mount Device (SMD) | 36 |
| Male-on-Board Connector | 37 |
| Male-on-Wire Connector | 38 |
| Paddle Board Connector | 39 |
| Crimp On Snap In (COSI) Connector | 40 |
| Specials | 41 |
| Application Tooling | 42, 43 |
| Lead Assembly and Sample Box | 44 |
| .050 [1.27] Centerline Ribbon Cable Connectors | |
| Universal I/O Pin Connectors without Mounting Ears | 45 |
| Universal I/O Pin Connectors with Slotted Mounting Ears | 46 |
| EUROLATCH Receptacles 64-Position (Three-Row Housings, Two Rows Loaded) ... | 47 |
| AMP-LATCH Novo Connectors | 48-51 |
| Military Polarized, .100 x .100 [2.54 x 2.54] Centers | 49 |
| Center and Military Polarized, .100 x .100 [2.54 x 2.54] Centers | 50 |
| Dual Polarized, .100 x .100 [2.54 x 2.54] Centers | 51 |
| Female Socket Connectors, .100 x .100 [2.54 x 2.54] Centers, 622 and 636 Series .. | 52, 53 |
| Female Socket Connectors, .100 x .100 [2.54 x 2.54] Centers, 609 Series | 54, 55 |
| DIP Plugs, .100 x .100 [2.54 x 2.54] Centers, 609 Series | 56 |
| DIP Plugs, .100 x .100 [2.54 x 2.54] Centers, 622 Series | 57 |

Table of Contents (Continued)

.050 [1.27] Centerline Ribbon Cable Connectors (Continued)

DIP Plugs, .100 x .100 [2.54 x 2.54] Centers 58

DIP Plugs, .100 x .300 [2.54 x 7.62] Centers 59

DIP Plugs, .100 x .600 [2.54 x 15.24] Centers 60

4-Row PCB Solder Transition Connectors 61

1-Row Horizontal Receptacle 62

Accessories

Flexible Pull Tabs 63

Universal I/O Latches 63

Military Polarizers 63

Keying Plugs 64

Strain Relief for 622 Series DIP Plugs 65

Pull Loops, Permanent (For Receptacles and Pin Connectors) 66

Strain Relief for Universal I/O without Mounting Ears 67

Strain Relief for 609 Series (Tulip Contact) Female Socket Connectors 67

Strain Relief for AMP-LATCH Novo and Ultra ATA compliant Bus Connectors 68

Strain Relief for 2 mm 68

Strain Relief for 622 and 636 Series Female Socket Connectors 69

Application Tooling 70-74

Low Profile Headers 75-83

Low Profile Pin Headers, Center and Dual Polarized, .100 x .100 [2.54 x 2.54] Centerlines 76, 77

Low Profile Pin Headers, Center and Dual Polarized, .100 x .100 [2.54 x 2.54] Centerlines and “Kinked” Solder Tails for PCB Retention 78, 79

IDC Low Profile Ejection Style Pin Headers with Die Cast Ejection Latches, Military and Center Polarized, .100 x .100 [2.54 x 2.54] Centerlines 80, 81

IDC Low Profile Ejection Style Pin Headers, Center Polarized, .100 x .100 [2.54 x 2.54] Centerlines 82, 83

Universal Ejection Style Pin Headers and Pinless Headers

Universal Ejection Style Pin Headers, Military, Center and Dual Polarized, .100 x .100 [2.54 x 2.54] Centerlines 84-86

Universal Ejection Style Pin Headers, ACTION PIN Contacts, Military, Center and Dual Polarized, .100 x .100 [2.54 x 2.54] Centerlines 87, 88

Universal Ejection Style Pin Headers, Military, Center and Dual Polarized, .100 x .100 [2.54 x 2.54] Centerlines, Right-Angle 89-91

Universal Ejection Style Pinless Headers, Military, Center and Dual Polarized, .100 x .100 [2.54 x 2.54] Centerlines 92, 93

Universal Ejection Style Pin Headers, with PCT Housing, .100 x .100 [2.54 x 2.54] Centerlines, .025 [0.64] Sq. Posts (Mating End) 94, 95

Latches for Ejection Style Universal Pin Headers and Pinless Headers 96

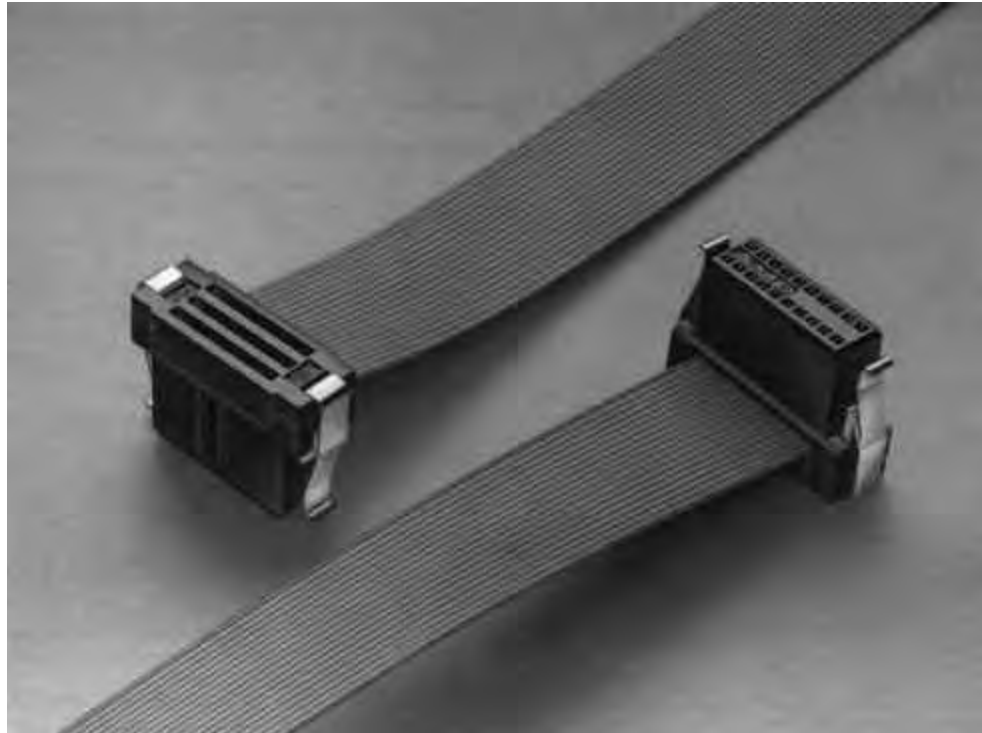
Cable Solutions 97, 98

Part Number Index 99

System 50 Cable-to-Board Connectors, .025 [0.64] Centerline Ribbon Cable

Product Facts

- Preassembled housing and cover
- One-step termination
- End and daisy chain termination
- Positive end latching of connector to universal header
- Terminates 30 AWG [0.05 mm²] solid or stranded and 32 AWG [0.03 mm²] stranded .025 [0.64] centerline ribbon cable with PVC insulation
- Connectors are RoHS compliant
- Recognized under the Component Program of the Underwriters Laboratories, Inc. UL File No. E28476
- Certified by the Canadian Standards Association, File No. LR 7189



The System 50 Ribbon Cable connector is a receptacle connector that will terminate ribbon cable on .025 [0.64] centerlines. It is available in select sizes from 10 to 100 positions and will accommodate 30 AWG [0.05 mm²] solid or stranded and 32 AWG [0.03 mm²] stranded

conductors with PVC cable insulation.

The housing and cover are of a high temperature tolerant thermoplastic (black) with a UL 94V-0 rating. A phosphor bronze single mating beam contact provides the interconnect between the conductor and the .015 [0.38] square

posts on the .050 x .100 [1.27 x 2.54] grid. The contacts are plated with 30 gold duplex plating. The latching feature is located on the receptacle, not the header, and saves board space and eliminates future problems of "latch height compatibility."

System 50 Cable-to-Board Connectors, .025 [0.64] Centerline Ribbon Cable (Continued)

Double Row Receptacle

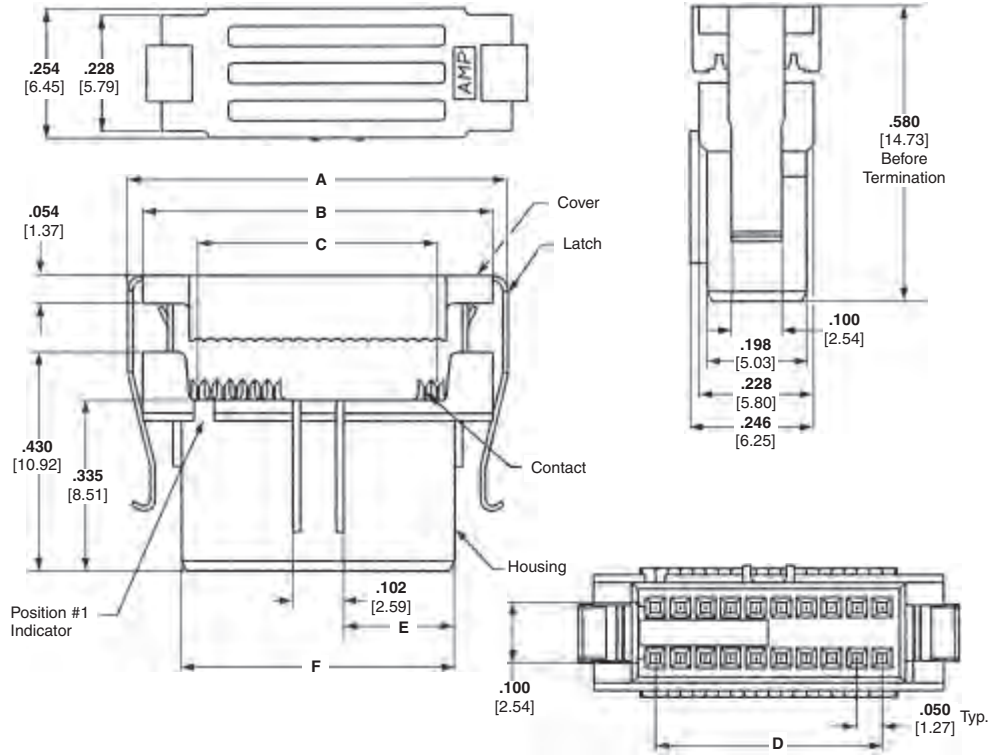


Material and Finish

Housing — Black thermoplastic, UL 94V-0 rated

Latches — Stainless steel

Contacts — Phosphor bronze, plated 30 microinch gold over nickel with tin in termination area



Related Product Data

Mateable Connectors —

See Tyco Electronics Catalog 82178
See Part Numbers 104068 and 104069
Series on pages 10 and 11

Mates with Posts — .015 [0.38] square, .125 [3.18] long, on .050 x .100 [1.27 x 2.54] grid

Technical Documents

Product Specification

108-1109

Application Specification

114-25029

| No. of Pos. | Dimensions | | | | | | Part Number |
|-------------|----------------|----------------|----------------|----------------|----------------|----------------|-------------|
| | A | B | C | D | E | F | |
| 10 | .510 12.95 | .445 11.30 | .225 5.72 | .200 5.08 | .096 2.44 | .294 7.47 | 2-111196-5 |
| 14 | .610 15.49 | .545 13.84 | .325 8.26 | .300 7.62 | .146 3.71 | .394 10.01 | 2-111196-6 |
| 16 | .660 16.76 | .595 15.11 | .375 9.52 | .350 8.89 | .171 4.34 | .444 11.28 | 2-111196-7 |
| 20 | .760 19.30 | .695 17.65 | .475 12.07 | .450 11.43 | .221 5.61 | .544 13.82 | 1-111196-8 |
| 24 | .860 20.32 | .795 20.19 | .575 14.61 | .550 13.97 | .271 6.88 | .644 16.36 | 2-111196-8 |
| 26 | .910 23.11 | .845 21.46 | .625 15.88 | .600 15.24 | .296 7.52 | .694 17.63 | 2-111196-9 |
| 30 | 1.010 25.65 | .945 24.00 | .725 18.42 | .700 17.78 | .346 8.79 | .794 20.17 | 1-111196-9 |
| 34 | 1.110 28.19 | 1.045 26.54 | .825 20.96 | .800 20.32 | .396 10.06 | .894 22.71 | 3-111196-0 |
| 40 | 1.260 32.00 | 1.195 30.35 | .975 34.54 | .950 24.13 | .471 11.96 | 1.044 26.52 | 2-111196-0 |
| 44 | 1.360 34.54 | 1.295 32.89 | 1.075 27.31 | 1.050 26.67 | .521 13.23 | 1.144 29.06 | 3-111196-1 |
| 50 | 1.510 38.35 | 1.445 36.70 | 1.225 31.12 | 1.200 30.48 | .596 15.14 | 1.294 32.87 | 2-111196-1 |
| 60 | 1.760 44.70 | 1.695 43.05 | 1.475 37.47 | 1.450 36.83 | .721 18.31 | 1.544 39.22 | 2-111196-2 |
| 64 | 1.860 47.24 | 1.795 45.59 | 1.575 40.00 | 1.550 39.37 | .771 19.58 | 1.644 41.76 | 3-111196-2 |
| 68 | 1.960 49.78 | 1.895 48.13 | 1.675 42.55 | 1.650 41.91 | .821 20.85 | 1.744 44.30 | 3-111196-4 |
| 72 | 2.060 52.32 | 1.995 50.67 | 1.775 45.08 | 1.750 44.45 | .871 22.12 | 1.844 46.84 | 2-111196-3 |
| 80 | 2.260 57.40 | 2.195 55.75 | 1.975 50.17 | 1.950 49.53 | .971 24.66 | 2.044 51.92 | 3-111196-3 |
| 100 | 2.760 70.10 | 2.695 68.45 | 2.475 62.87 | 2.450 62.23 | 1.221 31.01 | 2.544 64.62 | 2-111196-4 |

See Application Specification for termination tooling.

Note: All part numbers are RoHS compliant.

System 50 Board-to-Board Connectors, Through-Hole Headers

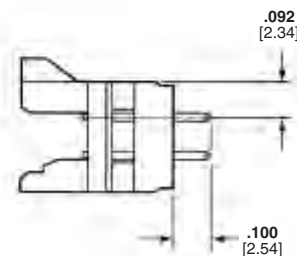
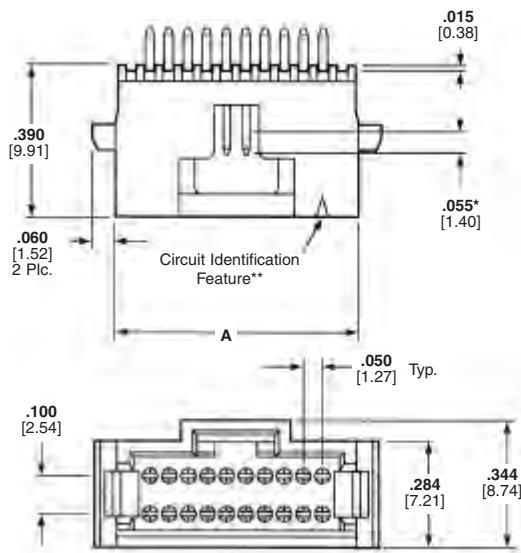
Shrouded, Double Row Vertical



Material and Finish

Housing — Black thermoplastic, UL 94V-0 rated

Contacts — Copper alloy, plated .000030 [0.00076] gold in mating area, .000150 [0.00381] tin on solder posts, with entire contact underplated .000050 [0.00127] nickel



Related Product Data

Mateable Receptacles — page 9

Technical Documents

Product Specification

108-1093

Application Specification

114-25031

| No. of Positions | Dim. A | Part Number |
|------------------|---------------|-------------|
| 10 | .380 9.65 | 5-104068-2 |
| 12 | .430 10.92 | 5-104068-8 |
| 14 | .480 12.19 | 5-104068-9 |
| 16 | .530 13.46 | 6-104068-0 |
| 20 | .630 16.00 | 5-104068-1 |
| 24 | .730 18.54 | 6-104068-1 |
| 26 | .780 19.81 | 6-104068-2 |
| 30 | .880 22.35 | 5-104068-3 |

| No. of Positions | Dim. A | Part Number |
|------------------|----------------|-------------|
| 34 | .980 24.89 | 6-104068-3 |
| 40 | 1.130 28.70 | 5-104068-4 |
| 44 | 1.230 31.24 | 6-104068-4 |
| 50 | 1.380 35.05 | 5-104068-5 |
| 60 | 1.630 41.40 | 5-104068-6 |
| 68 | 1.830 46.48 | 6-104068-8 |
| 72 | 1.930 49.02 | 6-104068-5 |
| 80 | 2.130 54.10 | 6-104068-6 |
| 100 | 2.630 66.80 | 6-104068-7 |

*Point of measurement for gold thickness.

**Circuit identification feature omitted on 8, 10, 12 and 14 position headers.

Note: All part numbers are RoHS compliant.

System 50 Board-to-Board Connectors, Through-Hole Headers (Continued)

Shrouded, Double Row Right-Angle



Material and Finish

Housing — Black thermoplastic, UL 94V-0 rated

Contacts — Copper alloy, plated .000030 [0.00076] gold in mating area, .000150 [0.00381] tin on solder posts, with entire contact underplated .000050 [0.00127] nickel

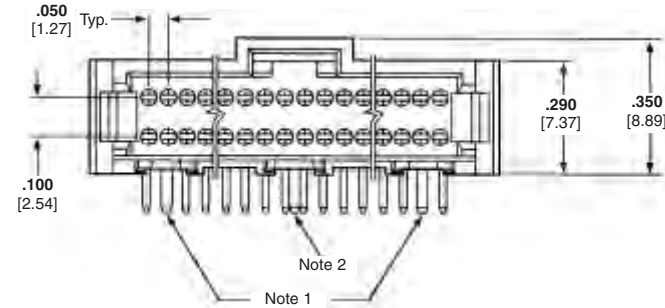
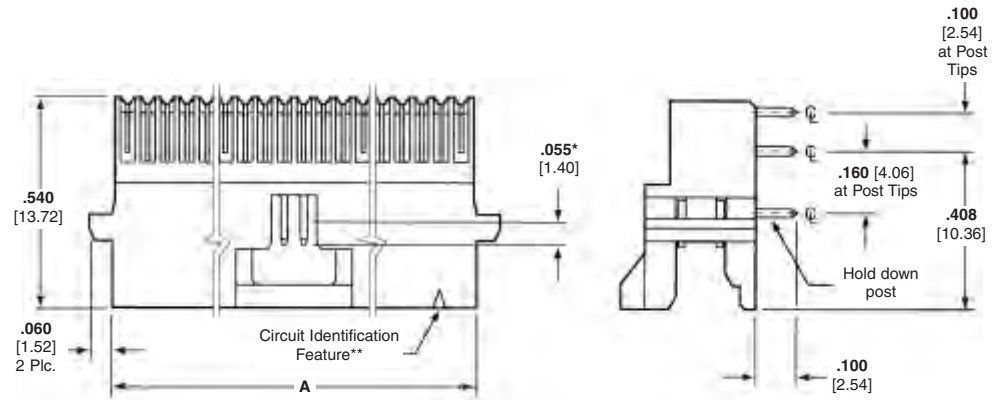
Related Product Data

Mateable Receptacles — page 9

Technical Documents

Product Specification
108-1093

Application Specification
114-25031



.025 [0.64] Centerline Ribbon Cable Connectors
System 50 Board-to-Board Connectors

| No. of Positions | Dim. A | Part Number |
|------------------|---------------|-------------|
| 8 | .330 8.38 | 5-104069-8 |
| 10 | .380 9.65 | 5-104069-4 |
| 20 | .630 16.00 | 5-104069-1 |
| 24 | .730 18.54 | 6-104069-2 |
| 26 | .780 19.81 | 6-104069-3 |
| 30 | .880 22.35 | 5-104069-5 |
| 34 | .980 24.89 | 6-104069-4 |

| No. of Positions | Dim. A | Part Number |
|------------------|----------------|-------------|
| 40 | 1.130 28.70 | 5-104069-6 |
| 50 | 1.380 35.05 | 5-104069-2 |
| 60 | 1.630 41.40 | 5-104069-7 |
| 68 | 1.830 46.80 | 6-104069-8 |
| 72 | 1.930 49.02 | 6-104069-6 |
| 80 | 2.130 54.10 | 5-104069-3 |
| 100 | 2.630 66.80 | 6-104069-7 |

*Point of measurement for gold thickness.
 **Circuit identification feature omitted on 8, 10, 12 and 14 position headers.
Notes: 1. Hold down posts located as shown for 16 through 100 position headers.
 2. Hold down posts located as shown for 8 through 14 and 60 through 100 position headers.
 3. All part numbers are RoHS compliant.

System 50 Cable-to-Board Connectors, .025 [0.64] Centerline Ribbon Cable

Paddleboard

Material and Finish

Housing — LCP thermoplastic, UL 94V-0 rated, black

Cover — Polyester, UL 94V-0 rated, black

Contacts — Phosphor bronze, plated .000100 [0.00245] min. tin over .000050 [0.00127] min. nickel underplating

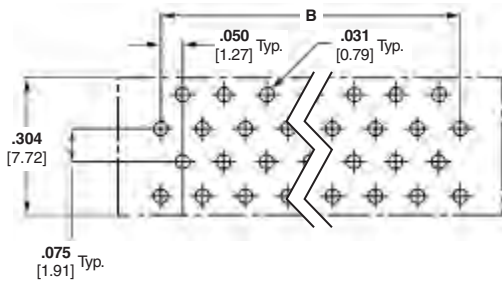
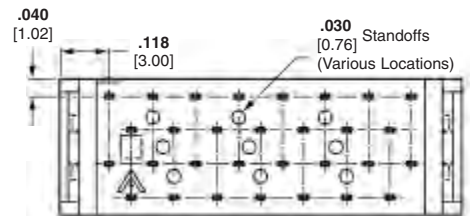
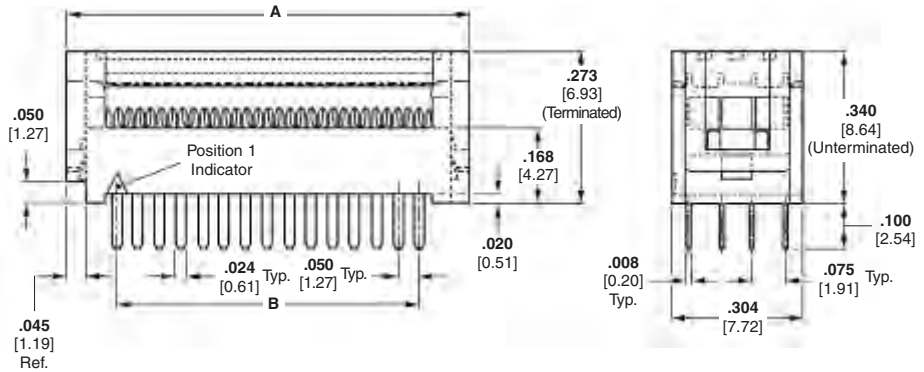
Technical Documents

Product Specification

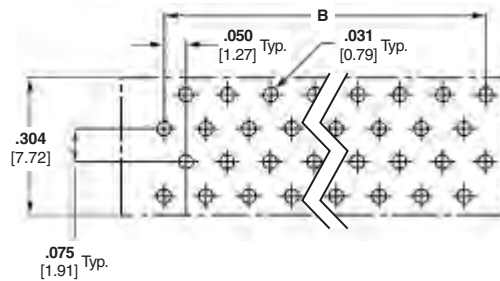
108-1109

Application Specification

114-25040



Printed Circuit Board Hole Layout #1



Printed Circuit Board Hole Layout #2



| No. of Pos. | PCB Layout | Dimensions | | Part Number |
|-------------|------------|----------------|---------------|-------------|
| | | A | B | |
| 10 | 1 | .436 11.07 | .200 5.08 | 5111595-1 |
| 14 | 1 | .536 13.61 | .300 7.62 | 5111595-2 |
| 16 | 2 | .586 14.88 | .350 8.89 | 5111595-3 |
| 20 | 2 | .686 17.42 | .450 11.43 | 5111595-4 |
| 24 | 2 | .786 19.96 | .550 13.97 | 5111595-5 |
| 26 | 1 | .836 21.23 | .600 15.24 | 5111595-6 |
| 28 | 2 | .886 22.50 | .650 16.51 | 2-5111595-0 |
| 30 | 1 | .936 23.77 | .700 17.78 | 5111595-7 |
| 34 | 1 | 1.036 26.31 | .800 20.32 | 5111595-8 |
| 40 | 2 | 1.186 30.12 | .950 24.13 | 5111595-9 |

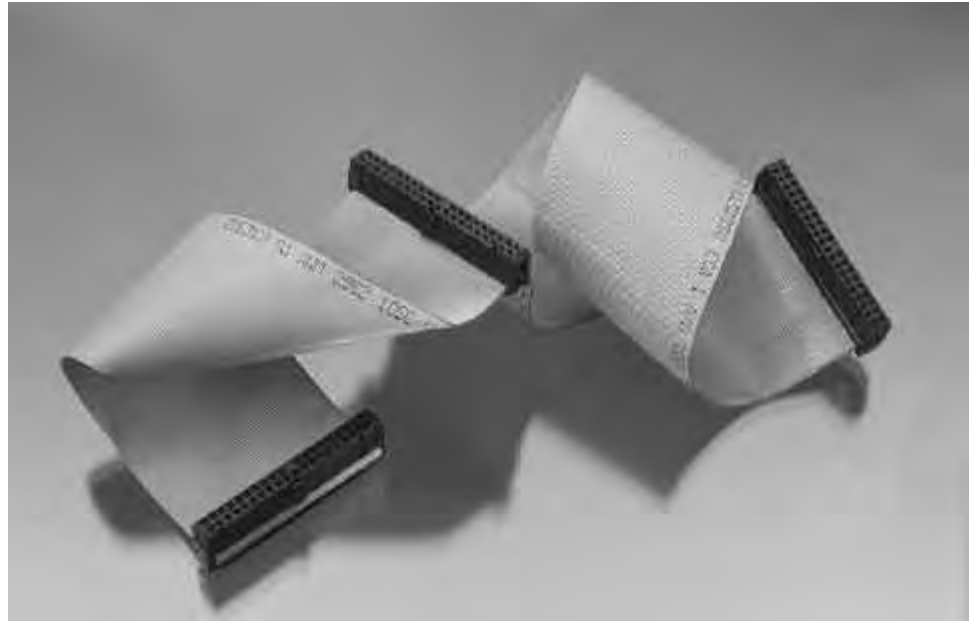
| No. of Pos. | PCB Layout | Dimensions | | Part Number |
|-------------|------------|----------------|----------------|-------------|
| | | A | B | |
| 44 | 2 | 1.286 32.66 | 1.050 26.67 | 1-5111595-0 |
| 46 | 1 | 1.336 33.93 | 1.100 27.94 | 1-5111595-7 |
| 50 | 1 | 1.436 36.47 | 1.200 30.48 | 1-5111595-1 |
| 60 | 2 | 1.686 42.82 | 1.450 36.83 | 1-5111595-2 |
| 64 | 2 | 1.786 45.36 | 1.550 39.37 | 1-5111595-3 |
| 68 | 2 | 1.886 47.90 | 1.650 41.91 | 1-5111595-9 |
| 72 | 2 | 1.986 50.44 | 1.750 44.45 | 1-5111595-4 |
| 80 | 2 | 2.186 55.52 | 1.950 40.53 | 1-5111595-5 |
| 100 | 2 | 2.686 68.22 | 2.450 62.23 | 1-5111595-6 |

See Application Specification for termination tooling.
Note: All part numbers are RoHS compliant.

Ultra ATA Compliant Bus Connectors, .025 [0.64] Centerline Ribbon Cable

Product Facts

- IDC termination
- Backward compatible with current IDE Interfaces
- Improved signal integrity: 1 to 1 signal to ground ratio
- Improved crosstalk when compared to existing IDE Cable Assembly
- Color coded connectors for "System board," and "Master HDD" and "Slave HDD"
- Cable impedance 80 ohms
- Up to 3 connectors per cable assembly
- 15 microinches gold plating
- Recognized under the Component Program of the Underwriters Laboratories, Inc.  UL File No. E28476
- Certified by the Canadian Standards Association, File No. LR 7189 
- Terminates 30 AWG solid or stranded PVC insulated 80 conductor ribbon cable



Ultra ATA is the next generation IDE (Integrated Drive Electronics) bus. The current IDE bus has a maximum data transfer rate of about 16.5 MB/second. As the bus speeds and disk drive performances increase, the cable assembly between the motherboard and hard drive becomes a limiting factor in data transfer from the drive.

The Ultra ATA compliant connector and cable assembly from Tyco Electronics provide the customer with improved electrical performance by creating a 1:1 signal-to-ground ratio. The connector design incorporates an IDC bus bar to common the 40 additional ground signals. The cable is .025" centerline PVC ribbon cable. The connector is fully backward compatible with existing 40-position headers with pin 20 removed on mother-

boards and disk drives.

The new connectors are color coded to identify:

1. system board connector
2. primary or master hard drive connector
3. slave drive connector

Standard Issues

The Ultra ATA compliant cable performance specification is part of the Small Form Factor Committee No. 8049.

Contacts Available:

- 80 position IDC contact terminations
- 40 signal contacts
- 40 ground terminations to special IDC bus bar

.025 [0.64] Centerline Ribbon Cable Connectors
Ultra ATA Compliant Bus Connectors

Ultra ATA Compliant Bus Connectors, .025 [0.64] Centerline Ribbon Cable

Related Product Data

Strain Relief — Part Number 499252-1

Mateable Headers — page 15

Material & Finish

Housing and Cover — Thermoplastic, UL 94 V-0 rated, color per table

Contacts — Phosphor bronze, plated gold per table on mating end, .000050 [0.00127]min. tin in wire termination area, over .000050 [0.00127] min nickel on entire contact.

Technical Documents

Product Specification 108-1740

Application Specification 114-40056

See Application Specification for termination tooling.

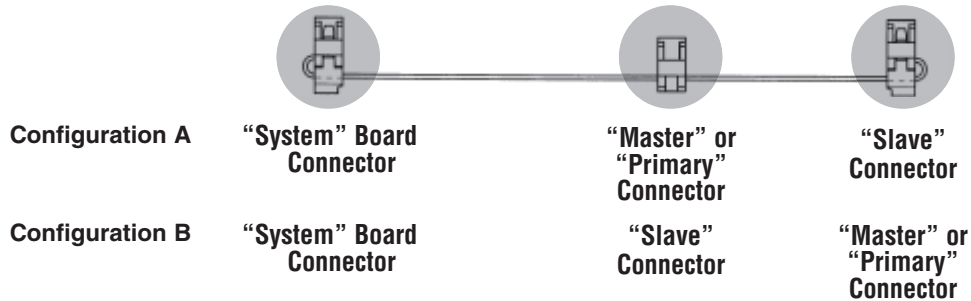
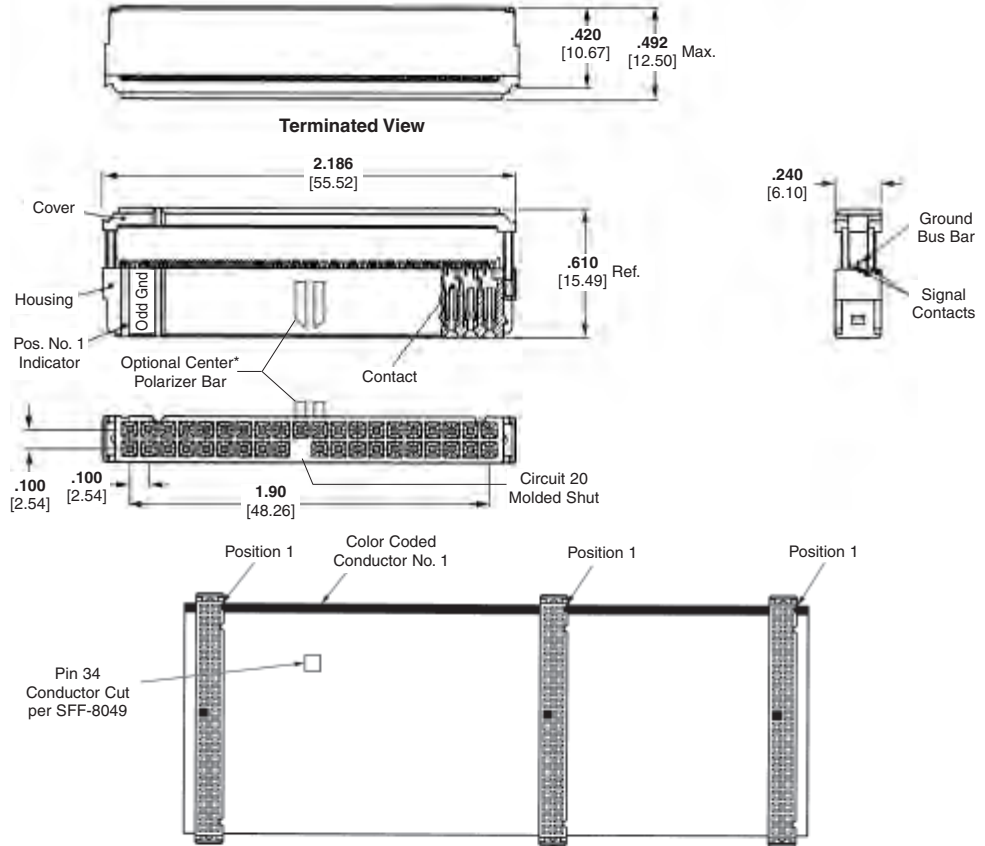
Accessories

Strain Relief — page 68

Keying Plug — page 64

Pull Loops — page 66

Pull Tabs — page 63



| Connector Type | *Center & Military Polarized | | | Military Polarized | | |
|-----------------------|------------------------------|---------------|-------------|--------------------|---------------|-------------|
| | 15µ" Gold | Housing Color | Cover Color | 15µ" Gold | Housing Color | Cover Color |
| "System" Board | 1658619-2 | Blue | Black | 1658618-2 | Blue | Black |
| "Primary" or "Master" | 1658619-1 | Black | Black | 1658618-1 | Black | Black |
| "Slave" | 1658619-3 | Gray | Black | 1658618-3 | Gray | Black |

Notes: 1. All connectors are "ODD GROUND" configuration, ie. all odd cable conductors are grounded. "EVEN GROUND" connectors are not available. See Customer Drawings for detailed electrical connection descriptions.
2. All part numbers are RoHS compliant.

Ultra ATA Compliant Bus Connectors, .025 [0.64] Centerline Ribbon Cable (Continued)

**Ultra ATA
Compatible Headers**

Universal Headers — Pin 20 Omitted

| Post Type | Housing Material | Latch Type | Part Number | Contact Finish (Plating Code) | Solder Tail Length | Comments |
|-----------|------------------|------------|-------------|-------------------------------|--------------------|----------|
| Vertical | Nylon or PBT | Long | 5111824-9 | D | .110 2.79 | |
| Vertical | Nylon or PBT | Short | 6489700-1 | B | .123 3.12 | PP |

Legend: PP — Polarization Peg

Low Profile Headers — Pin 20 Omitted

| Post Type | Housing Material | Latch Type | Part Number | Contact Finish (Plating Code) | Solder Tail Length | Housing Color |
|-----------|------------------|------------|-------------|-------------------------------|--------------------|---------------|
| Vertical | Nylon | None | 1888188-1 | A | .120 3.05 | Black |
| Vertical | Nylon | None | 1888188-2 | B | .120 3.05 | Black |
| Vertical | Nylon 6T | None | 2-1734161-4 | C | .122 3.10 | Black |
| Vertical | Nylon 6T | None | 2-1734161-5 | C | .122 3.10 | Blue |
| Vertical | Nylon | None | 1734162-2 | C | .110 2.79 | Black |
| Vertical | Nylon | None | 1734162-4 | C | .110 2.79 | Blue |

Plating Code A — Duplex plated, gold flash on mating surfaces, .000100 [0.00254] min. tin on solder area, with entire post underplated .000050 [0.00127] min. nickel.

Plating Code B — Duplex plated, gold flash over palladium-nickel, .000015 [0.00038] min. total on mating surfaces, .000100 [0.00254] min. tin on solder area, with entire post underplated .000050 [0.00127] min. nickel **or** .000015 [0.00038] min. gold on mating surfaces, .000100 [0.00254] min. tin on solder area, with entire post underplated .000050 [0.00127] min. nickel.

Plating Code C — Gold flash over nickel underplate on entire post.

Plating Code D — Duplex plated, gold flash over palladium-nickel, .000030 [0.00076] min. total on mating surfaces, .000100 [0.00254] min. tin on solder area, with entire post underplated .000050 [0.00127] min. nickel **or** .000015 [0.00038] min. gold on mating surfaces, .000100 [0.00254] min. tin on solder area, with entire post underplated .000050 [0.00127] min. nickel.

Note: All part numbers are RoHS compliant.

2.0 mm [.079] Receptacle Connectors

Product Facts

- True hard metric 2.0 x 2.0 [.079 x .079] mating grid for 1.0 [.039] pitch ribbon cable
- Wide selection of configurations, 8-50 positions
- Insulation displacement (IDC), beryllium copper contacts, duplex plated gold-over-nickel
- Top/bottom single beam contact orientation
- UL 94V-0 rated thermo-plastic components
- Assemblies are furnished preassembled with termination covers
- Optional polarization
- Optional strain relief available
- Connector assemblies packaged for ease of handling and protection
- Recognized under the Component Program of the Underwriters Laboratories, Inc. UL File No. E28476
- Certified by the Canadian Standards Association, File No. LR 7189

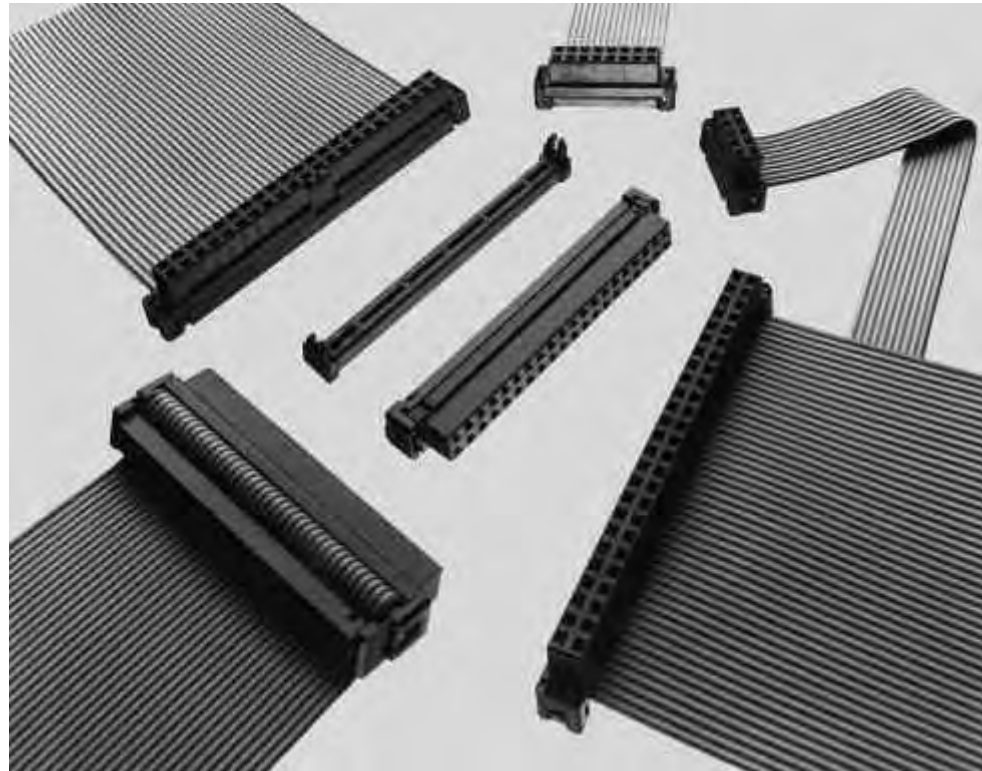


Performance Data

- Durability** — 150 cycles
- Termination Resistance** — 25 milliohms max.
- Mating Force** — 1.67 N max. per contact
- Unmating Force** — 0.14 N min. per contact
- Operating Temperature** — -65°C to +105°C

Technical Documents

- Product Specification**
108-1372
- Application Specification**
114-40038



The 2.0 [.079] receptacle connector family features contacts on a true 2.0 x 2.0 [.079 x .079] mating grid for 1.0 [.039] pitch 28 AWG ribbon cable. A variety of configurations are available from 8 through 50 positions. This small, compact connector is finding wide acceptance throughout the electronic industry, particularly in the smaller laptop and notebook type computers with 63.5 [2.5] drives. Other areas of application include point-of-sale terminals, fax machines, photocopiers, printers, consumer electronics, and other computer peripheral equipment. These receptacles feature insulation displacement contacts (IDC) with a top/bottom single-beam contact orientation. Contacts are beryllium copper, duplex plated 0.00076 [.000030] gold

in the mating area and 0.00254 [.000100] min. tin on termination end, all over 0.00127 [.000050] nickel underplating. Contact mating area is 1.54 [.061] from the face of the housing and they accept 0.50mm [.0197] round or square posts.

Housings are made of UL 94V-0 rated polyester with optional center bar polarization. Complete assemblies are furnished preassembled with termination covers. The complete assembly presents a compact design only 5.2 [.203] wide over the termination cover by 4 [.157] deep by 4 [.157] wide mating end. Terminated height is 8.48 [.334]. Optional strain relief available. Assemblies are packaged for ease of handling and protection.

2.0 mm [.079] Receptacle Connectors, Non-Polarized and Center Polarized Bar

Material and Finish

Housing and Termination Cover — UL 94V-0 rated polyester, black

Contacts — Beryllium copper, duplex plated 0.00076 [.000030] min. gold on mating end, 0.00013 [.000005] min. gold on termination end, all underplated 0.00127 [.000050] min. nickel

Note: Accepts 0.08-0.09mm² [28 AWG] ribbon cable, PVC insulated 1.00 [.039] pitch. See Application Specification for details.

Technical Documents

Product Specification

108-1372

Application Specification

114-40038

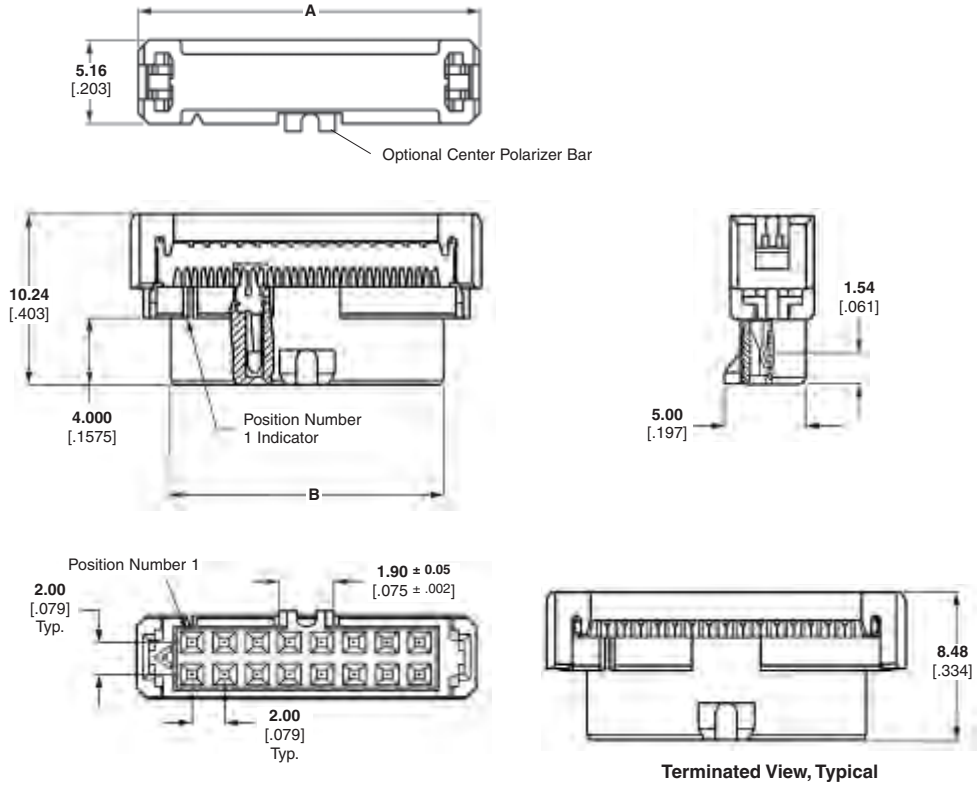
Mateable Connectors — pages 9 and 12, or see Application Specification for header requirements

Accessories

Pull Loops — page 66

Keying Plugs — page 64

Strain Relief — page 68

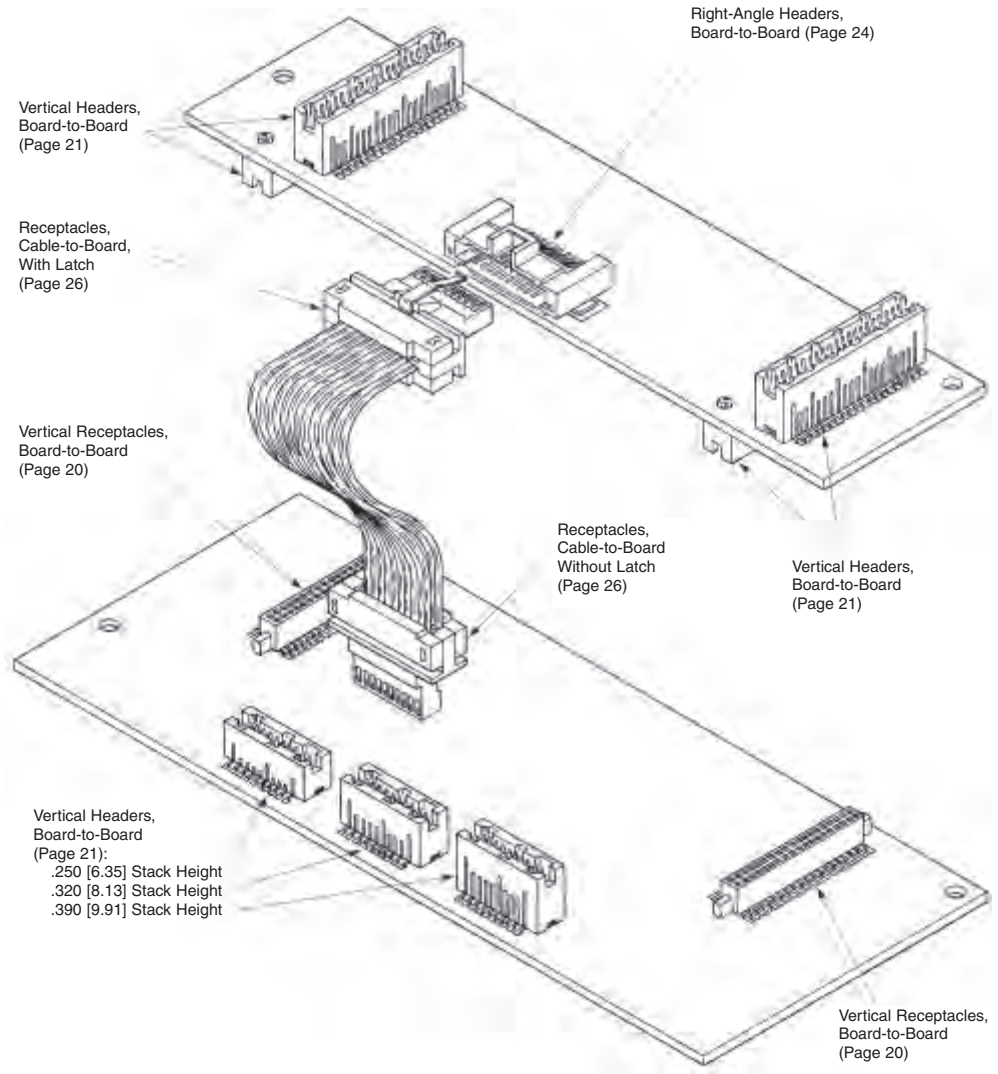


.039 [1.00] Centerline Ribbon Cable Connectors
.079 [2.00] Receptacle Connectors

| No. of Positions | Dimensions | | Center Polarized | Non-Polarized |
|------------------|----------------|----------------|------------------|---------------|
| | A | B | | |
| 8 | 13.18 .519 | 8.41 .331 | 3-111623-0 | 2-111626-4 |
| 10 | 15.16 .597 | 10.41 .410 | 1-111623-8 | 1-111626-7 |
| 12 | 17.15 .675 | 12.40 .488 | 3-111623-1 | — |
| 14 | 19.18 .755 | 14.40 .567 | 1-111623-9 | 1-111626-8 |
| 16 | 21.18 .834 | 16.41 .646 | 2-111623-0 | 2-111626-5 |
| 20 | 25.17 .991 | 20.40 .803 | 2-111623-1 | 1-111626-9 |
| 22 | 27.18 1.070 | 22.40 .882 | 2-111623-9 | — |
| 24 | 29.18 1.149 | 24.41 .961 | 2-111623-7 | 2-111626-6 |
| 26 | 31.17 1.227 | 26.42 1.040 | 2-111623-2 | 2-111626-7 |
| 30 | 35.18 1.385 | 30.40 1.197 | 2-111623-3 | — |
| 34 | 39.17 1.542 | 34.42 1.355 | 2-111623-8 | 2-111626-0 |
| 40 | 45.19 1.779 | 40.41 1.591 | 2-111623-4 | 2-111626-1 |
| 44 | 49.17 1.936 | 44.40 1.748 | 2-111623-5 | 2-111626-2 |
| 50 | 55.17 2.172 | 50.39 1.984 | 2-111623-6 | 2-111626-3 |

Note: All part numbers are RoHS compliant.

AMPMODU 50/50 Grid Connector System





**Produced under a Quality
Management System
certified to ISO 9001**

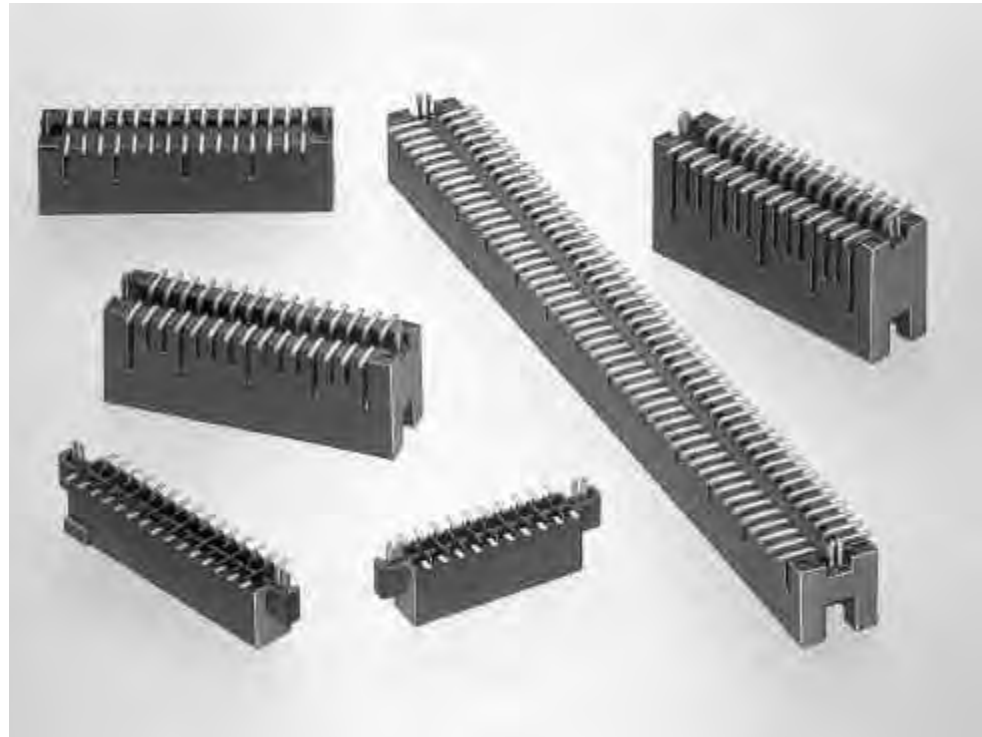
A copy of the
certificate is available
upon request.



Board-to-Board Vertical Receptacles and Headers

Product Facts

- Surface-mount products for parallel board-to-board applications, as well as right-angle board-to-board and cable-to-board applications
- High density .050 x .050 [1.27x1.27] centerline grid
- Three board-to-board stack heights: .250 [6.35], .320 [8.13] and .390 [9.91]
- Non-protrusive metallic holddowns
- Reliable dual beam receptacle contacts for redundant contact
- Duplex plated receptacle and post contacts; gold plated on mating areas, tin plated on tails
- Compatible with standard surface-mount processing (VPR and IR)
- Receptacle and header allow for drainage of processing fluids
- Tape and reel packaging available. Contact Tyco Electronics for details
- Polarized header and receptacle assemblies
- Sizes of 10, 20, 30, 40, 50, 60, 70, 80 and 100 positions
- Recognized under the Component Program of Underwriters Laboratories Inc., File No. E28476 
- Certified by Canadian Standards Association File No. LR7189 



AMPMODU 50/50 Grid Vertical Headers and Receptacles are designed for parallel board-to-board stacking in high density applications.

Right-angle board-to-board and cable-to-board applications are also possible, since the vertical receptacles also mate with non-latching right-angle headers (page 24) and the vertical headers also mate with non-latching cable connectors.

Available are double row, vertical shrouded headers and receptacles in sizes ranging from 10 through 100 positions (in 10 position increments).

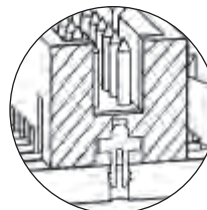
Parallel board-to-board stack heights of .250 [6.35], .320 [8.13] and .390 [9.91] are achievable by selection of the appropriate header. The receptacle is the same for all three stack height headers.

Non-protrusive metallic holddowns are designed for use in .062 [1.57] or thicker

PC boards and allow surface mounting to both sides of the board. In addition to providing retention during processing, the holddowns are soldered during reflow and therefore provide long-term strain relief for the solder joints.

AMPMODU 50/50 Grid Vertical Headers and Receptacles are designed to be compatible with standard surface-mount processes; IR (infrared) and VPR (vapor phase reflow). The surface-mount connectors have been designed so that dimensioning, tolerances, referenced datums, holddown characteristics

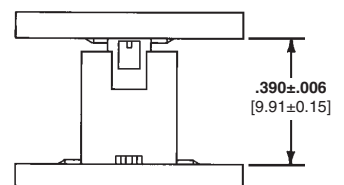
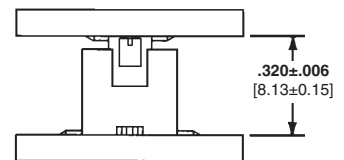
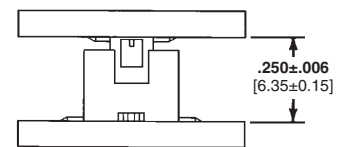
Non-Protrusive Metallic Holddowns



and packaging methods result in a system that is compatible with robotic assembly.

The headers and receptacles feature polarization to prevent misalignment.

Three Board Stack Heights



**Board-to-Board Vertical Receptacles, Double Row, .050 x .050
[1.27 x 1.27] Centerline**

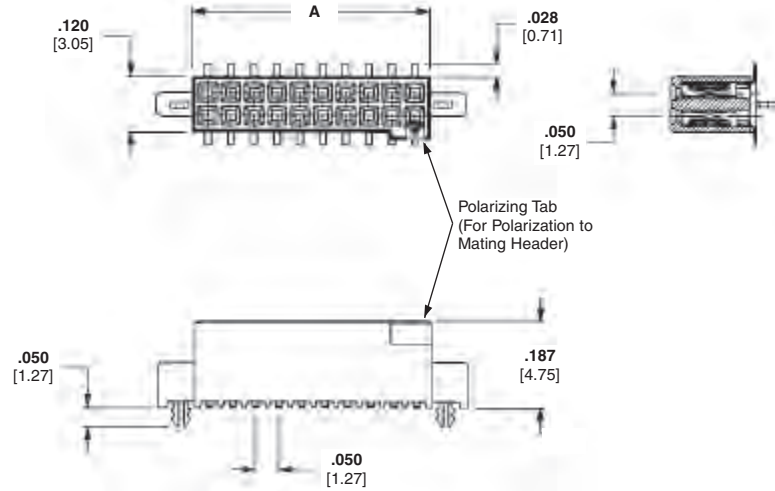


Material and Finish

Housing—Glass-filled thermoplastic, black, 94V-0 rated

Contacts—Copper alloy; duplex plated .000030 [0.00076] gold in mating area, .000150 [0.00381] tin on solder tail, with entire contact underplated .000050 [0.00127] nickel

Holddown—Copper alloy; plated .000150 [0.00381] tin over .000050 [0.00127] nickel



Related Product Data

Mating Headers — pages 21 and 24

PC Board Layouts — page 22

Performance Specifications — page 29

Technical Documents — page 29

Product Specification 108-1332

Application Specification 114-7010

Packaging — Tube or Tape and Reel

| No. of Pos. | Dimension A | Receptacle Part Numbers | | |
|-------------|---------------|-------------------------|----------------|-----------------------------|
| | | Tube | Tape and Reel* | No Hold Down w/Vacuum Cover |
| 10 | .266 [6.75] | 5-104652-1 | 5-147384-1 | 5-147413-1 |
| 20 | .516 [13.11] | 5-104652-2 | 5-147384-2 | 5-147413-3 |
| 30 | .766 [19.46] | 5-104652-3 | 5-147384-3 | 5-147413-4 |
| 40 | 1.016 [25.81] | 5-104652-4 | 5-147384-4 | — |
| 50 | 1.266 [32.16] | 5-104652-5 | 5-147384-5 | 5-147413-2 |
| 60 | 1.516 [38.51] | 5-104652-6 | 5-147384-6 | — |
| 70 | 1.766 [44.86] | 5-104652-7 | 5-147384-7 | — |
| 80 | 2.016 [51.21] | 5-104652-8 | 5-147384-8 | — |
| 100 | 2.516 [63.91] | 6-104652-0 | 5-147384-9 | — |

* Parts packaged in tape and reel have vacuum pick and place cover. See PC Board Layout on page 22.

Note: All part numbers are RoHS compliant.

Vertical Receptacles, Double Row

**Board-to-Board Vertical Headers, Double Row, .050 x .050
[1.27 x 1.27] Centerline**



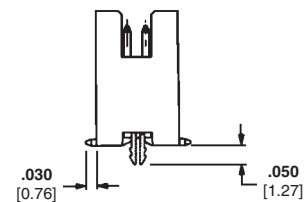
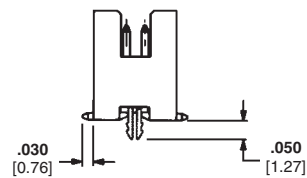
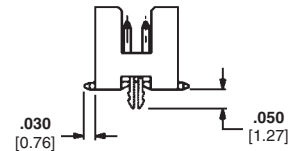
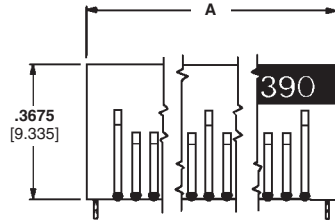
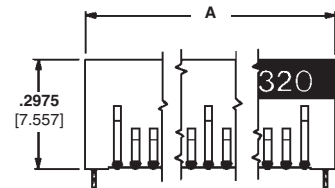
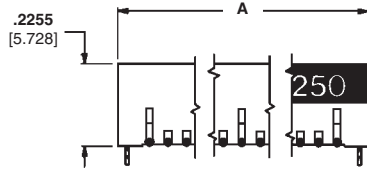
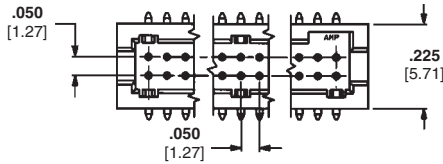
For .250 [6.35] Mated Height



For .320 [8.13] Mated Height



For .390 [9.91] Mated Height



Material and Finish

Housing—Glass-filled thermoplastic, black, 94V-0 rated

Contacts—Copper alloy; duplex plated .000030 [0.00076] gold in mating area, .000150 [0.00381] tin on solder tail, with entire contact underplated .000050 [0.00127] nickel

Holddown—Copper alloy; plated .000150 [0.00381] tin over .000050 [0.00127] nickel

Related Product Data

Mating Receptacles — pages 20 and 26 (without latch only)

PC Board Layouts — page 22

Performance Specifications — page 29

Technical Documents — page 29

Product Specification 108-1332

Application Specification 114-7010

Packaging — Tube or Tape and Reel

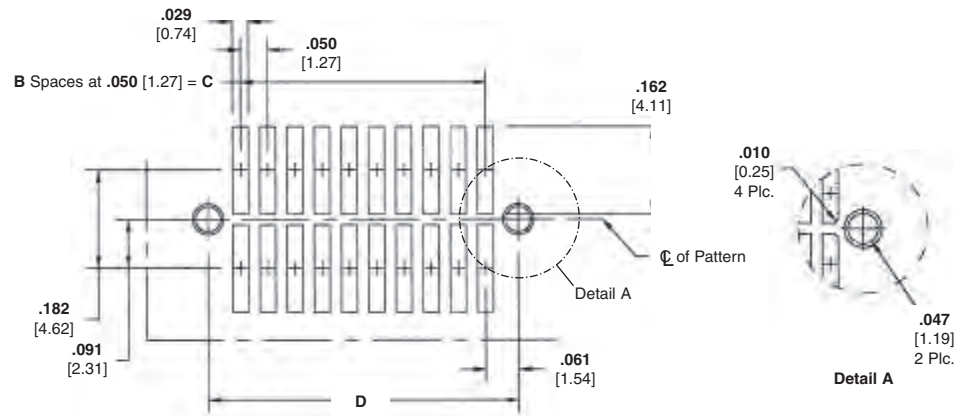
| No. of Pos. | Dimension A | Header Part Numbers | | | | | | | | |
|-------------|---------------|--------------------------|--------------|------------|--------------------------|--------------|--------------------------|------------|--------------|--|
| | | .250 [6.35] Mated Height | | | .320 [8.13] Mated Height | | .390 [9.91] Mated Height | | | |
| | | Tubes | Tape & Reel* | | Tubes | Tape & Reel* | Tubes | | Tape & Reel* | |
| | | Hold Down | No Hold Down | | | Hold Down | No Hold Down | | | |
| 10 | .372 [9.44] | 5-104655-1 | 5-147381-1 | 5-147121-1 | 5-104656-1 | 5-147382-1 | 5-104693-1 | — | 5-147383-1 | |
| 20 | .622 [15.79] | 5-104655-3 | 5-147381-2 | 5-147121-2 | 5-104656-2 | 5-147382-2 | 5-104693-2 | — | 5-147383-2 | |
| 30 | .872 [22.14] | 5-104655-4 | 5-147381-3 | — | 5-104656-3 | 5-147382-3 | 5-104693-3 | — | 5-147383-3 | |
| 40 | 1.122 [28.49] | 5-104655-5 | 5-147381-4 | — | 5-104656-4 | 5-147382-4 | 5-104693-4 | — | 5-147383-4 | |
| 50 | 1.372 [34.84] | 5-104655-6 | 5-147381-5 | — | 5-104656-5 | 5-147382-5 | 5-104693-5 | — | 5-147383-5 | |
| 60 | 1.622 [41.19] | 5-104655-7 | 5-147381-6 | — | 5-104656-6 | 5-147382-6 | 5-104693-6 | — | 5-147383-6 | |
| 70 | 1.872 [47.54] | 5-104655-8 | 5-147381-7 | — | 5-104656-7 | 5-147382-7 | 5-104693-7 | — | 5-147383-7 | |
| 80 | 2.122 [53.89] | 5-104655-9 | 5-147381-8 | — | 5-104656-8 | 5-147382-8 | 5-104693-8 | — | 5-147383-8 | |
| 90 | 2.372 [60.24] | — | — | — | 5-104656-9 | — | 5-104693-9 | — | — | |
| 100 | 2.622 [66.59] | 6-104655-1 | 5-147381-9 | — | 6-104656-0 | 5-147382-9 | 6-104693-0 | 5-147503-1 | 5-147383-9 | |

*Parts packaged in tape and reel have vacuum pick and place cover. See PC Board Layout on page 22.

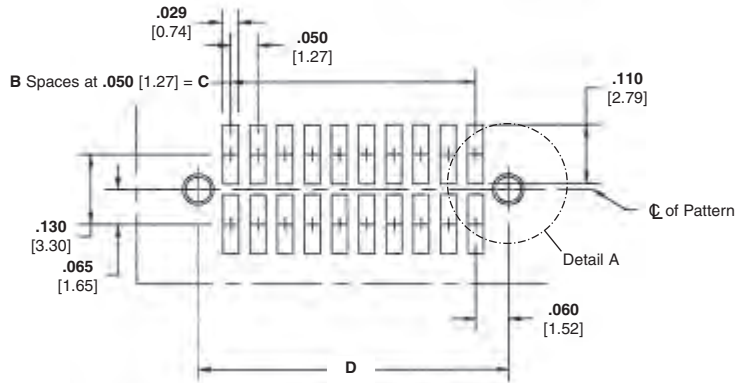
Note: All part numbers are RoHS compliant.

Recommended PC Board Layouts for Vertical Connectors

Headers



Receptacles





| No. of Pos. | Receptacle Dimensions | | | Header Dimensions | | |
|-------------|-----------------------|---------------|---------------|-------------------|---------------|---------------|
| | B | C | D | B | C | D |
| 10 | 4 | .200 [5.08] | .320 [8.12] | 4 | .200 [5.08] | .322 [8.17] |
| 20 | 9 | .450 [11.43] | .570 [14.48] | 9 | .450 [11.43] | .572 [14.52] |
| 30 | 14 | .700 [17.78] | .820 [20.83] | 14 | .700 [17.78] | .822 [20.87] |
| 40 | 19 | .950 [24.13] | 1.070 [27.19] | 19 | .950 [24.13] | 1.072 [27.22] |
| 50 | 24 | 1.200 [30.48] | 1.320 [33.53] | 24 | 1.200 [30.48] | 1.322 [33.57] |
| 60 | 29 | 1.450 [36.83] | 1.570 [39.88] | 29 | 1.450 [36.83] | 1.572 [39.92] |
| 70 | 34 | 1.700 [43.18] | 1.820 [46.23] | 34 | 1.700 [43.18] | 1.822 [46.27] |
| 80 | 39 | 1.950 [49.53] | 2.070 [52.58] | 39 | 1.950 [49.53] | 2.072 [52.62] |
| 90 | 44 | 2.200 [55.88] | 2.320 [58.93] | 44 | 2.200 [55.88] | 2.322 [58.97] |
| 100 | 49 | 2.450 [62.23] | 2.570 [65.28] | 49 | 2.450 [62.23] | 2.572 [65.32] |

Note: Refer to Tyco Electronics Customer Drawings for additional PC board layout information and dimensional tolerances.

Board-to-Board Right-Angle Headers

Product Facts

- Surface-mount products for right-angle board-to-board and cable-to-board applications
- Double-row, right-angle shrouded headers
- High density .050 x .050 [1.27 x 1.27] centerline grid
- Latching and non-latching versions available
- Non-protrusive metallic holddowns
- Metallic tabs, when soldered to PC board pad, provide added mechanical support
- Duplex plated post contacts; gold plated on mating area, tin plated on tails
- Compatible with standard surface-mount processing (VPR and IR)
- Standoffs on header housings allow for drainage of processing fluids
- All headers are polarized
- Sizes of 10, 20, 30, 40, 50, 60, 70, 80 and 100 positions
- Recognized under the Component Program of Underwriters Laboratories Inc.,  File No. E28476
- Certified by Canadian Standards Association  File No. LR7189



AMPMODU 50/50 Grid Right-Angle Headers will accommodate a variety of high density packaging applications; right-angle board-to-board applications when mated with vertical receptacles (page 20) and right-angle cable-to-board applications when mated with cable connectors (page 26). The small .050 x .050 [1.27 x 1.27] centerline contact spacing allows efficient use of the PC board area.

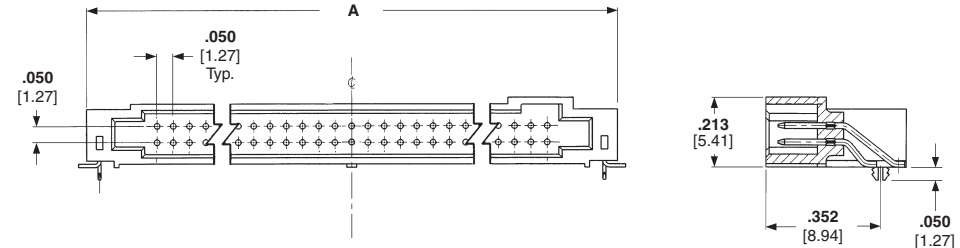
Mechanical support of the headers to the PC board is provided by non-protrusive metallic holddowns designed for .062 [1.57] or thicker PC boards. These holddowns are of the same

design as those used in the vertical headers (page 21) and receptacles (page 20). There are also metallic tabs that are soldered to the surfaces of the PC board pads for added support.

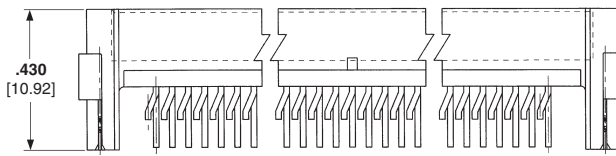
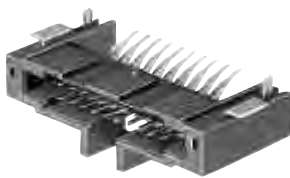
AMPMODU 50/50 Grid Right-Angle Headers are available in double-row, in either latching or non-latching versions, and in sizes ranging from 10 through 100 positions (in 10 position increments). The latching version provides positive retention when mated with the latching cable connector (page 26). All headers feature polarization to help prevent misalignment during mating.

Board-to-Board Right-Angle Headers, Double Row, .050 x .050 [1.27 x 1.27] Centerline

Non-Latching Header



Latching Header



Material and Finish

Housing — Liquid crystal polymer, black, 94V-0 rated

Contacts — Copper alloy; duplex plated .000030 [0.00076] gold in mating area, .000150 [0.000381] tin on solder tail, with entire contact under-plated .000050 [0.00127] nickel

Holddown — Copper alloy; plated .0000150 [0.00381] tin over .000050 [0.00127] nickel

Related Product Data

Mating Receptacles — pages 20 and 26

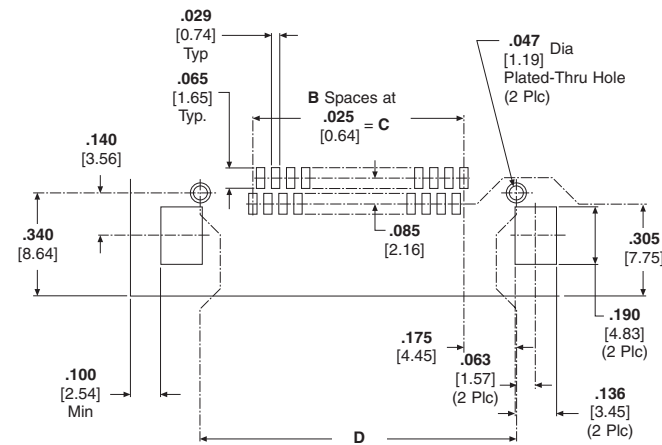
Performance Specifications — page 29

Technical Documents — page 29

Product Specification 108-1443

Application Specification 114-7010

Packaging — Tube



Recommended PC Board Layout

Note: Refer to Tyco Electronics Customer Drawings for additional PC board layout information and dimensional tolerances.



| No. of Pos. | Dimensions | | | | Header Part Numbers | |
|-------------|---------------|----|---------------|---------------|---------------------|--------------|
| | A | B | C | D | Latching | Non-Latching |
| 10 | .630 [16.00] | 9 | .225 [5.72] | .550 [13.97] | 5-104895-1 | 5-104894-1 |
| 20 | .880 [22.35] | 19 | .475 [12.07] | .800 [20.32] | 5-104895-2 | 5-104894-2 |
| 30 | 1.130 [28.70] | 29 | .725 [18.42] | 1.050 [26.67] | 5-104895-3 | 5-104894-3 |
| 40 | 1.380 [35.05] | 39 | .975 [24.77] | 1.300 [33.02] | 5-104895-4 | 5-104894-4 |
| 50 | 1.630 [41.40] | 49 | 1.225 [31.12] | 1.550 [39.37] | 5-104895-5 | 5-104894-5 |
| 60 | 1.880 [47.75] | 59 | 1.475 [37.47] | 1.800 [45.72] | 5-104895-6 | 5-104894-6 |
| 70 | 2.130 [54.10] | 69 | 1.725 [43.82] | 2.050 [52.07] | 5-104895-7 | 5-104894-7 |
| 80 | 2.380 [60.45] | 79 | 1.975 [50.17] | 2.300 [58.42] | 5-104895-8 | 5-104894-8 |
| 100 | 2.880 [73.15] | 99 | 2.475 [62.87] | 2.800 [71.12] | 6-104895-0 | 6-104894-0 |

Note: All part numbers are RoHS compliant.

Right-Angle Headers, Double Row, Latching and Non-Latching

Cable-to-Board Connectors

Product Facts

- Double-row receptacle connectors provide cable-to-board connection capabilities for vertical headers (non-latching) and right-angle headers (latching and non-latching)
- IDC (Insulation Displacement Crimp) mass termination of solid or stranded round conductor .050 [1.27] centerline ribbon cable with PVC or polyethylene insulation
- Accommodates ribbon cable conductor sizes of 28 AWG [0.08-0.09 mm²] and 30 AWG [0.05 mm²] and insulation diameters up to .036 [0.91] maximum
- Reliable single beam receptacle contact design
- Duplex plated receptacle contacts; gold plated in mating area, tin in termination area
- Terminating covers (sold separately) provide both strain relief and protection to the termination area
- Sizes of 10, 20, 30, 40, 50, 60, 70, 80 and 100 positions
- Connectors available with or without metal latch
- Connectors without latches are polarized to help prevent mismatching
- Recognized under the Component Program of Underwriters Laboratories Inc.,  File No. E28476
- Certified by Canadian Standards Association  File No. LR7189



These double-row cable connectors, with a .050 x .050 [1.27 x 1.27] centerline contact spacing, provide cable-to-board connection capabilities for the AMPMODU 50/50 Grid Connector System. Cable connectors without a latch will mate with the vertical headers (page 21), while cable connectors with or without a latch can be used to mate with the right-angle headers (page 24).

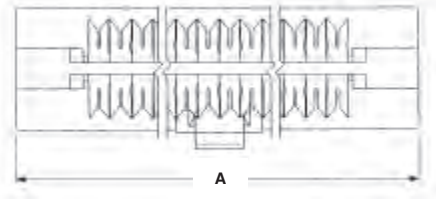
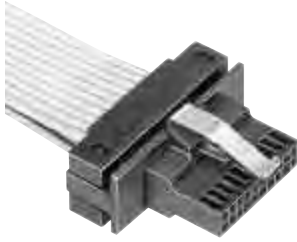
The cable connectors feature reliable single-beam IDC (insulation displacement crimp) contacts which are duplex plated with .000030 [0.00076] gold. These contacts can be mass terminated to either solid or

stranded round conductor ribbon cable with conductor sizes of 28 AWG [0.08-0.09 mm²] and 30 AWG [0.05 mm²] and a maximum insulation diameter of .036 [0.91]. During termination, the terminating covers, which must be purchased separately, assist in guiding the wire into the IDC contacts, then provide strain relief when fully seated. Actual termination is accomplished with the Tyco Electronics manual tooling shown on page 28.

The latching version of the cable connector is equipped with a metal latch which provides positive retention of the receptacle cable connector when mated with a surface-

mounted right-angle header. The cable connector without a metal latch features polarization to help prevent mismatching. All connectors are available in sizes ranging from 10 through 100 positions (in 10 position increments).

Cable-to-Board Receptacle Connectors, Double Row, .050 x .050 [1.27 x 1.27] Centerline



Material and Finish

Housing — Thermoplastic, black, 94V-0 rated

Latch — Stainless steel

Contacts — Phosphor bronze; duplex plated .000030 [0.00076] minimum gold in mating area, .000150 [0.00381] minimum tin on solder tail, with entire contact underplated .000050 [0.00127] minimum nickel

Related Product Data

Mating Headers — pages 21 and 24 (latching)

Terminating Covers (Must be Purchased Separately, 2 Required per Connector) — page 27

Termination Tooling — page 28

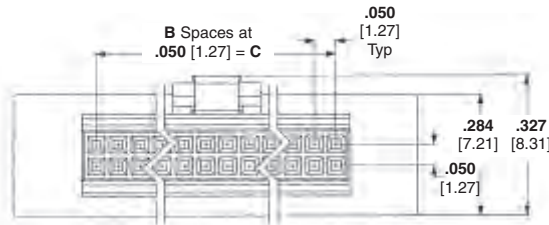
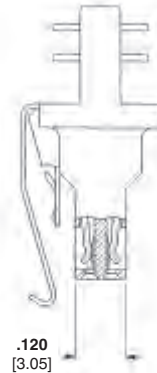
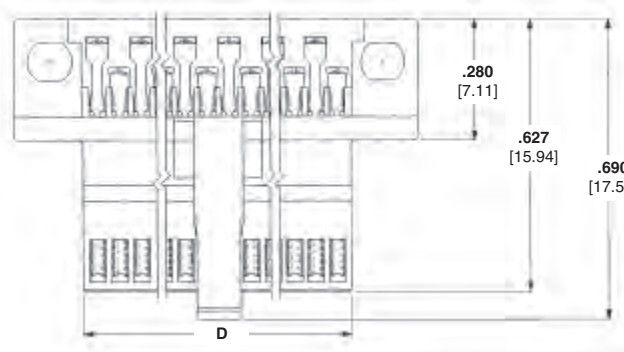
Performance Specifications — page 29

Technical Documents — page 29

Product Specification 108-1443

Application Specification
408-9817, 408-9909

Packaging — Tube



| No. of Pos. | Dimensions | | | | Receptacle Part Numbers | |
|-------------|---------------|----|---------------|---------------|-------------------------|---------------|
| | A | B | C | D | With Latch | Without Latch |
| 10 | .578 [14.68] | 4 | .200 [5.08] | .266 [6.76] | 5-104892-1 | 5-104893-1 |
| 20 | .828 [21.03] | 9 | .450 [11.43] | .516 [13.11] | 5-104892-2 | 5-104893-2 |
| 30 | 1.078 [27.38] | 14 | .700 [17.78] | .766 [19.46] | 5-104892-3 | 5-104893-3 |
| 40 | 1.328 [33.73] | 19 | .950 [24.13] | 1.016 [25.81] | 5-104892-4 | 5-104893-4 |
| 50 | 1.578 [40.08] | 24 | 1.200 [30.48] | 1.266 [32.16] | 5-104892-5 | 5-104893-5 |
| 60 | 1.828 [46.43] | 29 | 1.450 [36.83] | 1.516 [38.51] | 5-104892-6 | 5-104893-6 |
| 70 | 2.078 [52.78] | 34 | 1.700 [43.18] | 1.766 [44.86] | 5-104892-7 | 5-104893-7 |
| 80 | 2.328 [59.13] | 39 | 1.950 [49.53] | 2.016 [51.21] | 5-104892-8 | 5-104893-8 |
| 100 | 2.828 [71.83] | 49 | 2.450 [62.23] | 2.516 [63.91] | 6-104892-0 | 6-104893-0 |

Note: All part numbers are RoHS compliant.

Receptacle Connectors, Double Row, With and Without Latch

Terminating Covers for Cable Connectors



Material

Glass-filled thermoplastic,
black, 94V-0 rated

Related Product Data

Connectors used with Covers —
page 26

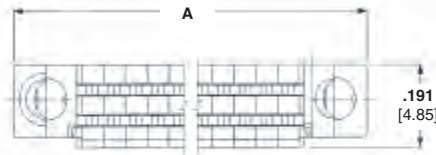
Termination Tooling — page 28

Technical Documents — page 29

Product Specification 108-1443

Application Specification
408-9817, 408-9909

Packaging — Plastic bag



| No. of Pos. | Dimension A | Terminator Cover Part Numbers |
|-------------|---------------|-------------------------------|
| 10 | .565 [14.35] | 104891-1 |
| 20 | .815 [20.70] | 104891-2 |
| 30 | 1.065 [27.05] | 104891-3 |
| 40 | 1.315 [33.82] | 104891-4 |
| 50 | 1.565 [39.75] | 104891-5 |
| 60 | 1.815 [46.10] | 104891-6 |
| 70 | 2.065 [52.45] | 104891-7 |
| 80 | 2.315 [58.80] | 104891-8 |
| 100 | 2.815 [71.50] | 1-104891-0 |

Note: Terminating covers must be purchased separately, two are required for each cable connector.

Note: All part numbers are RoHS compliant.

Application Tooling for Cable Connectors

The Manual Miniature Application Frame Assembly 91295-1, equipped with a Cover Closing Kit 543518-1, is used for the IDC termination of ribbon cable to the cable connectors shown on page 26.

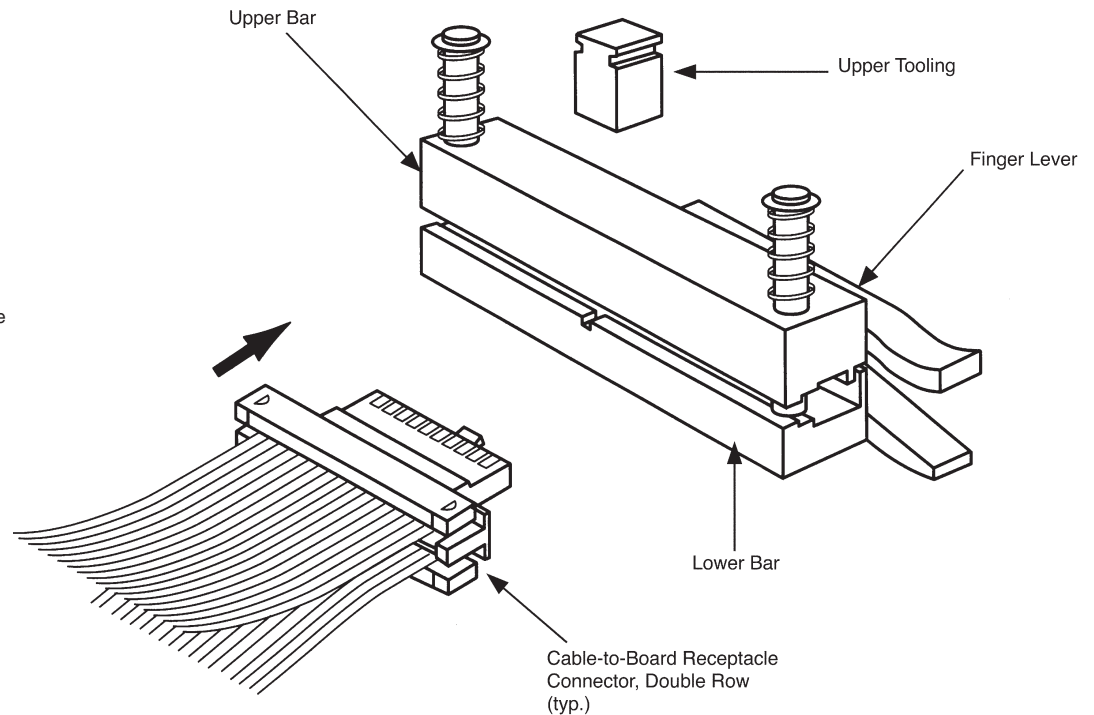
Prior to termination, the covers must be partially assembled onto a connector housing, the cable inserted between the covers and contacts and the covers preclosed by hand, clamping the cable in place.

In the Manual Miniature Application Frame Assembly, the covers are fully seated to complete the mass termination and provide strain relief for the completed connection.

For tooling information, call Technical Support Center **1-800-522-6752**.



**Manual Miniature Application Frame Assembly 91295-1
with Cover Closing Kit 543518-1**



Note: Refer to Tyco Electronics Instruction Sheets 408-9817 (frame assembly 91295-1) and 408-9909 (cover closing kit 543518-1) for complete termination/tooling information.

Note: All part numbers are RoHS compliant.

Performance Specifications

Board-to-Board Connectors, Vertical and Right-Angle

Mating Force — 6.4 oz (1.78 N) max. per contact
Unmating Force — 1.0 oz [0.28 N] min. per contact
Durability — Tested to 200 cycles min.
Current Rating — (30°C T rise): .5 ampere per contact
Operating Temperature Range — -65°C to +105°C
Termination Resistance — 16 milliohms max. (initial)
Insulation Resistance — 5000 megohms min. (initial)
Dielectric Withstanding Voltage — 300 VAC

Cable-to-Board Connectors

Mating Force — 6.4 oz (1.78 N) max. per contact
Unmating Force Without Latch — .5 oz [0.14 N] min. per contact
Durability — Tested to 200 cycles min.
Current Rating — (10°C T rise); .5 ampere per contact
Operating Temperature Range — -65°C to +105°C
Termination Resistance — 25 milliohms max. (initial and final)
Insulation Resistance — 5000 megohms min. (initial)
Dielectric Withstanding Voltage — 300 VAC

Technical Documents

Various technical documents are available for your use:

Product Specifications describe technical performance characteristics and verification tests. They are intended for the Design, Component and Quality Engineer.

| | |
|----------|--|
| 108-1332 | AMPMODU 50/50 Grid Vertical Board-to-Board Connectors |
| 108-1443 | AMPMODU 50/50 Grid Right-Angle Board-to-Board and Cable Connectors |

Application Specifications describe requirements for using the product in its intended application and/or crimping information. They are intended for the Packaging and Design Engineer and the Machine Setup Person.

| | |
|----------|-------------------------------------|
| 114-7010 | AMPMODU 50/50 Grid Connector System |
|----------|-------------------------------------|

Instruction Sheets provide instructions for assembling or applying the product. They are intended for the Manufacturing Assembler or Operator.

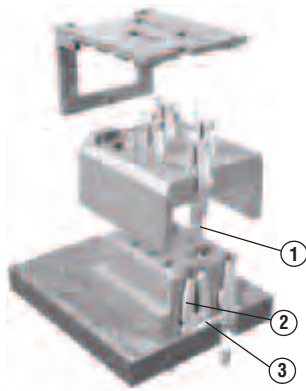
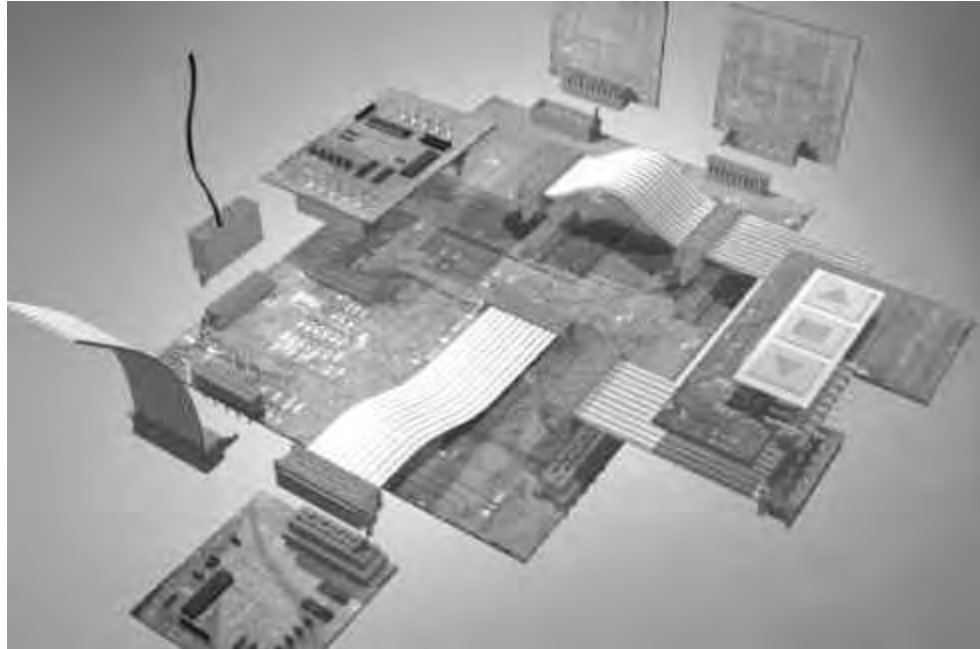
| | |
|----------|---|
| 408-9817 | Manual Miniature Application Frame Assembly 91295-1 |
| 408-9909 | Cover Closing Kit 543518-1 |

Note: All part numbers are RoHS compliant.

Micro-MaTch Miniature Connector System

Features/ Benefits

- Available in 2 to 20 positions
- Applicable Wire: 20~28 AWG
- Wire connectors supplied on-tape and suitable for mass termination of 28 AWG [0.08 mm² to 0.09 mm²] ribbon cable
- Tin plated contact design
- Guaranteed minimum contact force of 2.0 N
- Fretting corrosion proof thanks to additional positioning spring member
- Full range of application tooling from hand tool to fully automated equipment



1. Contact Pin
2. Contact Spring
3. Positioning

Miniaturization and the trend towards higher density of electronic functions on a substrate led to the introduction of smaller interconnection systems. The Micro-MaTch connector family, with its contact spacing of 1.27 mm, fully complies with the electronic packaging requirements of today and the future. The system offers a range of board and wire connectors, enabling a variety of wire-to-board and board-to-board interconnections. The Micro-MaTch contact shown on this page is essentially different from other systems available.

By its design the traditional failure mode in tin plated connections, fretting corrosion, is prevented. Due to an additional positioning spring in the female part,

relative movements caused by vibrations/thermal expansion between male and female contacts are absorbed. By preventing movements on the contact spot, a gas tight connection can be guaranteed under all circumstances.

The contact spring is located in the board connector and not in the cable connector, which is usually the case. The counter part, incorporated in the cable connector, is a simple pin, either with an insulation displacement section, suitable for the mass-termination of cable or with a kinked solder leg to be soldered onto a PC Board. The separation of these two basic functions of the contact system — contact force generation and wire termination — enables the independent

optimization of both functions and also leads to relatively simple contact shapes.

Because of their shapes contacts can be post-plated, leaving no bare edges in the contact and wire slot area. The contact spring system features an additional spring member — the positioning spring — which compensates positional tolerances. In this way the contact spring can be fully optimized for its basic function, so that the relatively high contact force, required for tin plated contact systems, can be guaranteed under all circumstances.

The Micro-MaTch contact spring system is absolutely fretting corrosion proof by its design.

Micro-MaTch Miniature Connector System Overview Technical Data

Technical Data

| | |
|-----------------------------------|---|
| Centerline: | 1.27 mm (staggered) |
| Number of Positions: | 4, 6, 8, 10, 12, 14, 16, 18, 20, and some 24 positions |
| Contact Material: | Phosphor bronze |
| Contact Finish: | Tin over Nickel |
| Housing Material: | Thermoplastic polyester, red, glass-filled For surface mount versions polyamide 4.6 |
| Flammability rating: | per UL 94 V-0 |
| UL-recognized: | File E28476 Vol. 23 Section 4 |
| Contact Resistance: | 10 MΩ max. |
| Insulation Resistance: | 1.000 MΩ min. |
| Nominal Voltage: | 230 V |
| Current Rating: | 1.5 A max. |
| Temperature Range: | -40° C to +105° C (operating) |
| Mating Force: | 5N max. per contact |
| Unmating Force: | 1N min. per contact |
| Minimum Contact Force: | 2N min. |
| Product Specification: | 108-19052 |
| Application Specification: | 114-19016, 114-19051 |
| RoHS Compliance Code: | Always RoHS compliant (directive 2002/95/EC) for all types |
| Lead-free Process Capable: | Wave solder capable to 265° C for through hole versions reflow solder capable to 260° C for SMD versions |

PC Board Connectors

| | |
|--------------------------------|------------------------------|
| PC Board Thickness: | 1.6 mm nominal |
| PC Board Hole Diameter: | 0.8 mm for solder connectors |

Ribbon Connectors

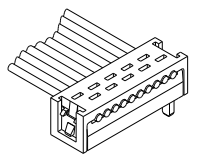
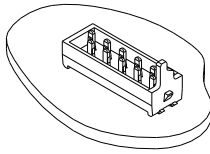
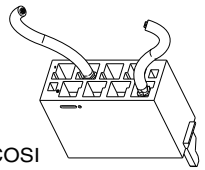
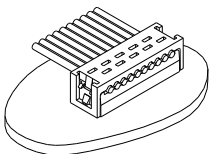
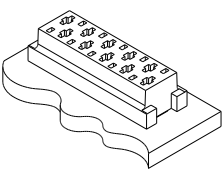
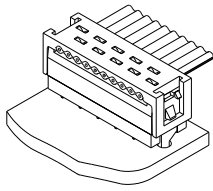
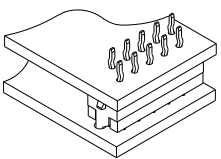
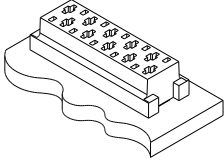
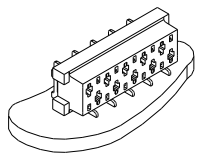
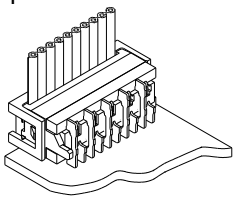
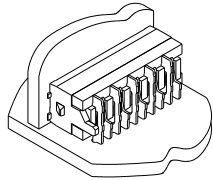
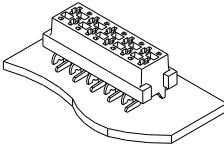
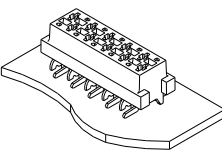
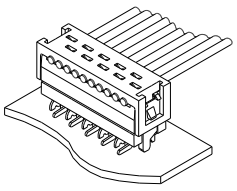
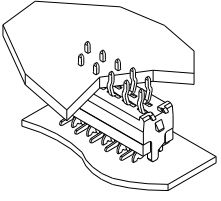
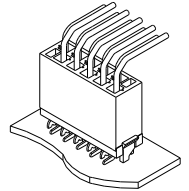
| | |
|-----------------------------|--|
| Cable Type: | Ribbon cable, UL Style 2651 |
| Conductor Spacing: | 1.27 mm (.050") |
| Conductor Diameter: | Solid 0.30 mm diameter Stranded 0.08 mm ² 7 x 0.12 - 0.13 mm (other diameters and/or configurations on request) |
| Insulation Type: | semi-rigid PVC |
| Insulation Diameter: | 0.9 ± 0.1 mm |

Discrete Wire (COSI) Connectors

| | |
|---------------------|---------------------|
| Cable Type : | AWG 28-24 and 24-20 |
|---------------------|---------------------|

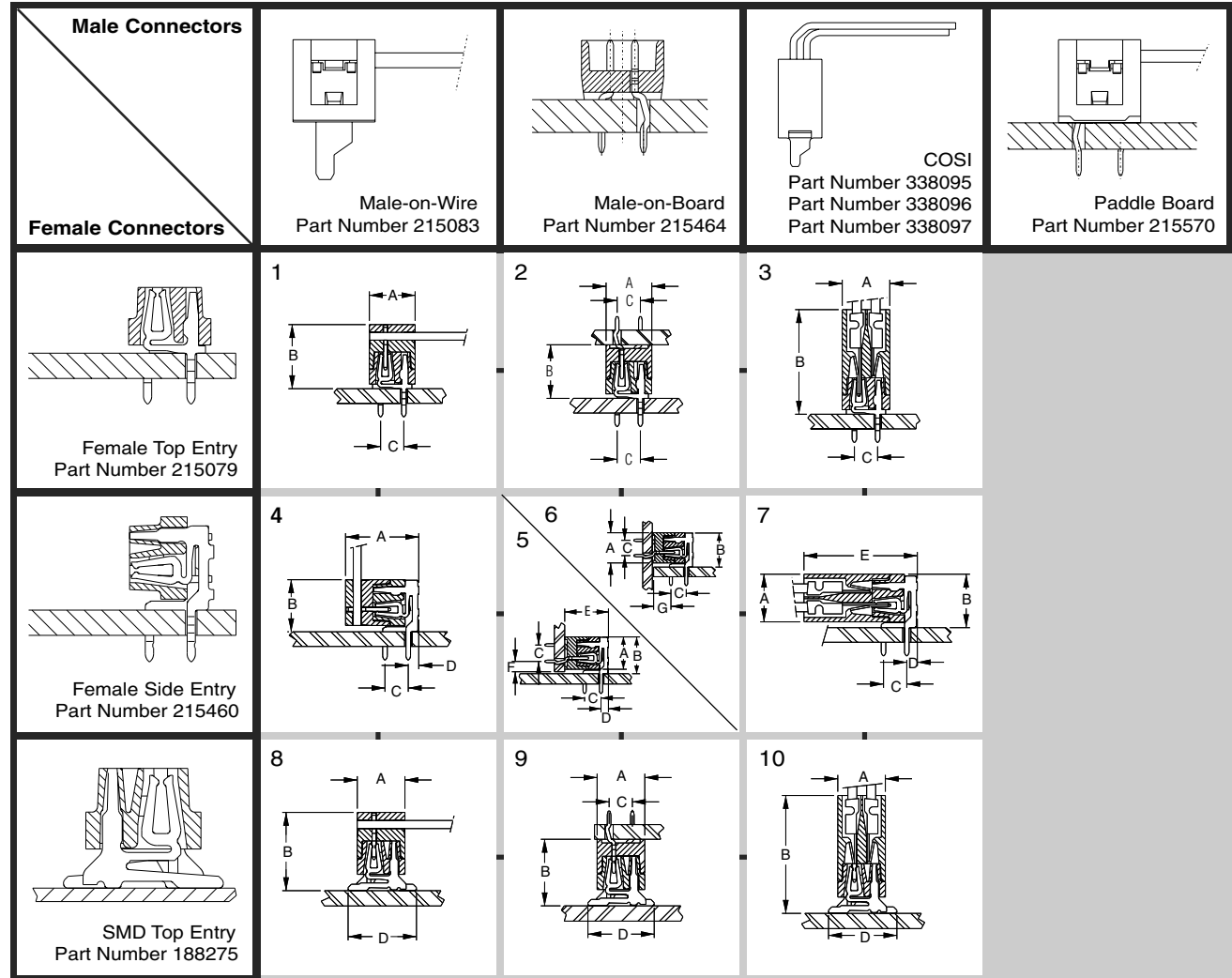
Micro-MaTch Miniature Connector System Applications (3 Dimensions)

Micro-MaTch Miniature Connector System Applications (3 Dimensions)

| | | | | |
|---|--|---|---|--|
| <p>Male Connectors</p> <p>Female Connectors</p> |  <p>Male-on-Wire Part Number 215083</p> |  <p>Male-on-Board Part Number 215464</p> |  <p>COSI Part Number 338095 Part Number 338096 Part Number 338097</p> |  <p>Paddle Board Part Number 215570</p> |
|  <p>Female Top Entry Part Number 215079</p> | <p>1</p>  | <p>2</p>  | <p>3</p>  | |
|  <p>Female Side Entry Part Number 215460</p> | <p>4</p>  | <p>5/6</p>  | <p>7</p>  | |
|  <p>SMD Top Entry Part Number 188275</p> | <p>8</p>  | <p>9</p>  | <p>10</p>  | |

| Image | Description (see also page 33) |
|-------|---|
| 1 | Wire-to-Board through hole |
| 2 | Board-to-Board through hole |
| 3 | Wire-to-Board (discrete wire), through hole |
| 4 | Wire-to-Board right angle, through hole |
| 5 | Board-to-Board right angle, through hole |
| 6 | Board-to-Board right angle, through hole |
| 7 | Wire-to-Board right angle (discrete wire), through hole |
| 8 | Wire-to-Board surface mount |
| 9 | Board-to-Board surface mount, through hole |
| 10 | Wire-to-Board (discrete wire), surface mount |

Micro-MaTch Miniature Connector System Applications (2 Dimensions)



Micro-MaTch Miniature Connector System Applications (2 Dimensions)

| Image | Dimensions (mm) | | | | | | |
|-------|-----------------|---------|------|---------|---------|--------|---------|
| | A (max) | B (max) | C | D (max) | E (max) | F(max) | G (max) |
| 1 | 5.2 | 7.5 | 2.54 | — | — | — | — |
| 2 | 5.2 | 6.2 | 2.54 | — | — | — | — |
| 3 | 5.2 | 9.7 | 2.54 | — | — | — | — |
| 4 | 8.4 | 5.9 | 2.54 | 1.5 | — | — | — |
| 5 | 5.2 | 5.9 | 2.54 | 1.5 | 7.0 | 1.6 | — |
| 6 | 5.2 | 5.9 | 2.54 | 1.5 | — | — | 2.8 |
| 7 | 5.2 | 5.9 | 2.54 | 1.5 | 10.6 | — | — |
| 8 | 5.2 | 8.5 | — | 7.1 | — | — | — |
| 9 | 5.2 | 7.1 | 2.54 | 7.1 | — | — | — |
| 10 | 5.2 | 10.7 | — | 7.1 | — | — | — |

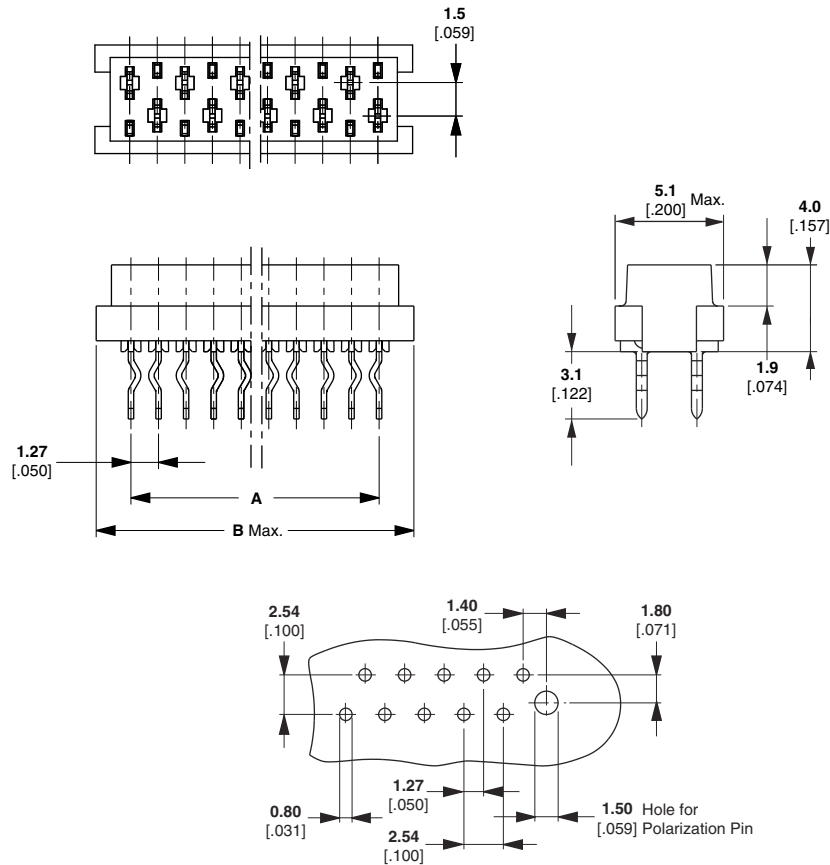
**Micro-MaTch Miniature Connector System —
Female-on-Board Connector, Top Entry**



This connector version incorporates the Micro-MaTch contact spring system and is designed to be soldered onto PC Boards with a nominal thickness of 1.6 mm.

The solder legs are indented, providing firm retention of the connector before and during the soldering operations.

As polarization is accomplished directly between the Micro-MaTch male connectors and the PC Board, this top entry female connector does not have any polarizing features. Therefore, the orientation of the connector on the PC Board is irrelevant.



**Typical Hole Pattern
Not Solder Side Shown**

Notes:

1. Connectors are always sideways mounted onto an adhesive tape.
2. Standard packaging quantity is 2500 connectors on a reel with a diameter of 600 mm.
3. At additional charge a special packaging option is available: 250 connectors on a reel with a diameter of 250 mm, packed in a dedicated dispenser box.

Mates with:

- X-338095-X
- X-215083-X
- X-215464-X
- X-338728-X

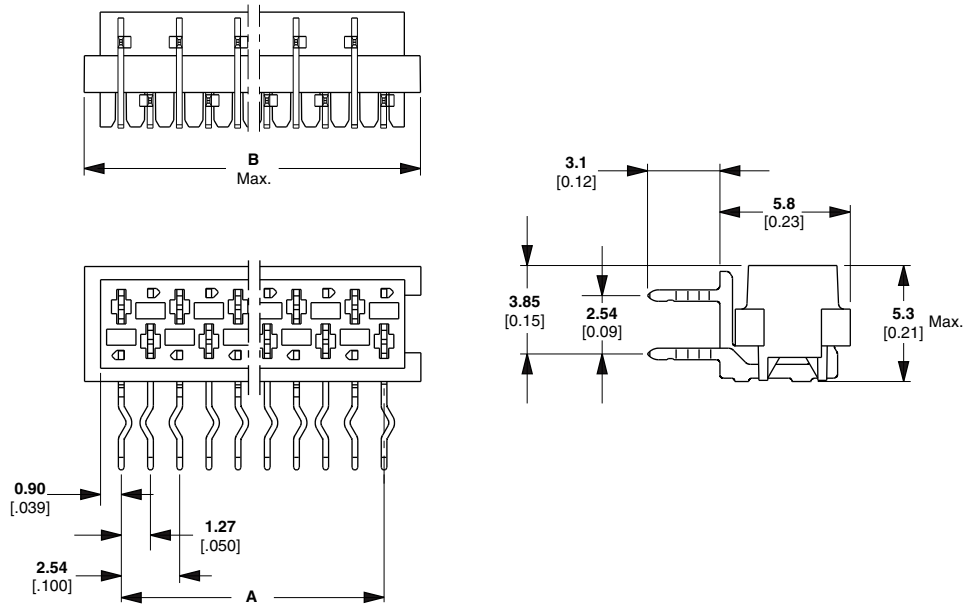
| No. of Positions | Dimensions (mm) | | Part Numbers | |
|------------------|-----------------|------|----------------------|--------------------|
| | A | B | 2500 Connectors/Reel | 250 Connectors/Box |
| 4 | 3.81 | 7.1 | 215079-4 | 7-215079-4 |
| 6 | 6.35 | 9.7 | 215079-6 | 7-215079-6 |
| 8 | 8.89 | 12.2 | 215079-8 | 7-215079-8 |
| 10 | 11.43 | 14.7 | 1-215079-0 | 8-215079-0 |
| 12 | 13.97 | 17.3 | 1-215079-2 | 8-215079-2 |
| 14 | 16.51 | 19.8 | 1-215079-4 | 8-215079-4 |
| 16 | 19.05 | 22.4 | 1-215079-6 | 8-215079-6 |
| 18 | 21.59 | 24.9 | 1-215079-8 | 8-215079-8 |
| 20 | 24.13 | 27.4 | 2-215079-0 | 9-215079-0 |

**Micro-MaTch Miniature Connector System —
Female-on-Board Connector, Side Entry**



This connector version is identical to the top entry version with two exceptions:

- The solder legs are parallel to the mating face of the connector instead of perpendicular.
- It's housing is polarized, so that polarization is accomplished directly between the two mating connectors. Proper orientation of the connectors on the PC Board is relevant here.



**Recommended PCB Hole Layout
Not Solder Side Shown**

Notes:

1. Connectors are always sideways mounted onto an adhesive tape.
2. Standard packaging quantity is 2500 connectors on a reel with a diameter of 600 mm.
3. At additional charge a special packaging option is available: 250 connectors on a reel with a diameter of 250 mm, packed in a dedicated dispenser box.

Mates with:

- X-338095-X
- X-215083-X
- X-215464-X
- X-338728-X

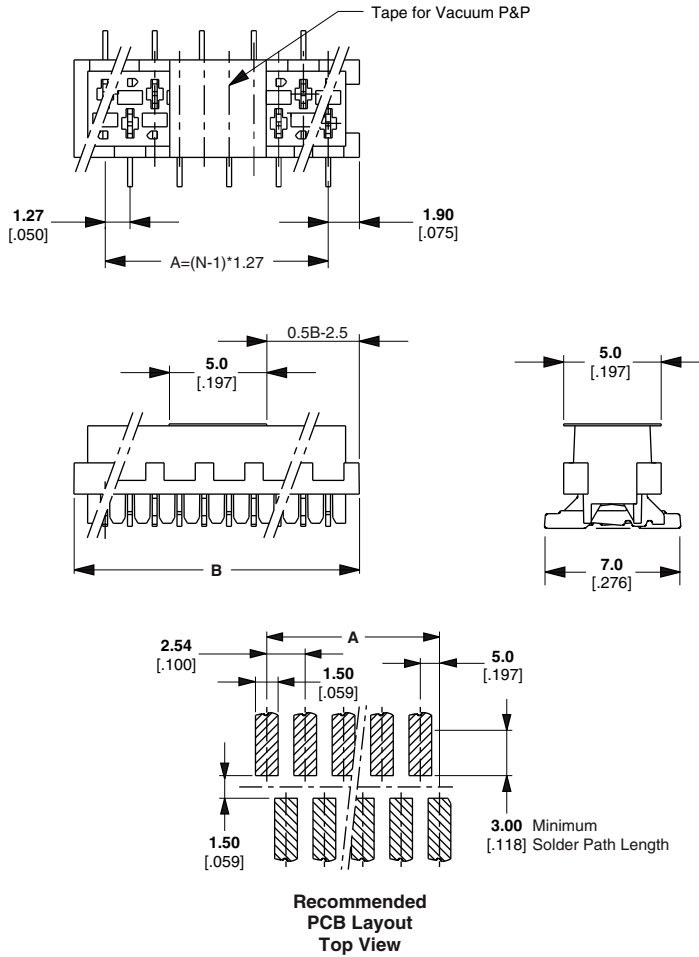
| No. of Positions | Dimensions (mm) | | Part Numbers | |
|------------------|-----------------|------|----------------------|--------------------|
| | A | B | 2500 Connectors/Reel | 250 Connectors/Box |
| 4 | 3.81 | 7.1 | (1500) 215460-4 | 7-215460-4 |
| 6 | 6.35 | 9.7 | 215460-6 | 7-215460-6 |
| 8 | 8.89 | 12.2 | 215460-8 | 7-215460-8 |
| 10 | 11.43 | 14.7 | 1-215460-0 | 8-215460-0 |
| 12 | 13.97 | 17.3 | 1-215460-2 | 8-215460-2 |
| 14 | 16.51 | 19.8 | 1-215460-4 | 8-215460-4 |
| 16 | 19.05 | 22.4 | 1-215460-6 | 8-215460-6 |
| 18 | 21.59 | 24.9 | 1-215460-8 | 8-215460-8 |
| 20 | 24.13 | 27.4 | 2-215460-0 | 9-215460-0 |

**Micro-MaTch Miniature Connector System —
Female-on-Board Connector Surface Mount Device (SMD)**



This SMD connector version is designed for standard reflow and infrared solder processes ("FULL SMD"). Polarization is accomplished by the housing, therefore no polarization holes in the PC Board are required.

The contact is designed with an additional spring to compensate for differences in thermal expansion between housing and PCB. Due to this feature, tension on solder joints is prevented.



Notes:

1. To enable automatic pick & placement, connectors are always packed in embossed tape according EIA481 specification.
2. Standard packaging quantity is 900 pcs on a reel with a diameter of 330 mm.
3. Connectors are supplied with or without a feature for vacuum Pick & Placement.
4. For this connector no additional solder hold down is required.

Mates with:

- X-338095-X
- X-215083-X
- X-215464-X
- X-338728-X

| No. of Positions | Dimensions (mm) | | Part Numbers | |
|------------------|-----------------|------|----------------------|--------------------|
| | A | B | 2500 Connectors/Reel | 250 Connectors/Box |
| 4 | 3.81 | 7.1 | 188275-4 | 7-188275-4 |
| 6 | 6.35 | 9.7 | 188275-6 | 7-188275-6 |
| 8 | 8.89 | 12.2 | 188275-8 | 7-188275-8 |
| 10 | 11.43 | 14.7 | 1-188275-0 | 8-188275-0 |
| 12 | 13.97 | 17.3 | 1-188275-2 | 8-188275-2 |
| 14 | 16.51 | 19.8 | 1-188275-4 | 8-188275-4 |
| 16 | 19.05 | 22.4 | 1-188275-6 | 8-188275-6 |
| 18 | 21.59 | 24.9 | 1-188275-8 | 8-188275-8 |
| 20 | 24.13 | 27.4 | 2-188275-0 | 9-188275-0 |

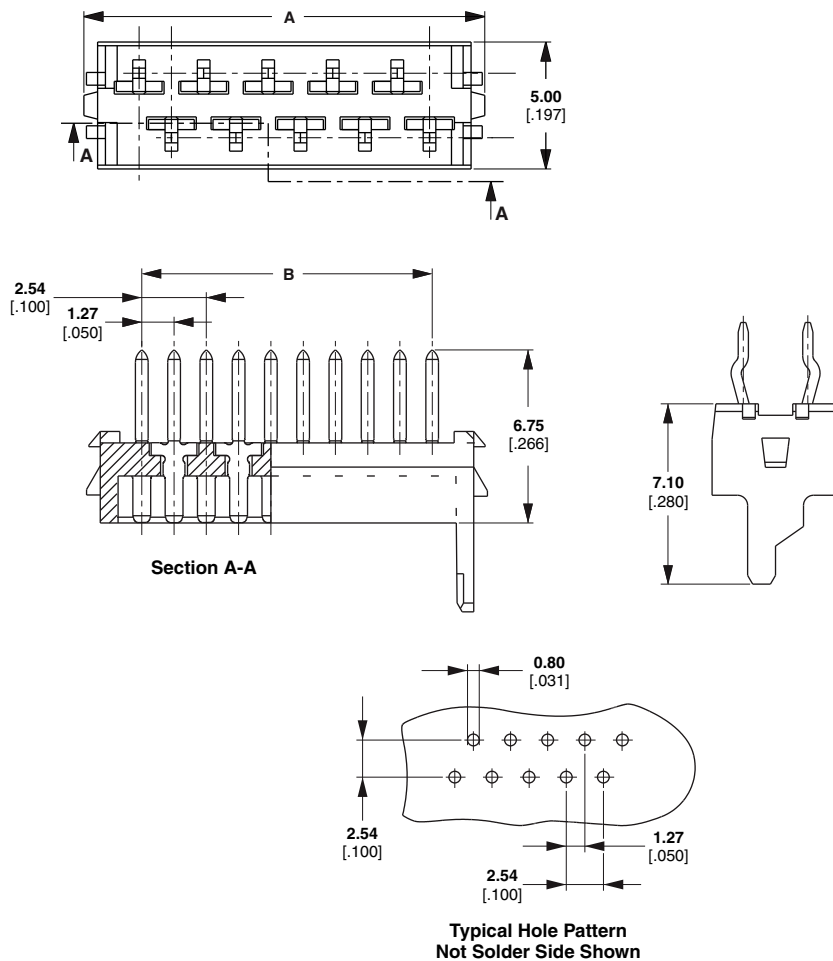
Micro-MaTch Miniature Connector System — Male-on-Board Connector



This male connector version is designed to be soldered onto PC Boards with a nominal thickness of 1.6 mm.

The solder legs are indented for firm retention of the connector in the PC Board.

The connector housing features a polarizing pin on one end for proper orientation of this connector version.



Micro-MaTch Miniature Connector System — Male-on-Board Connector

Notes:

1. To enable automatic pick & placement, connectors are always packed in embossed tape according to EIA481 specification.
2. Standard packaging quantity is 900 pcs on a reel with a diameter of 330 mm.
3. Connectors are supplied with or without a feature for vacuum pick & placement.
4. For this connector no additional solder hold down is required.

Mates with:

- X-338095-X
- X-215083-X
- X-215464-X
- X-338728-X

| No. of Positions | Dimensions (mm) | | Part Numbers | |
|------------------|-----------------|------|----------------------|--------------------|
| | A | B | 2500 Connectors/Reel | 250 Connectors/Box |
| 4 | 3.81 | 8.2 | 215464-4 | 7-215464-4 |
| 6 | 6.35 | 10.7 | 215464-6 | 7-215464-6 |
| 8 | 8.89 | 13.3 | 215464-8 | 7-215464-8 |
| 10 | 11.43 | 15.8 | 1-215464-0 | 8-215464-0 |
| 12 | 13.97 | 18.3 | 1-215464-2 | 8-215464-2 |
| 14 | 16.51 | 20.8 | 1-215464-4 | 8-215464-4 |
| 16 | 19.05 | 23.4 | 1-215464-6 | 8-215464-6 |
| 18 | 21.59 | 25.9 | 1-215464-8 | 8-215464-8 |
| 20 | 24.13 | 28.4 | 2-215464-0 | 9-215464-0 |

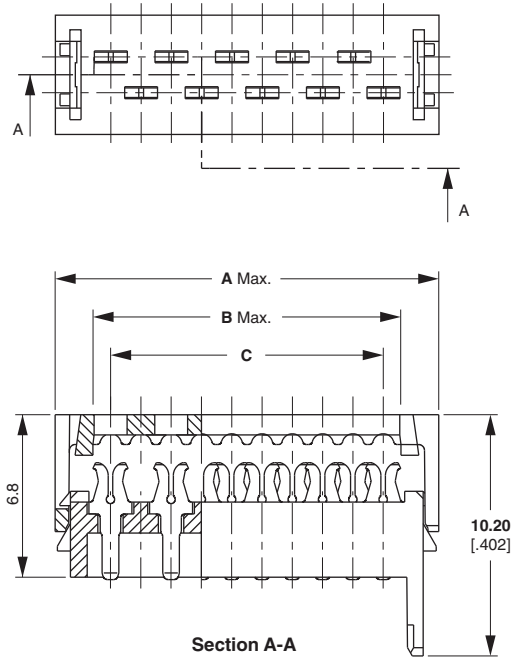
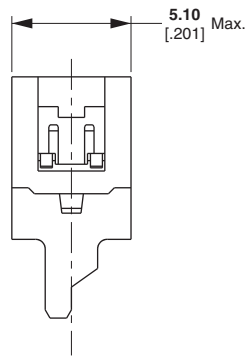
**Micro-MaTch Miniature Connector System —
Male-on-Wire Connector**



For the wire connection, a well-known type blade with a single slot is used. The insides of the slots are tin plated for stable and reliable connections.

The connector is supplied with a pre-assembled cover, providing excellent positioning of the ribbon cable before and during the insulation displacement process.

After termination the cover is held in place by each individual contact in addition to two plastic latches at both ends of the connector.



Remark:

The Micro-MaTch male-on-wire connector is specifically designed to be disengaged from its counterpart by pulling the cable in the appropriate direction.

Notes:

1. Connectors are always sideways mounted onto an adhesive tape.
2. Standard packaging quantity is 2500 connectors on a reel with a diameter of 600 mm.
3. At additional charge a special packaging option is available: 250 diameter of 250 mm, packed in a dedicated dispenser box.

Mates with:

- X-215460-X
- X-188275-X
- X-215079-X
- X-338068-X
- X-338069-X
- X-338070-X
- X-100411-X
- X-188431-X

| No. of Positions | Dimensions (mm) | | | Part Numbers | |
|------------------|-----------------|------|-------|----------------------|--------------------|
| | A | B | C | 2500 Connectors/Reel | 250 Connectors/Box |
| 4 | 8.6 | 5.4 | 3.81 | 215083-4 | 7-215083-4 |
| 6 | 11.1 | 8.0 | 6.35 | 215083-6 | 7-215083-6 |
| 8 | 3.6 | 10.5 | 8.89 | 215083-8 | 7-215083-8 |
| 10 | 16.2 | 13.0 | 11.43 | 1-215083-0 | 8-215083-0 |
| 12 | 18.7 | 15.6 | 13.97 | 1-215083-2 | 8-215083-2 |
| 14 | 21.3 | 18.1 | 16.51 | 1-215083-4 | 8-215083-4 |
| 16 | 23.8 | 20.7 | 19.05 | 1-215083-6 | 8-215083-6 |
| 18 | 26.3 | 23.2 | 21.59 | 1-215083-8 | 8-215083-8 |
| 20 | 28.9 | 25.7 | 24.13 | 2-215083-0 | 9-215083-0 |
| 24 | 34.0 | 30.8 | 29.21 | 2-215083-4 | 9-215083-4 |

Micro-MaTch Miniature Connector System — Paddle Board Connector

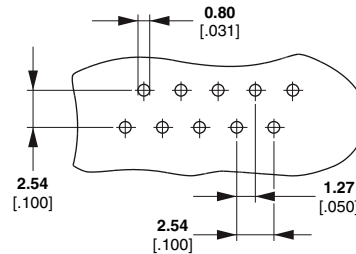
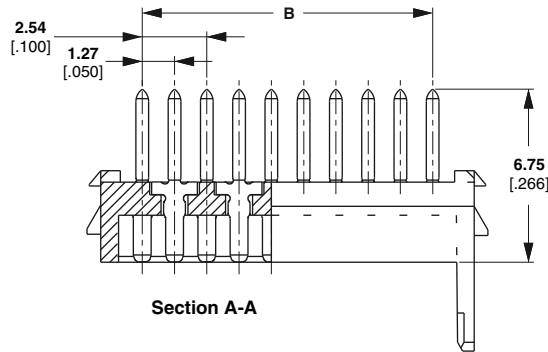
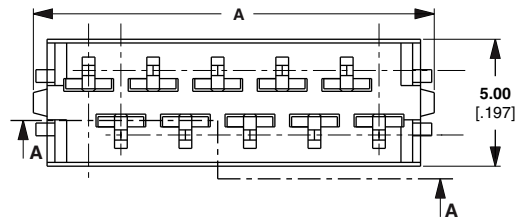


Direct soldering of a ribbon cable onto a PC Board is a very difficult job with the smaller sizes of ribbon cable. If such a permanent cable connection is required, the application can be facilitated by using this connector type.

The Paddle Board connector is applied to the ribbon cable with the same application tooling, available for the termination of the Male-on-Wire connector.

The solder legs are indented and provide mechanical retention of the connector/cable assembly in the PC Board before and during soldering.

This Paddle Board connector version is designed to be soldered onto PC Boards with a nominal thickness of 1.6 mm.



Typical Hole Pattern
Not Solder Side Shown

Notes:

1. To enable automatic pick & placement, connectors are always packed in embossed tape according EIA481 specification.
2. Standard packaging quantity is 900 pcs on a reel with a diameter of 330 mm.
3. Connectors are supplied with or without a feature for vacuum pick & placement.
4. For this connector no additional solder hold down is required.

No mate — direct soldering of ribbon cable onto the PC Board

| No. of Positions | Dimensions (mm) | | | Part Numbers | |
|------------------|-----------------|------|-------|----------------------|--------------------|
| | A | B | C | 2500 Connectors/Reel | 250 Connectors/Box |
| 4 | 8.6 | 5.4 | 3.81 | 215570-4 | 7-215570-4 |
| 6 | 11.1 | 8.0 | 6.35 | 215570-6 | 7-215570-6 |
| 8 | 3.6 | 10.5 | 8.89 | 215570-8 | 7-215570-8 |
| 10 | 16.2 | 13.0 | 11.43 | 1-215570-0 | 8-215570-0 |
| 12 | 18.7 | 15.6 | 13.97 | 1-215570-2 | 8-215570-2 |
| 14 | 21.3 | 18.1 | 16.51 | 1-215570-4 | 8-215570-4 |
| 16 | 23.8 | 20.7 | 19.05 | 1-215570-6 | 8-215570-6 |
| 18 | 26.3 | 23.2 | 21.59 | 1-215570-8 | 8-215570-8 |
| 20 | 28.9 | 25.7 | 24.13 | 2-215570-0 | 9-215570-0 |
| 24 | 34.0 | 30.8 | 29.21 | 2-215570-4 | — |

Micro-MaTch Miniature Connector System — Crimp On Snap In (COSI) Connector

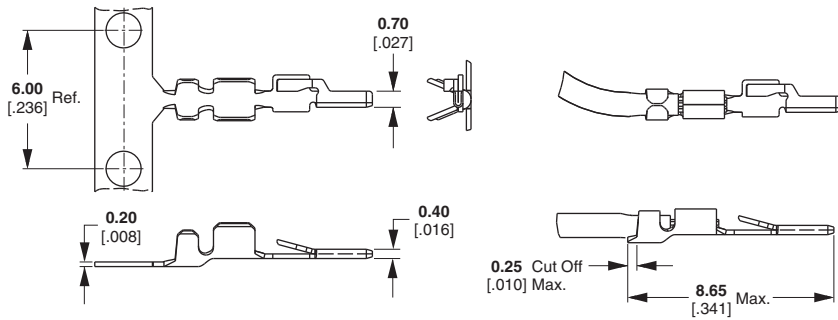
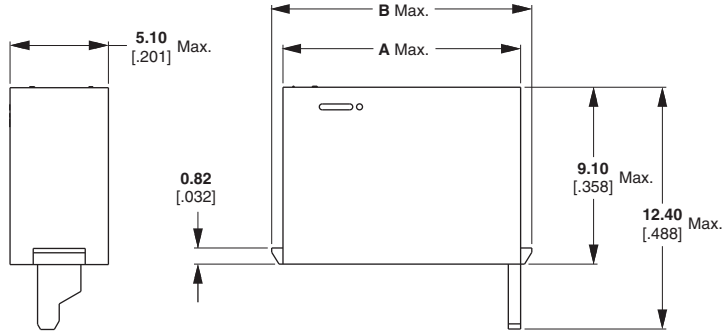
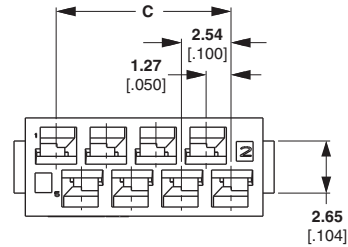


Basic Part Number 338095 and Contacts Part Numbers 338096 and 338097

This crimp version for discrete Wire-to-Board applications is fully compatible with all female connectors of the Micro-MaTch family.

Insulation and wire crimp barrel are copies of the well proven AMPLIMITE contacts. After mating with a Micro-MaTch female connector the contacts are fully protected by isolating plastics. Contacts are made of a pre-tinned phosphor bronze.

Contacts are supplied in a range for 24-20 AWG and 28-24 AWG. For repair operations an extraction tool is available; Part Number 734873-1.



Notes:

1. Contacts can be crimped using a mini stripper crimper based applicator.
2. For the contacts on strip the standard packaging quantity is 15.000 pcs on a reel with a diameter of 600 mm.
3. For repair/service contacts are packaged 750 pcs. Per reel, to be used with handtools.
4. The housings are bulk packed in a box with a packaging quantity varying from 200 to 900 pcs per box.

Mates with:
X-338095-X

| Wire Size Range | | Insulation Diameter (mm) | Part Number | |
|--------------------|-------|--------------------------|--------------------|-----------------|
| (mm ²) | (AWG) | | Large reel, 15,000 | Small reel, 750 |
| 0.08-0.20 | 28-24 | 0.76-1.00 | 338096-1 | 1-338096-1 |
| 0.20-0.50 | 24-20 | 1.27-1.52 | 338097-1 | 1-338097-1 |

Mates with:
X-215460-X
X-188275-X
X-215079-X
X-338068-X
X-338069-X
X-338670-X
X-100411-X
X-188431-X

| No. of Positions | Dimensions (mm) | | | Part Numbers | |
|------------------|-----------------|------|-------|----------------------|--------------------|
| | A | B | C | 2500 Connectors/Reel | 250 Connectors/Box |
| 4 | 7.2 | 8.4 | 3.81 | 338095-4 | 900 |
| 6 | 9.8 | 10.9 | 6.35 | 338095-6 | 700 |
| 8 | 12.3 | 13.5 | 8.89 | 338095-8 | 500 |
| 10 | 14.9 | 16.0 | 11.43 | 1-338095-0 | 450 |
| 12 | 17.4 | 18.5 | 13.97 | 1-338095-2 | 400 |
| 14 | 19.9 | 21.1 | 16.51 | 1-338095-4 | 350 |
| 16 | 22.5 | 23.6 | 19.05 | 1-338095-6 | 300 |
| 18 | 25.0 | 26.2 | 21.59 | 1-338095-8 | 250 |
| 20 | 27.6 | 28.7 | 24.13 | 2-338095-0 | 200 |

Micro-MaTch Miniature Connector System — Specials

SMC Connector Part Number 100411

This connector type enables a solderless application to the printed circuit board. Contact is made on the surface of the PCB, enabling the use of paperphenol and epoxy boards with both drilled and punched holes. This connector is suitable for both wire-to-board as board-to-board connections. Because this connector is mounted on the solder side, the components of both PCB's in a parallel Board-to-Board application, will be in the same direction. By this, the stacking of two or more PCB's is possible. Application tooling available on request.

Mates with: **X-215464-X** **X-215083-X**
 X-338095-X

Locking Latch Part Numbers 338068/338069/338070

For wire-to-board applications this feature provides an audible click during mating. This feature is available for the standard Micro-MaTch female connectors. Cross reference is made by base part number x-338068-x instead of x-215079-x, x-338069-x instead of x-188275-x and x-338070-x instead of x-215460-x (standard large reel packaging only).

Mates with: **X-338095-X** **X-338728-X**
 X-215464-X **X-215083-X**

In-board SMD Part Number 188431

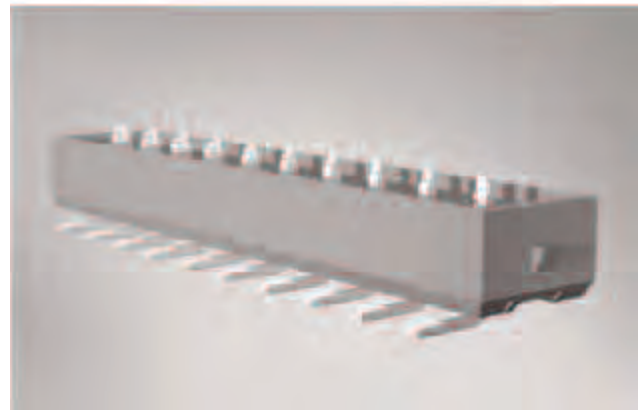
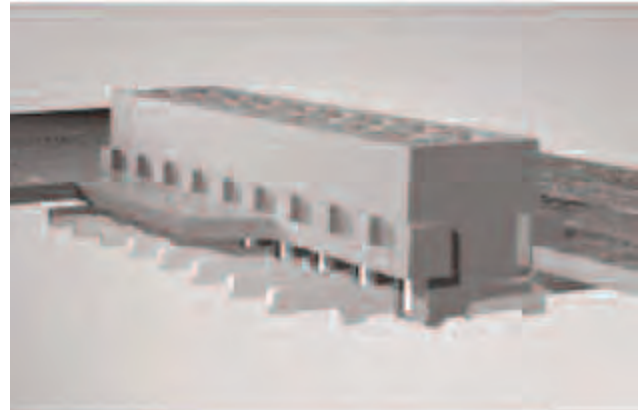
This connector is only tooled in 20 position (9-188431-0) and packaged in embossed tape according to EIA481 standards. The connectors are equipped with a feature for vacuum pick & placement. It enables the mounting of a PCB with the solder side direct behind e.g. a display. It is also possible to obtain a parallel BTB application with an extreme low PCB distance of 4.2 mm.

Mates with: **X-338095-X** **X-338728-X**
 X-215464-X **X-215083-X**

Male SMD Part Number 338728

This connector enables the possibility to have a full SMD to SMD board-to-board application. It mates with all Micro-MaTch female connectors, and will be packaged according EIA 481 standard. Consult Tyco Electronics for more information.

Mates with: **X-215079-X** **X-338070-X**
 X-215460-X **X-188431-X**
 X-188275-X **X-338068-X**
 X-338069-X



Micro-MaTch Miniature Connector System Application Tooling



Pistol Handgrip Tooling. This is a handtool for terminating Micro-MaTch Male-on-Wire and Paddle Board connectors. Meant for small quantities or repair services. Pistol handgrip and adapter must be ordered separately.

Standard Pistol Handgrip Part Number 734155-1. This basic tool can be used for Micro-MaTch and other applications.

Pistol Handgrip Adapter Set Part Number 734024-1. This adapter can be used for Micro-MaTch terminations, together with the pistol handgrip.



Bench Press Tooling Part Number 733280-3. This complete tool includes a Micro-MaTch dedicated tool set mounted on the bench press 654173-2.

Bench Press Part Number 91085-2. This basic press is a hand operated version. This press can also be obtained in a pneumatically operated version; Part Number 91112-3.

Bench Press Tool Set Part Number 733278-2. This tool set is designed especially for Micro-MaTch. It fits both pneumatically and hand operated press.



COSI Hand Tooling Part Number 734870-1 for 24-20 AWG, and **Part Number 734870-2** for 28-24 AWG. These dedicated tools can be obtained for services/repair applications.

AMP-O-LECTRIC G-terminator Model Part Number 677499-1.

Applicators for AMP-O-LECTRIC G-terminator. Part Number 677894-1 for AWG 28-24 (Part Number 338096-1) and **Part Number 677895-1** for AWG 24-20 (Part Number 338097-1).

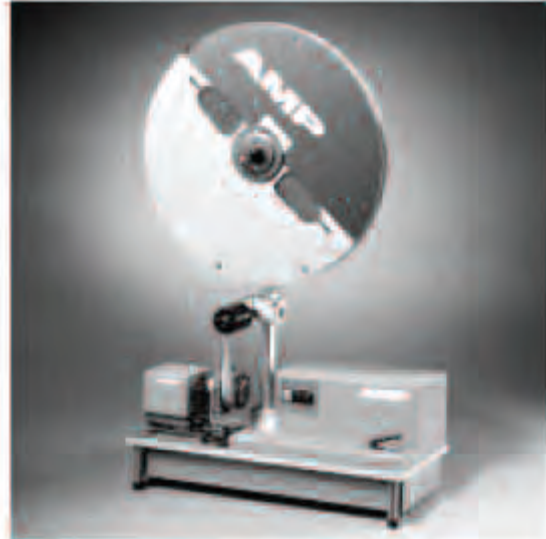
Micro-MaTch Miniature Connector System Application Tooling (Continued)

Semiautomatic Tooling Part Number 677410-1.

This tool can be used for Micro-MaTch connector lead end and for daisy chain assembly applications.

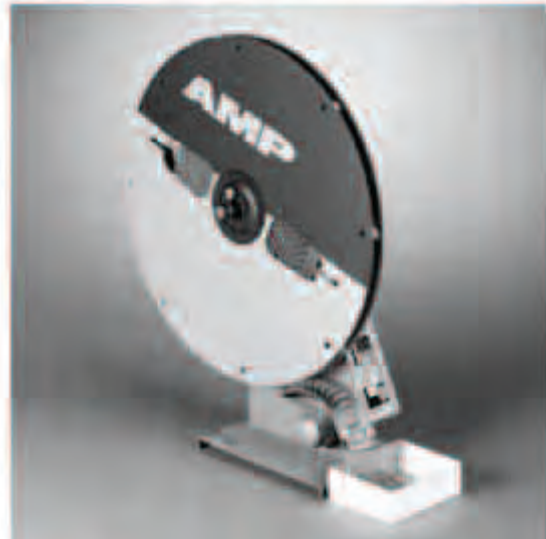


Semiautomatic Tooling Part Number 677412-5 for Micro-MaTch connectors only and **Part Number 1-677412-0** for both Micro-MaTch and other ribbon cables. This machine can be used for lead end assemblies.



Connector Dispenser Part Number 677463-1.

The dispenser accepts the Micro-MaTch standard connectors reels (2500 pcs/reel). It automatically removes the pre-set connector quantity from the reel and drops it in a separate box. Quantity can easily be programmed by the user.



Micro-MaTch Miniature Connector System Lead Assembly

It is possible to deliver custom made Micro-MaTch connector lead assemblies, both cable end assemblies and daisy-chain assemblies, in all positions between 4 and 20 in all required cable lengths. All leads are 100% electrically tested on shortcut and connection before shipment. A flexible 7 stranded cable is used for easy assembly. Special cable on request. For order information contact Tyco Electronics.



Micro-MaTch Miniature Connector System Sample Box

Sample Box Part Number 1377074-1

This box includes samples of all connector types within the Micro-MaTch connector family, examples of leads, printed circuit boards and a CD-ROM. The CD-ROM includes an electronic version of this catalogue, an animation of the contact principle and CAD files of all connector types.

This sample box is an aid in visualizing the variety of applications where Micro-MaTch connector can be implemented.



Universal I/O Pin Connectors without Mounting Ears

Material and Finish

Housing and Cover — Flame retardant UL 94V-0 rated thermoplastic, black

Contacts — Phosphor bronze, .000100 [0.00254] min. tin on termination end, .000030 [0.00762] min. gold on mating end, both over .000050 [0.00127] min. nickel

Technical Documents

Product Specification

108-1336

Application Specification

114-7011

Instruction Sheets

408-9720

408-6939

- Recognized under the Component Program of the Underwriters Laboratories, Inc. UL File No. E28476



- Certified by the Canadian Standards Association, File No. LR 7189



Accessories

Strain Relief — page 67

Ejector Latch — page 63

Military Polarizer — page 63

Terminates 26 and 28 AWG solid or stranded ribbon cable. See Application Specification for cable requirements.

Related Product Data

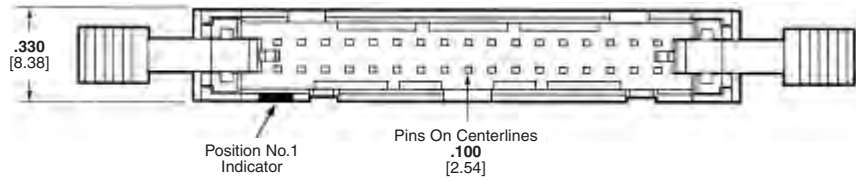
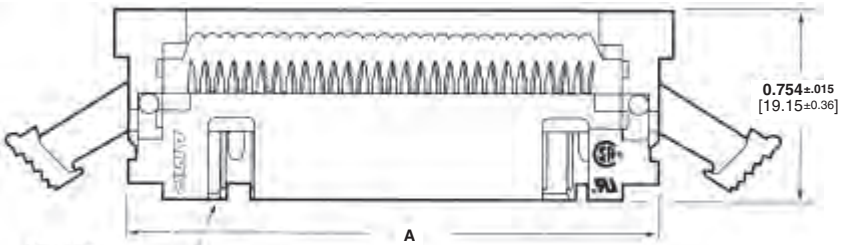
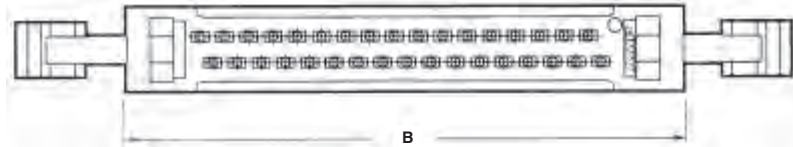
Mateable Receptacles Novo — pages 48-51

Female Socket Connectors — pages 52-55



Without Latches

With Latches



| No. of Positions | Dimensions | | Part Numbers of Connectors with: | | |
|-------------------|----------------|----------------|----------------------------------|----------------------------|---------------------------|
| | A | B | No Latches | Short Latches ¹ | Long Latches ² |
| 10 ^{3,4} | .992 25.20 | 1.072 27.23 | 1-111446-4 | 1-111492-5 | 1-111504-4 |
| 14 ^{3,4} | 1.192 30.28 | 1.272 32.31 | 1-111446-5 | 1-111492-6 | 1-111504-5 |
| 16 | 1.292 32.82 | 1.372 34.85 | 1-111446-6 | 1-111492-7 | 1-111504-6 |
| 20 | 1.492 37.90 | 1.572 39.93 | 1-111446-8 | — | 1-111504-7 |
| 24 | 1.692 42.98 | 1.772 45.01 | 1-111446-9 | 1-111492-9 | 1-111504-8 |
| 26 | 1.792 45.52 | 1.872 47.55 | 2-111446-0 | 2-111492-0 | — |
| 30 | 1.992 50.60 | 2.072 52.63 | 2-111446-1 | 2-111492-1 | 2-111504-0 |
| 34 | 2.192 55.68 | 2.272 57.71 | 2-111446-2 | 2-111492-2 | — |
| 40 | 2.492 63.30 | 2.572 65.33 | 2-111446-3 | 2-111492-3 | — |
| 44 | 2.692 68.38 | 2.772 70.41 | 2-111446-4 | 2-111492-4 | 2-111504-3 |
| 50 | 2.992 76.00 | 3.072 78.03 | 1-111446-7 | 2-111492-5 | — |
| 60 | 3.492 88.70 | 3.572 90.73 | 2-111446-5 | 2-111492-6 | — |
| 64 | 3.692 93.78 | 3.772 95.81 | 2-111446-6 | — | 2-111504-6 |

¹ Use short latch versions when mating connectors without strain reliefs are used.
² Use long latch versions when mating connectors with strain reliefs are used.
³ No slot on end with position No. 1 indicator for 10 and 14-position connectors.
⁴ No slot for snap-in polarizer on end with position No. 1 indicator for 10 and 14-position connectors.

Note: All part numbers are RoHS compliant.

Universal I/O Pin Connectors with Slotted Mounting Ears

Material and Finish

Housing and Cover — Flame retardant UL 94V-0 rated thermoplastic, black

Contacts — Phosphor bronze, .000100 [0.00254] min. tin on termination end, .000030 [0.00762] min. gold on mating end, both over .000050 [0.00127] min. nickel

Technical Documents

Product Specification

108-1336

Application Specification

114-7011

Instruction Sheets

408-9720

408-6939

■ **Recognized under the Component Program of the Underwriters Laboratories, Inc.** UL File No. E28476



■ **Certified by the Canadian Standards Association,** File No. LR 7189



Accessories

Ejector Latch — page 63

Military Polarizer — page 63

Terminates 26 and 28 AWG solid or stranded ribbon cable. See Application Specification for cable requirements.

Related Product Data

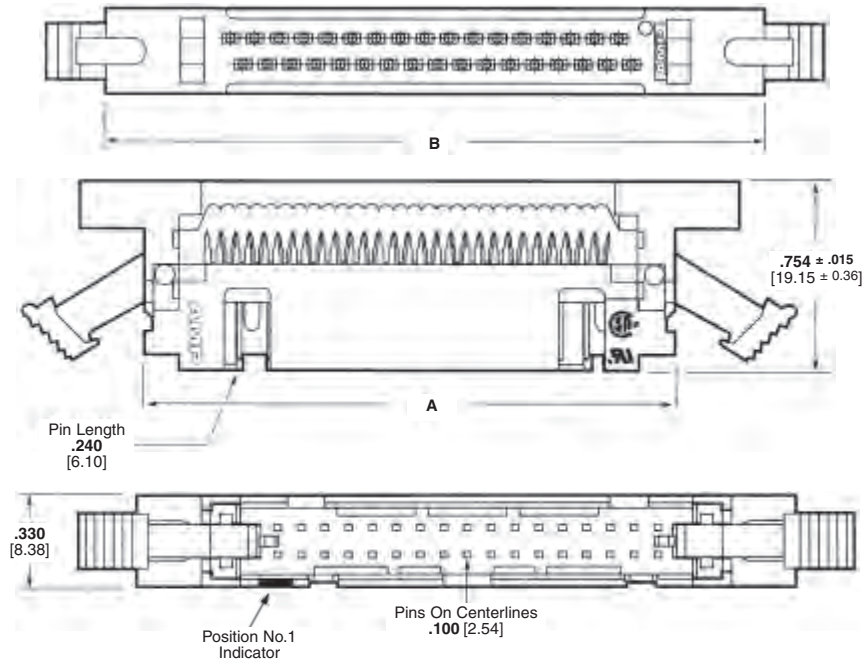
Mateable Receptacles Novo — pages 48-51

Female Socket Connectors — pages 52-55



Without Latches

With Latches



| No. of Positions | Dimensions | | Part Numbers of Connectors with: | | |
|-------------------|----------------|-----------------|----------------------------------|----------------------------|---------------------------|
| | A | B | No Latches | Short Latches ¹ | Long Latches ² |
| 10 ^{3,4} | .992 25.20 | 1.476 37.49 | 5111448-1 | 1-111494-5 | 1-111506-6 |
| 14 ^{3,4} | 1.192 30.28 | 1.676 42.57 | — | — | — |
| 16 | 1.292 32.82 | 1.776 45.11 | 5111448-3 | — | 1-111506-8 |
| 20 | 1.492 37.90 | 1.976 50.19 | 5111448-4 | 1-111494-8 | — |
| 24 | 1.692 42.98 | 2.176 55.27 | 5111448-5 | 1-111494-9 | 2-111506-0 |
| 26 | 1.792 45.52 | 2.276 57.81 | — | — | 2-111506-1 |
| 30 | 1.992 50.60 | 2.476 62.89 | 5111448-7 | 2-111494-0 | — |
| 34 | 2.192 55.68 | 2.676 67.97 | 5111448-8 | 2-111494-1 | — |
| 40 | 2.492 63.30 | 2.976 75.59 | 5111448-9 | 2-111494-2 | 2-111506-4 |
| 44 | 2.692 68.38 | 3.176 80.67 | — | 2-111494-3 | 2-111506-5 |
| 50 | 2.992 76.00 | 3.476 88.29 | — | 2-111494-4 | 1-111506-4 |
| 60 | 3.492 88.70 | 3.976 100.99 | — | 2-111494-5 | — |
| 64 | 3.692 93.78 | 4.176 106.07 | 1-5111448-3 | 2-111494-6 | — |

¹ Use short latch versions when mating connectors without strain reliefs are used.

² Use long latch versions when mating connectors with strain reliefs are used.

³ No slot on end with position No. 1 indicator for 10 and 14-position connectors.

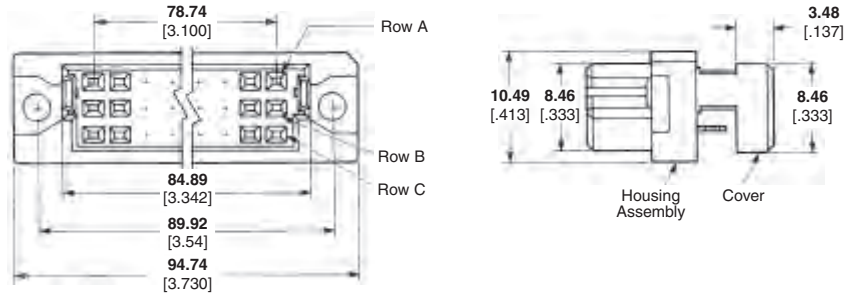
⁴ No slot for snap-in polarizer on end with position No. 1 indicator for 10 and 14-position connectors.

Note: All part numbers are RoHS compliant.

.050 [1.27] Centerline Ribbon Cable Connectors Universal I/O Pin Connectors with Slotted Mounting Ears

**EUROLATCH Receptacles, 64-Position
(Three-Row Housings, Two Rows Loaded)**

**Housing Assembly with
Cover (Preassembled)**



Material and Finish

Housing and Cover — UL 94V-0 rated thermoplastic, black

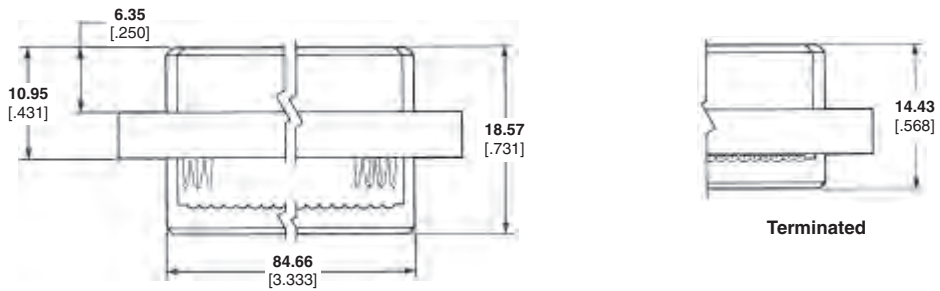
Contacts — Phosphor bronze, duplex plated 0.00076 [.000030] gold on post/pin mating end, 0.00254-0.00508 [.000100-.000200] tin on termination end, with entire contact underplated 0.00127 [.000050] nickel.

Related Product Data

Mateable Pin Connectors — Eurocard Type C and Type R— Selection Guide 82650, See Catalog 82721

Ribbon Cable — Part Number 2-57040-2 or Part Number 2-57034-5 (64 conductor)

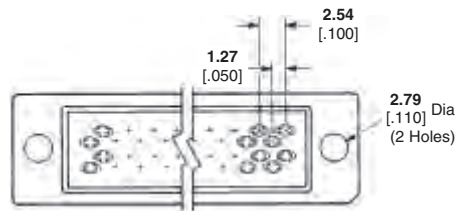
Application Tooling — pages 70-74




Technical Documents

Product Specifications
108-46003 EUROLATCH Receptacles
DIN 41612
IEC 603-2

Instruction Sheet
408-9156



■ **Recognized under the Component Program of the Underwriters Laboratories, Inc.** 
UL File No. E28476



■ **Certified by the Canadian Standards Association,** 
File No. LR 7189

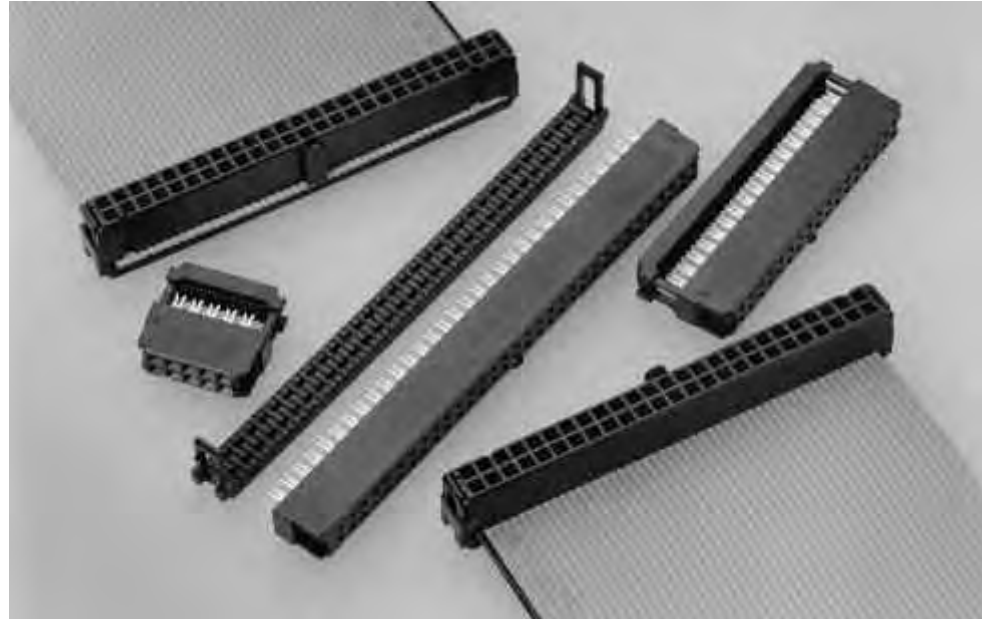
| Contact Rows Loaded | Receptacle Kit No. (Preassembled) |
|---------------------|-----------------------------------|
| A and C | 746603-4 |

Note: All part numbers are RoHS compliant.

AMP-LATCH Novo Connectors

Product Facts

- .100 x .100 [2.54 x 2.54] mating grid for .050 [1.27] pitch ribbon cable
- Tuning fork contact offers a military approved design, at an economical cost
- Polarization options include military, center and military, and dual bar
- Choice of duplex gold plating on contact mating area
- Insulation displacement contacts for fast, economical mass terminations
- Contact design provides uniform latching of contacts and housing with connector cover
- Housing, cover and strain relief made of UL 94V-0 rated thermoplastic material
- Selected 10 thru 64-position configurations available
- Accepts wire size range 28-26 AWG [0.08-0.15 mm²], solid or stranded
- Snap-on strain relief and choice of pull loops available
- One-step termination with Novo tooling
- Recognized under the Component Program of the Underwriters Laboratories, Inc.  UL File No. E28476
- Certified by the Canadian Standards Association,  File No. LR 7189



AMP-LATCH Novo receptacles offer a dual contact interface with all normal force created by metal-to-metal contact. This provides a higher degree of contact reliability.

AMP-LATCH Novo receptacles feature two rows of contacts on .100 x .100 [2.54 x 2.54] centerlines in select sizes from 10 to 64 positions. Contacts mate with .025² [0.64²] or round posts with .245 [6.22] max. and .175 [4.45] min.

lengths. The AMP-LATCH Novo tuning fork contact offers a military-approved design, and at a lower cost.

Contacts are made of phosphor bronze and are available in a choice of duplex .000015 [0.00038] or .000030 [0.00076] gold in the mating area, and .000100 [0.00254] tin in the termination area, with the entire contact underplated

with .000050 [0.00127] nickel.

Housings are made of UL 94V-0 thermoplastic material and feature military, military and center, and dual bar polarization.

Optional accessories include a snap-on strain relief and pull loops.

AMP-LATCH Novo receptacles can be terminated to .050 [1.27] pitch ribbon cable by a wide variety of one-step application tooling.

Assemblies are packaged in tubes for ease of handling, protection and termination.

**AMP-LATCH Novo Receptacles, Military Polarized*
.100 x .100 [2.54 x 2.54] Centers**

Housing Assembly with Cover (Preassembled) and Strain Relief (Optional)



Contacts mate with .025 [0.64] sq. or round pins with .245 [6.22] max. and .175 [4.45] min. lengths.

Material and Finish

Housing, Cover & Strain Relief — UL 94V-0 rated thermoplastic, black
Contacts — Phosphor bronze, duplex plated (See chart below)

Related Product Data

Mateable Pin Headers — Universal — pages 84-95
Low Profile — pages 76-83
Mateable Universal I/O Pin Connectors — pages 45 and 46

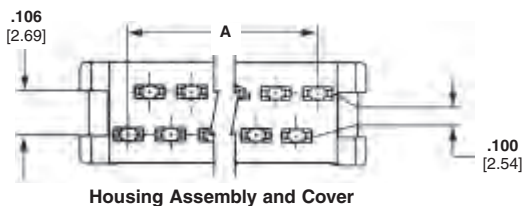
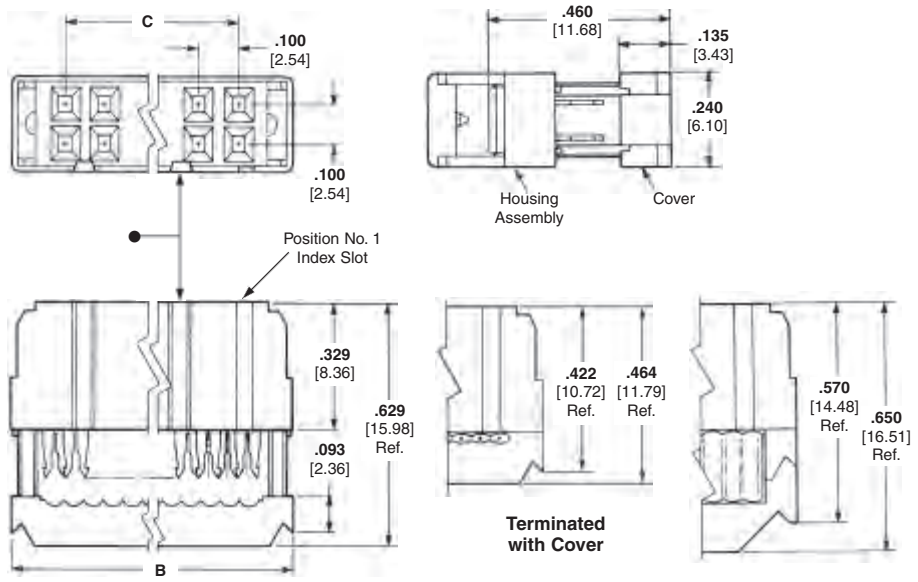
Accessories

Pull Tabs — page 63
Keying Plug — page 64
Pull Loops — page 66
Strain Relief Dimensional Information — page 68
Application Tooling — pages 70-74

Technical Documents

Product Specifications
108-40000 Novo and Novo Stackable Receptacles; 108-40004 Ribbon Cable, PVC Insulated
Application Specification
114-40005 Ribbon Cable Connectors
Instruction Sheets
Instructional material covering operation, setup, maintenance, repair, etc. is included with each machine, tool or die set. If this material is required prior to receiving your tooling, call Tyco Electronics at the numbers listed below for the applicable documents.

*These receptacles can be used in applications requiring non-polarization, as well as military polarization.



● There is no polarization slot on this end of 10- and 14-position receptacles.

| No. of Pos. | Dimensions | | | Contact Plating | Strain Relief Part No. | Receptacle (Preassembled) |
|-------------|------------|-------|-------|---------------------|------------------------|---------------------------|
| | A | B | C | | | |
| 10 | .450 | .680 | .400 | Duplex ¹ | 499252-5 | 1658620-1 |
| | 11.43 | 17.27 | 10.16 | Duplex ² | 499252-5 | 1658623-1 |
| 14 | .650 | .880 | .600 | Duplex ¹ | 499252-9 | 1658620-2 |
| | 16.51 | 22.35 | 15.24 | Duplex ² | 499252-9 | 1658623-2 |
| 16 | .750 | .980 | .700 | Duplex ¹ | 499252-8 | 1658620-3 |
| | 19.05 | 24.89 | 17.78 | Duplex ² | 499252-8 | 1658623-3 |
| 20 | .950 | 1.180 | .900 | Duplex ¹ | 499252-2 | 1658620-4 |
| | 24.13 | 29.97 | 22.86 | Duplex ² | 499252-2 | 1658623-4 |
| 24 | 1.150 | 1.380 | 1.100 | Duplex ¹ | 1-499252-0 | 1658620-5 |
| | 29.21 | 35.05 | 27.94 | Duplex ² | 1-499252-0 | 1658623-5 |
| 26 | 1.250 | 1.480 | 1.200 | Duplex ¹ | 499252-3 | 1658620-6 |
| | 31.75 | 37.59 | 30.48 | Duplex ² | 499252-3 | 1658623-6 |
| 30 | 1.450 | 1.680 | 1.400 | Duplex ¹ | 1-499252-2 | 1658620-7 |
| | 36.83 | 42.67 | 35.56 | Duplex ² | 1-499252-2 | 1658623-7 |
| 34 | 1.650 | 1.880 | 1.600 | Duplex ¹ | 499252-6 | 1658620-8 |
| | 41.91 | 47.75 | 40.64 | Duplex ² | 499252-6 | 1658623-8 |
| 40 | 1.950 | 2.180 | 1.900 | Duplex ¹ | 499252-1 | 1658620-9 |
| | 49.53 | 55.37 | 48.26 | Duplex ² | 499252-1 | 1658623-9 |
| 50 | 2.450 | 2.680 | 2.400 | Duplex ¹ | 499252-4 | 1-1658620-0 |
| | 62.23 | 68.07 | 60.96 | Duplex ² | 499252-4 | 1-1658623-0 |
| 60 | 2.950 | 3.180 | 2.900 | Duplex ¹ | 499252-7 | — |
| | 74.93 | 80.77 | 73.66 | Duplex ² | 499252-7 | — |
| 64 | 3.150 | 3.380 | 3.100 | Duplex ¹ | 1-499252-3 | 1-1658620-2 |
| | 80.01 | 85.85 | 78.74 | Duplex ² | 1-499252-3 | — |

¹.000015 [0.00038] gold or gold flash over palladium-nickel .000015 [0.00038] min. total on post/pin mating end, .000100-.000200 [0.00254-0.00508] tin on termination end, with entire contact underplated .000050 [0.00127] nickel.
².000030 [0.00076] gold or gold flash over palladium-nickel .000030 [0.00076] min. total on post/pin mating end, .000100-.000200 [0.00254-0.00508] tin on termination end, with entire contact underplated .000050 [0.00127] nickel.
Note: These receptacles include a housing assembly and cover (preassembled). Strain reliefs may be purchased separately using the component part nos. listed above. All part numbers are RoHS compliant.

**AMP-LATCH Novo Receptacles, Center and Military Polarized*
.100 x .100 [2.54 x 2.54] Centers**

Housing Assembly with Cover (Preassembled) and Strain Relief (Optional)



Contacts mate with .025 [0.64] sq. or round pins with .245 [6.22] max. and .175 [4.45] min. lengths.

Material and Finish

Housing, Cover & Strain Relief — UL 94V-0 rated thermoplastic, black

Contacts — Phosphor bronze, duplex plated (See chart below)

Related Product Data

Mateable Pin Headers —

Universal — pages 84-95

Low Profile — pages 76-83

Mateable Universal I/O Pin Connectors — pages 45 and 46

Accessories

Pull Tabs — page 63

Keying Plug — page 64

Pull Loops — page 66

Strain Relief — page 68

Application Tooling — pages 70-74

Technical Documents

Product Specifications

108-40000 AMP-LATCH Novo and AMP-LATCH Novo Stackable Receptacles; 108-40004 Ribbon Cable, PVC Insulated

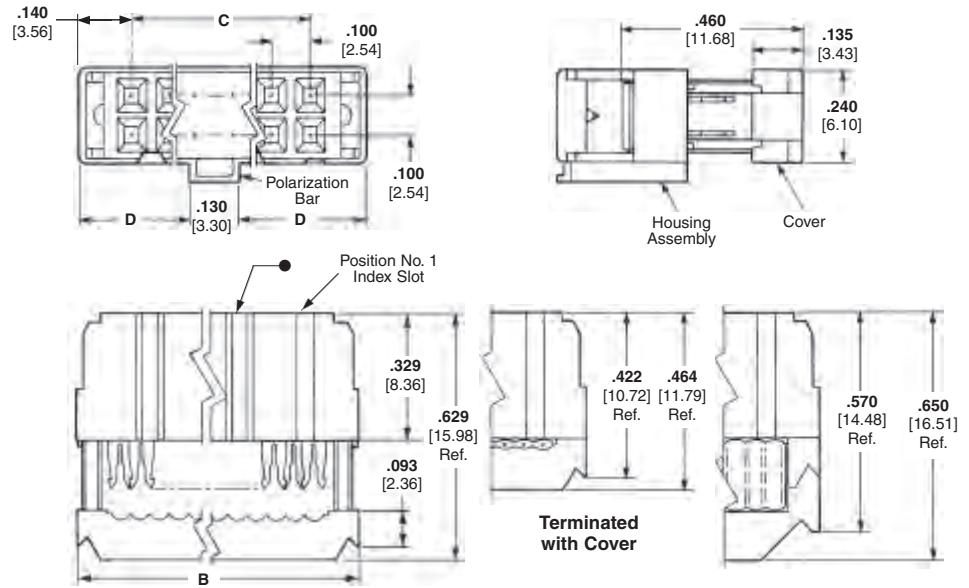
Application Specification

114-40005 Novo Receptacles

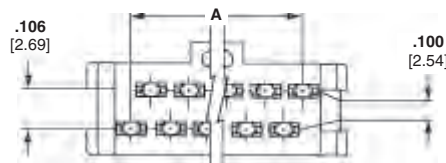
Instruction Sheets

Instructional material covering operation, setup, maintenance, repair, etc. is included with each machine, tool or die set. If this material is required prior to receiving your tooling, call Tyco Electronics at the numbers listed below for the applicable documents.

*These receptacles can be used in applications requiring center polarization.



● There is no polarization slot on this end of 10- and 14-position receptacles.



Housing Assembly and Cover

| No. of Pos. | Dimensions | | | | Contact Plating | Strain Relief Part No. | Receptacle (Preassembled) |
|-------------|------------|-------|-------|-------|---------------------|------------------------|---------------------------|
| | A | B | C | D | | | |
| 10 | .450 | .680 | .400 | .275 | Duplex ¹ | 499252-5 | 1658621-1 |
| | 11.43 | 17.27 | 10.16 | 6.99 | Duplex ² | 499252-5 | 1658622-1 |
| 14 | .650 | .880 | .600 | .375 | Duplex ¹ | 499252-9 | 1658621-2 |
| | 16.51 | 22.35 | 15.24 | 9.53 | Duplex ² | 499252-9 | 1658622-2 |
| 16 | .750 | .980 | .700 | .425 | Duplex ¹ | 499252-8 | 1658621-3 |
| | 19.05 | 24.89 | 17.78 | 10.80 | Duplex ² | 499252-8 | 1658622-3 |
| 20 | .950 | 1.180 | .900 | .525 | Duplex ¹ | 499252-2 | 1658621-4 |
| | 24.13 | 29.97 | 22.86 | 13.34 | Duplex ² | 499252-2 | 1658622-4 |
| 24 | 1.150 | 1.380 | 1.100 | .625 | Duplex ¹ | 1-499252-0 | 1658621-5 |
| | 29.21 | 35.05 | 27.94 | 15.88 | Duplex ² | 1-499252-0 | 1658622-5 |
| 26 | 1.250 | 1.480 | 1.200 | .675 | Duplex ¹ | 499252-3 | 1658621-6 |
| | 31.75 | 37.59 | 30.48 | 17.15 | Duplex ² | 499252-3 | 1658622-6 |
| 30 | 1.450 | 1.680 | 1.400 | .775 | Duplex ¹ | 1-499252-2 | 1658621-7 |
| | 36.83 | 42.67 | 35.56 | 19.69 | Duplex ² | 1-499252-2 | 1658622-7 |
| 34 | 1.650 | 1.880 | 1.600 | .875 | Duplex ¹ | 499252-6 | 1658621-8 |
| | 41.91 | 47.75 | 40.64 | 22.23 | Duplex ² | 499252-6 | 1658622-8 |
| 40 | 1.950 | 2.180 | 1.900 | 1.025 | Duplex ¹ | 499252-1 | 1658621-9 |
| | 49.53 | 55.37 | 48.26 | 26.04 | Duplex ² | 499252-1 | 1658622-9 |
| 50 | 2.450 | 2.680 | 2.400 | 1.275 | Duplex ¹ | 499252-4 | 1-1658621-0 |
| | 62.23 | 68.07 | 60.96 | 32.39 | Duplex ² | 499252-4 | 1-1658622-0 |
| 60 | 2.950 | 3.180 | 2.900 | 1.525 | Duplex ¹ | 499252-7 | 1-1658621-1 |
| | 74.93 | 80.77 | 73.66 | 38.74 | Duplex ² | 499252-7 | 1-1658622-1 |
| 64 | 3.150 | 3.380 | 3.100 | 1.625 | Duplex ¹ | 1-499252-3 | 1-1658621-2 |
| | 80.01 | 85.85 | 78.74 | 41.28 | Duplex ² | 1-499252-3 | 1-1658622-2 |

1.000015 [0.00038] gold or gold flash over palladium-nickel .000015 [0.00038] min. total on post/pin mating end, .000100-.000200 [0.00254-0.00508] tin on termination end, with entire contact underplated .000050 [0.00127] nickel.
2.000030 [0.00076] gold or gold flash over palladium-nickel .000030 [0.00076] min. total on post/pin mating end, .000100-.000200 [0.00254-0.00508] tin on termination end, with entire contact underplated .000050 [0.00127] nickel.

Note: These receptacles include a housing assembly and cover (preassembled). Strain reliefs may be purchased separately using the component part nos. listed above. All part numbers are RoHS compliant.

**AMP-LATCH Novo Receptacles, Dual Polarized,
.100 x .100 [2.54 x 2.54] Centers**

**Housing Assembly with
Recessed Cover
(Preassembled) and Strain
Relief (Optional)**

Material and Finish

Housing, Cover & Strain Relief —
UL 94V-0 rated thermoplastic, black

Contacts — Phosphor bronze, duplex
plated .000030 [0.00076] gold or gold
flash over palladium-nickel .000030
[0.00076] min. total on post/pin mating
end, .000100-.000200 [0.00254-
0.00508] tin on termination end, with
entire contact underplated .000050
[0.00127] nickel.

Related Product Data

Mateable Pin Headers —
Universal — pages 84-95
Low Profile — pages 76-83
**Mateable Universal I/O Pin
Connectors** — pages 45 and 46

Accessories

Pull Tabs — page 63
Keying Plug — page 64
Pull Loops — page 66
Strain Relief — page 68
Application Tooling — pages 70-74

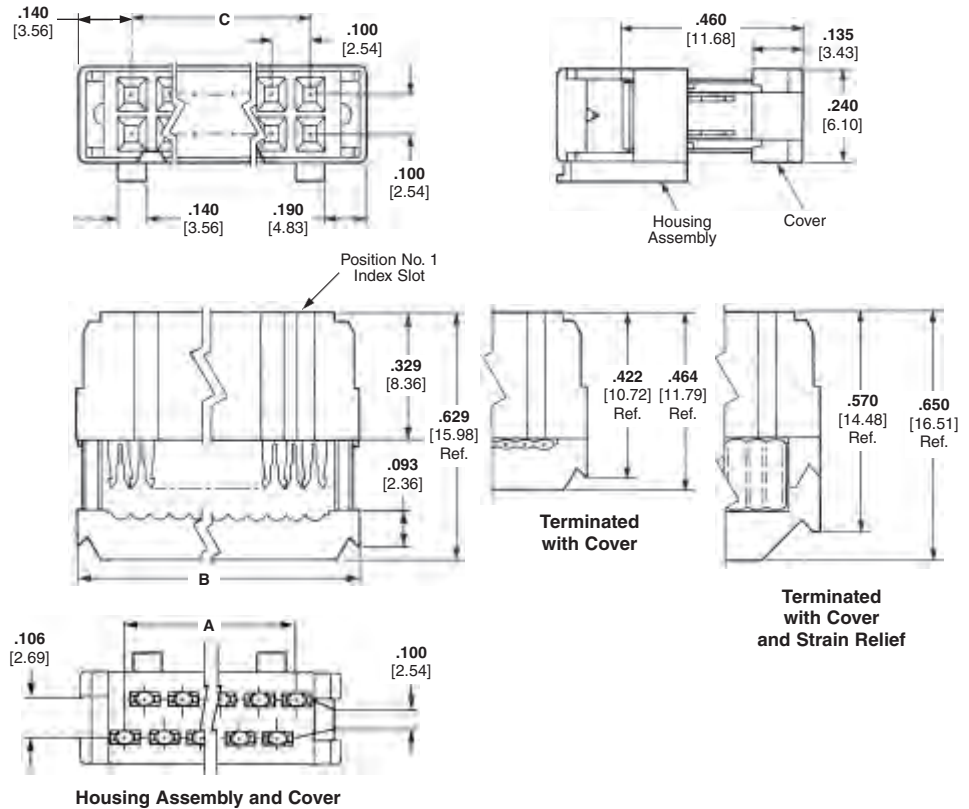
Technical Documents

Product Specifications
108-40000 AMP-LATCH Novo and
AMP-LATCH Novo Stackable
Receptacles; 108-40004 Ribbon Cable,
PVC Insulated

Application Specification
114-40005 AMP-LATCH Novo
Receptacles

Instruction Sheets

Instructional material covering operation,
setup, maintenance, repair, etc. is included
with each machine, tool or die set. If this
material is required prior to receiving
your tooling, call Tyco Electronics at the
numbers listed below for the applicable
documents.



| No. of Pos. | Dimensions | | | Strain Relief Part No. | Receptacle (Preassembled) |
|-------------|----------------|----------------|----------------|------------------------|---------------------------|
| | A | B | C | | |
| 10 | .450 11.43 | .680 17.27 | .400 10.16 | 499252-5 | 1658624-1 |
| 14 | .650 16.51 | .880 22.35 | .600 15.24 | 499252-9 | 1658624-2 |
| 16 | .750 19.05 | .980 24.89 | .700 17.78 | 499252-8 | 1658624-3 |
| 20 | .950 24.13 | 1.180 29.97 | .900 22.86 | 499252-2 | 1658624-4 |
| 24 | 1.150 29.21 | 1.380 35.05 | 1.100 27.94 | 1-499252-0 | 1658624-5 |
| 26 | 1.250 31.75 | 1.480 37.59 | 1.200 30.48 | 499252-3 | 1658624-6 |
| 30 | 1.450 36.83 | 1.680 42.67 | 1.400 35.56 | 1-499252-2 | 1658624-7 |
| 34 | 1.650 41.91 | 1.880 47.75 | 1.600 40.64 | 499252-6 | 1658624-8 |
| 40 | 1.950 49.53 | 2.180 55.37 | 1.900 48.26 | 499252-1 | 1658624-9 |
| 50 | 2.450 62.23 | 2.680 68.07 | 2.400 60.96 | 499252-4 | 1-1658624-0 |
| 64 | 3.150 80.01 | 3.380 85.85 | 3.100 78.74 | 1-499252-3 | 1-1658624-2 |

Note: All part numbers are RoHS compliant.

Female Socket Connectors, .100 x .100 [2.54 x 2.54] Centers, 622 and 636 Series

Technical Data

Color — 622 Series, Blue; 636 Series, Black

Contact Material — 622 Series, Beryllium copper; 636 Series, Phosphor bronze

Contact Plating — 622 Series, .000030 [0.00076] min. gold on mating end, .000100-.000200 [0.00254-0.00508] tin on termination end, both over .000050 [0.00127] nickel underplate; 636 Series, .000015 [0.00038] min. gold on mating end, .000100-.000200 [0.00254-0.00508] tin on termination end, both over .000050 [0.00127] nickel underplate.

Housing Material — Glass-filled thermoplastic, UL 94V-0 rated

Cable — 26-28 AWG solid or stranded, PVC insulated ribbon cable

Mateable Connectors — **Universal and Low Profile Pin Headers** — pages 76-95

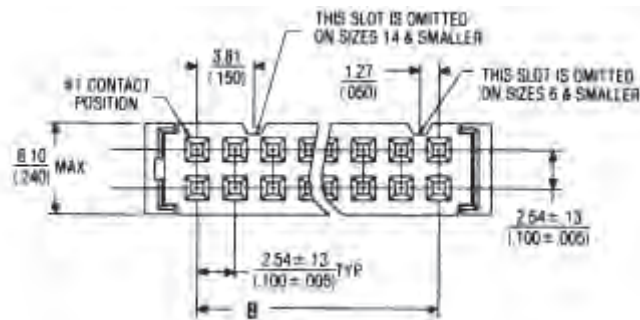
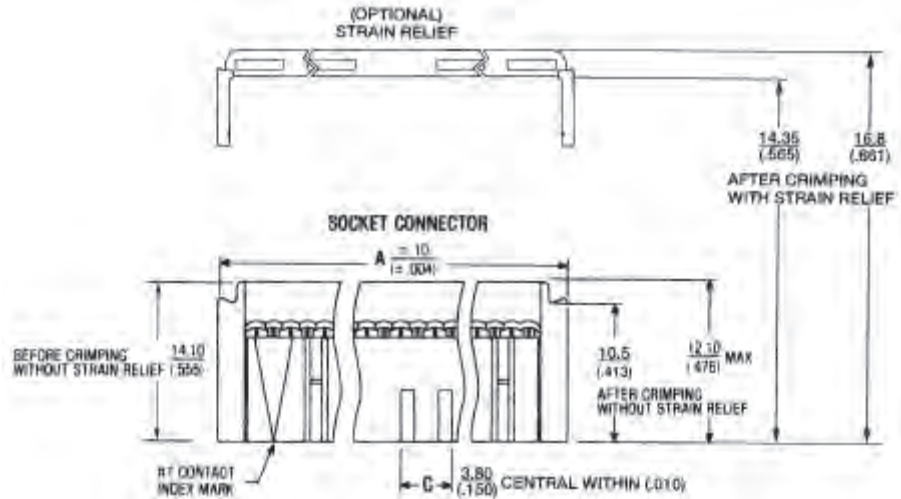
Universal I/O Ribbon Cable Connectors — pages 45 and 46

Polarization — Military and center polarized only

■ **Recognized under the Component Program of the Underwriters Laboratories, Inc.** UL File No. E60980



■ **Certified by the Canadian Standards Association,** File No. LR 92984



Application Tooling

Die — 1437000-9 [T&B# 779-2151 ref.]

Handtool — 1437000-6 [T&B# 779-2100 ref.]

Bench Press (Manual) — 1437001-4 [T&B# 779-3200 ref.]

Bench Press Platen — 5-1437000-6 [T&B# 779-3130 ref.]

Bench Press Base Plate — 6-1437000-4 [T&B# 779-3151 ref.]

Accessories

Strain Relief — page 69

Pull Loops — page 66

Keying Plug — page 64



Female Socket Connectors, .100 x .100 [2.54 x 2.54] Centers, 622 and 636 Series (Continued)

622 Series

| No. of Pos. | Dimensions | | | Part Numbers | | | |
|-------------|----------------|----------------|--------------|------------------|----------------------|----------------------------|----------------------|
| | | | | Connector Only | | Connector w/ Strain Relief | |
| | A | B | C | Tyco Electronics | T&B (Reference Only) | Tyco Electronics | T&B (Reference Only) |
| 6 | .477 12.12 | .200 5.08 | .075 1.91 | 1658527-2 | 622-0630LF | 1-1658527-9 | 622-0641LF |
| 10 | .677 17.20 | .400 10.16 | .126 3.20 | 1658527-3 | 622-1030LF | 1658527-4 | 622-1041LF |
| 12 | .777 19.74 | .500 12.70 | .150 3.81 | 2-1658527-0 | 622-1230LF | — | — |
| 14 | .877 22.28 | .600 15.24 | .150 3.81 | 1658527-5 | 622-1430LF | 2-1658527-2 | 622-1441LF |
| 16 | .977 24.82 | .700 17.78 | .150 3.81 | 1658527-6 | 622-1630LF | 1658527-7 | 622-1641LF |
| 20 | 1.177 29.90 | .900 22.86 | .150 3.81 | 2-1658527-3 | 622-2030LF | 1658527-8 | 622-2041LF |
| 24 | 1.377 34.98 | 1.100 27.94 | .150 3.81 | — | — | 2-1658527-5 | 622-2441LF |
| 26 | 1.477 37.52 | 1.200 30.48 | .150 3.81 | 1658527-9 | 622-2630LF | 1-1658527-0 | 622-2641LF |
| 30 | 1.677 42.60 | 1.400 35.56 | .150 3.81 | — | — | 2-1658527-7 | 622-3041LF |
| 34 | 1.877 47.68 | 1.600 40.64 | .150 3.81 | — | — | 2-1658527-8 | 622-3441LF |
| 40 | 2.177 55.30 | 1.900 48.26 | .150 3.81 | 1-1658527-2 | 622-4030LF | 1-1658527-3 | 622-4041LF |
| 50 | 2.677 68.00 | 2.400 60.96 | .150 3.81 | 1-1658527-4 | 622-5030LF | 1-1658527-5 | 622-5041LF |
| 64 | 3.377 85.78 | 3.100 78.74 | .150 3.81 | — | — | 3-1658527-2 | 622-6441LF |

Note: Order by Tyco Electronics Part Number only. Original non-RoHS compliant T&B number may be determined by dropping the "LF" suffix.

636 Series

| No. of Pos. | Dimensions | | | Part Numbers | | | |
|-------------|----------------|----------------|--------------|------------------|----------------------|----------------------------|----------------------|
| | | | | Connector Only | | Connector w/ Strain Relief | |
| | A | B | C | Tyco Electronics | T&B (Reference Only) | Tyco Electronics | T&B (Reference Only) |
| 6 | .477 12.12 | .200 5.08 | .075 1.91 | 1-1658528-0 | 636-0630LF | — | — |
| 10 | .677 17.20 | .400 10.16 | .126 3.20 | 1-1658528-1 | 636-1030LF | 1658528-2 | 636-1041LF |
| 14 | .877 22.28 | .600 15.24 | .150 3.81 | 1-1658528-2 | 636-1430LF | — | — |
| 16 | .977 24.82 | .700 17.78 | .150 3.81 | 1-1658528-4 | 636-1630LF | 1658528-5 | 636-1641LF |
| 20 | 1.177 29.90 | .900 22.86 | .150 3.81 | 1-1658528-5 | 636-2030LF | 1658528-4 | 636-2041LF |
| 24 | 1.377 34.98 | 1.100 27.94 | .150 3.81 | 1-1658528-6 | 636-2430LF | — | — |
| 26 | 1.477 37.52 | 1.200 30.48 | .150 3.81 | 1-1658528-7 | 636-2630LF | — | — |
| 34 | 1.877 47.68 | 1.600 40.64 | .150 3.81 | — | — | 1658528-6 | 636-3441LF |
| 40 | 2.177 55.30 | 1.900 48.26 | .150 3.81 | — | — | 1-1658528-9 | 636-4041LF |
| 50 | 2.677 68.00 | 2.400 60.96 | .150 3.81 | 2-1658528-0 | 636-5030LF | 1658528-8 | 636-5041LF |
| 64 | 3.377 85.78 | 3.100 78.74 | .150 3.81 | — | — | 2-1658528-3 | 636-6441LF |

Note: All part numbers are RoHS compliant.

Note: Order by Tyco Electronics Part Number only. Original non-RoHS compliant T&B number may be determined by dropping the "LF" suffix.

Female Socket Connectors, .100 x .100 [2.54 x 2.54] Centers, 609 Series

Technical Data

Color — Blue

Contact Material — Beryllium copper

Contact Plating — .000030 [0.00076] min. gold on mating end, .000100-.000200 [0.00254-0.00508] tin on termination end, both over .000050 [0.00127] nickel underplate.

Housing Material — Glass-filled thermoplastic, UL 94V-0 rated

Cable — 28-30 AWG solid or stranded, PVC insulated ribbon cable

Mateable Connectors — Universal and Low Profile Pin Headers — pages 76-95

Universal I/O Ribbon Cable Connectors — pages 45 and 46

Polarization — Military only or military and center polarized

■ **Recognized under the Component Program of the Underwriters Laboratories, Inc.** UL File No. E60980



■ **Certified by the Canadian Standards Association,** File No. LR 92984



Application Tooling

Die — 1437000-9 [T&B# 779-2151 ref.]

Handtool — 1437000-6 [T&B# 779-2100 ref.]

Bench Press (Manual) — 1437001-4 [T&B# 779-3200 ref.]

Bench Press Platen — 5-1437000-6 [T&B# 779-3130 ref.]

Bench Press Base Plate — 6-1437000-4 [T&B# 779-3151 ref.]

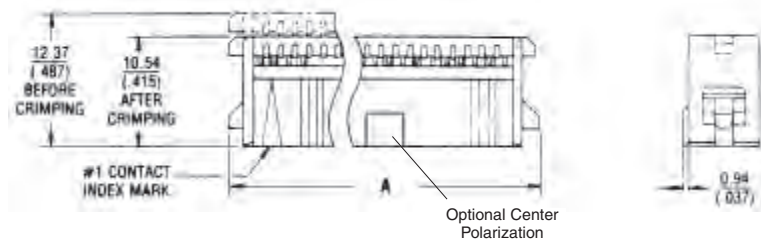
Accessories

Strain Relief — page 67

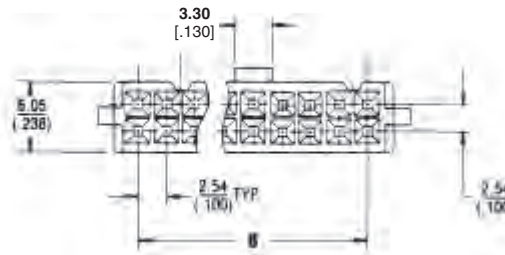
Pull Loops — page 66

Keying Plug — page 64

Dual Slot IDC Design



Standard Socket Connector Without Strain Relief



Note: All part numbers are RoHS compliant.

Female Socket Connectors, .100 x .100 [2.54 x 2.54] Centers, 609 Series (Continued)

609 Series, Military Polarized

| No. of Pos. | Dimensions | | | Part Numbers | | | |
|-------------|----------------|----------------|----------------|------------------|----------------------|----------------------------|----------------------|
| | | | | Connector Only | | Connector w/ Strain Relief | |
| | A | B | C | Tyco Electronics | T&B (Reference Only) | Tyco Electronics | T&B (Reference Only) |
| 6 | .476 12.09 | .200 5.08 | .392 9.96 | 2-1658526-5 | 609-0600MLF | — | — |
| 10 | .676 17.17 | .400 10.16 | .592 15.04 | 1658526-3 | 609-1000MLF | — | — |
| 16 | .976 24.79 | .700 17.78 | .892 22.66 | — | — | 1-1658526-0 | 609-1601MLF |
| 20 | 1.176 29.87 | .900 22.86 | 1.092 27.74 | 3-1658526-0 | 609-2000MLF | — | — |
| 26 | 1.476 37.49 | 1.200 30.48 | 1.392 35.36 | 3-1658526-5 | 609-2600MLF | — | — |
| 40 | 2.176 55.27 | 1.900 48.26 | 2.092 53.14 | 4-1658526-1 | 609-4000MLF | — | — |
| 50 | 2.676 67.97 | 2.400 60.96 | 2.592 65.84 | 4-1658526-3 | 609-5000MLF | 2-1658526-2 | 609-5001MLF |

Note: Order by Tyco Electronics Part Number only. Original non-RoHS compliant T&B number may be determined by dropping the "LF" suffix.

609 Series, Military and Center Polarized

| No. of Pos. | Dimensions | | | Part Numbers | | | |
|-------------|----------------|----------------|----------------|------------------|----------------------|----------------------------|----------------------|
| | | | | Connector Only | | Connector w/ Strain Relief | |
| | A | B | C | Tyco Electronics | T&B (Reference Only) | Tyco Electronics | T&B (Reference Only) |
| 6 | .476 12.09 | .200 5.08 | .392 9.96 | 1658526-1 | 609-0630LF | 1658526-2 | 609-0641LF |
| 10 | .676 17.17 | .400 10.16 | .592 15.04 | 1658526-4 | 609-1030LF | 1658526-5 | 609-1041LF |
| 14 | .876 22.25 | .600 15.24 | .792 20.12 | 1658526-8 | 609-1430LF | 1658526-9 | 609-1441LF |
| 16 | .976 24.79 | .700 17.78 | .892 22.66 | 2-1658526-9 | 609-1630LF | 1-1658526-1 | 609-1641LF |
| 20 | 1.176 29.87 | .900 22.86 | 1.092 27.74 | 1-1658526-2 | 609-2030LF | 1-1658526-3 | 609-2041LF |
| 24 | 1.376 34.95 | 1.100 27.94 | 1.292 32.82 | 1-1658526-4 | 609-2430LF | — | — |
| 26 | 1.476 37.49 | 1.200 30.48 | 1.392 35.36 | 1-1658526-5 | 609-2630LF | 1-1658526-6 | 609-2641LF |
| 34 | 1.876 47.65 | 1.600 40.64 | 1.792 45.52 | 1-1658526-8 | 609-3430LF | 1-1658526-9 | 609-3441LF |
| 36 | 1.976 50.19 | 1.700 43.18 | 1.892 48.06 | 3-1658526-8 | 609-3630LF | 4-1658526-0 | 609-3641LF |
| 40 | 2.176 55.27 | 1.900 48.26 | 2.092 53.14 | 2-1658526-0 | 609-4030LF | 2-1658526-1 | 609-4041LF |
| 50 | 2.676 67.97 | 2.400 60.96 | 2.592 65.84 | 2-1658526-3 | 609-5030LF | 2-1658526-4 | 609-5041LF |
| 64 | 3.376 85.75 | 3.100 78.74 | 3.292 83.62 | 4-1658526-4 | 609-6430LF | 4-1658526-5 | 609-6441LF |

Note: Order by Tyco Electronics Part Number only. Original non-RoHS compliant T&B number may be determined by dropping the "LF" suffix.

Note: All part numbers are RoHS compliant.

DIP Plugs, .100 x .100 [2.54 x 2.54] Centers, 609 Series

Technical Data

Color — Blue

Contact Material — Beryllium copper

Contact Plating — .000100-.000200 [0.00254-0.00508] tin over .000050 [0.00127] nickel underplate.

Contact Design — Dual slot, barrel shaped (“tulip”) IDC with solder tail

Housing Material — Glass-filled thermoplastic, UL 94V-0 rated

Cable — 28-30 AWG solid or stranded, PVC insulated ribbon cable

Mateable Connectors — .100 x .100 DIP sockets

Application Tooling

Die —

1-1437000-3 [T&B# 779-2153 ref.]

Handtool —

1437000-6 [T&B# 779-2100 ref.]

Bench Press (Manual) —

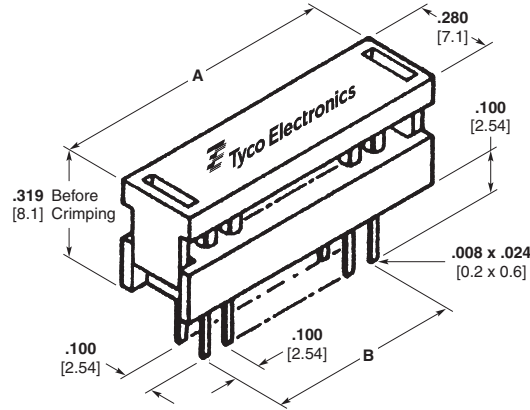
1437001-4 [T&B# 779-3200 ref.]

Bench Press Platen —

5-1437000-6 [T&B# 779-3130 ref.]

Bench Press Base Plate —

6-1437000-7 [T&B# 779-3153 ref.]

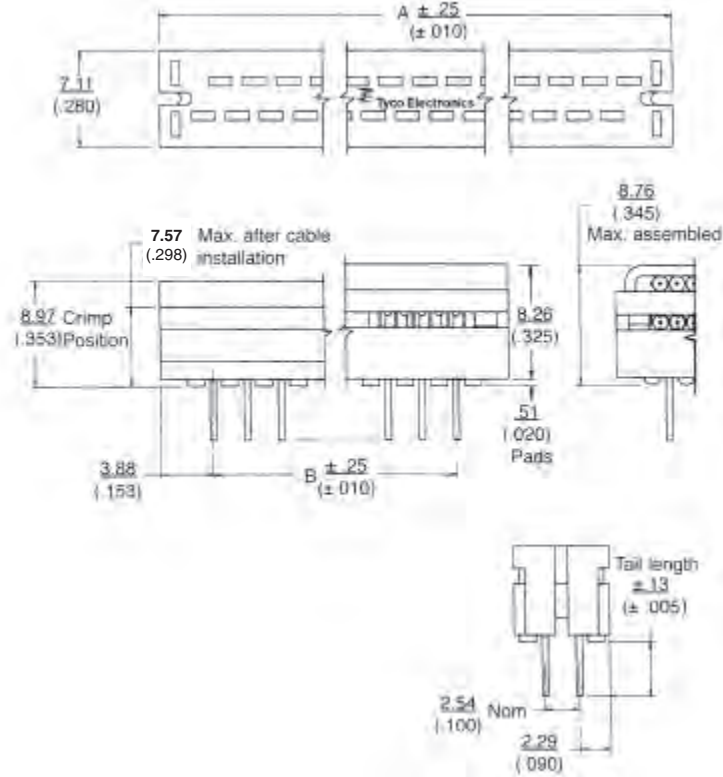


**.050 [1.27] Centerline Ribbon Cable Connectors
DIP Plugs, .100 x .100 [2.54 x 2.54] Centers, 609 Series**

| No. of Pos. | Dimensions | | Part Numbers | |
|-------------|----------------|----------------|------------------|----------------------|
| | A | B | Tyco Electronics | T&B (Reference Only) |
| 6 | .512 13.00 | .200 5.08 | 1437006-4 | 609-0653 |
| 10 | .713 18.11 | .400 10.16 | 1437006-7 | 609-1053 |
| 14 | .913 23.19 | .600 15.24 | 1-1437006-0 | 609-1453 |
| 16 | 1.010 25.65 | .700 17.78 | 1-1437006-3 | 609-1653 |
| 20 | 1.213 30.81 | .900 22.86 | 1-1437006-6 | 609-2053 |
| 26 | 1.512 38.40 | 1.200 30.48 | 2-1437006-1 | 609-2653 |
| 34 | 1.913 48.59 | 1.600 40.64 | 2-1437006-4 | 609-3453 |

Note: Order by Tyco Electronics Part Number only. All part numbers listed above are found on Tyco Electronics customer drawing 1437006-4. All part numbers are RoHS compliant.

DIP Plugs, .100 x .100 [2.54 x 2.54] Centers, 622 Series



Technical Data

- Color** — Blue
- Contact Material** — Beryllium copper
- Contact Plating** — .000100-.000200 [0.00254-0.00508] tin over .000050 [0.00127] nickel underplate.
- Contact Design** — Single slot, flat, tuning fork style IDC with solder tail
- Housing Material** — Glass-filled thermoplastic, UL 94V-0 rated
- Cable** — 26-28 AWG solid or stranded, PVC insulated ribbon cable
- Mateable Connectors** — .100 x .100 DIP sockets

Application Tooling

- Die** — 1-1437000-3 [T&B# 779-2153 ref.]
- Handtool** — 1437000-6 [T&B# 779-2100 ref.]
- Bench Press (Manual)** — 1437001-4 [T&B# 779-3200 ref.]
- Bench Press Platen** — 6-1437000-1 [T&B# 779-3133 ref.]
- Bench Press Base Plate** — 6-1437000-7 [T&B# 779-3153 ref.]

Accessories

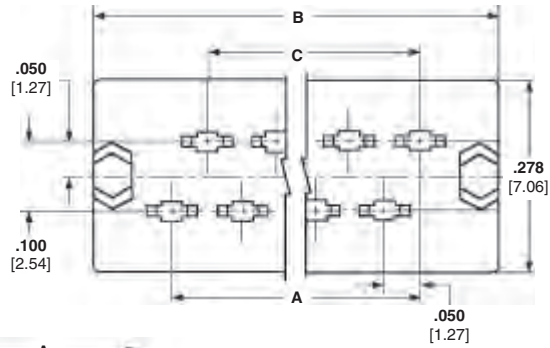
Strain Relief — page 65

| No. of Pos. | Dimensions | | Part Numbers | |
|-------------|----------------|----------------|------------------|----------------------|
| | A | B | Tyco Electronics | T&B (Reference Only) |
| 6 | .506 12.85 | .200 5.08 | 1658525-4 | 622-0653LF |
| 8 | .606 15.39 | .300 7.62 | 1658525-5 | 622-0853LF |
| 10 | .706 17.93 | .400 10.16 | 1658525-6 | 622-1053LF |
| 14 | .906 23.01 | .600 15.24 | 1658525-7 | 622-1453LF |
| 16 | 1.006 25.55 | .700 17.78 | 1658525-8 | 622-1653LF |
| 20 | 1.206 30.63 | .900 22.86 | 1658525-9 | 622-2053LF |
| 24 | 1.406 35.71 | 1.100 27.94 | 1-1658525-0 | 622-2453LF |
| 26 | 1.506 38.25 | 1.200 30.48 | 1658525-1 | 622-2653LF |
| 34 | 1.906 48.41 | 1.600 40.64 | 1658525-2 | 622-3453LF |
| 36 | 2.006 50.95 | 1.700 43.18 | 1-1658525-2 | 622-3653LF |
| 40 | 2.206 56.03 | 1.900 48.26 | 1-1658525-3 | 622-4053LF |
| 50 | 2.706 68.73 | 2.400 60.96 | 1658525-3 | 622-5053LF |
| 60 | 3.206 81.43 | 2.900 73.66 | 1-1658525-5 | 622-6053LF |
| 64 | 3.406 86.51 | 3.100 78.74 | 1-1658525-6 | 622-6453LF |

Notes: Order by Tyco Electronics Part Number only.
All part numbers are RoHS compliant.

DIP Plugs, .100 x .100 [2.54 x 2.54] Centers

Housing Assembly with Cover (Preassembled)

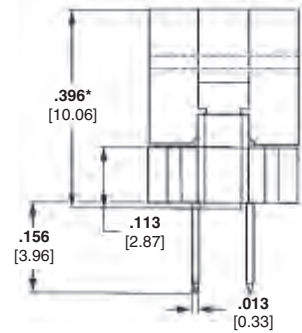
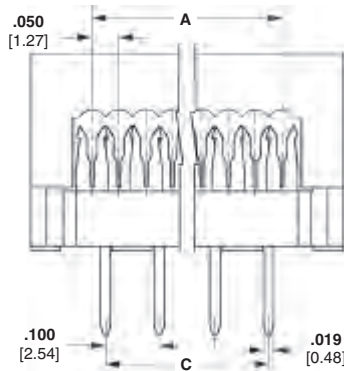


Material and Finish

Housing and Cover — Black thermoplastic, UL 94V-0 rated

Contacts — Phosphor bronze, plated .000005 [0.000127] min. gold in termination area, .000100 [0.00254] min. tin on solder tails, both over .000050 [0.00127] nickel on entire contact

Contact Design — Flat, tuning fork style IDC



*Height of connector after termination is .253 [6.43] ref.

Related Product Data

Application Tooling — pages 70-74

Technical Documents

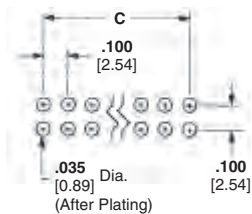
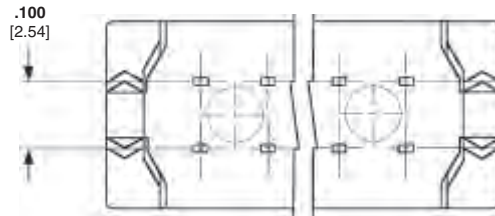
Product Specification

108-1538 DIP Plug

Instruction Sheets

Instructional material covering operation, setup, maintenance, repair, etc. is included with each machine, tool or die set. If this material is required prior to receiving your tooling, call Tyco Electronics at the numbers listed below for the applicable documents.

Mateable Connectors — For Connectors without Retention Legs — .100 x .100 DIP Sockets



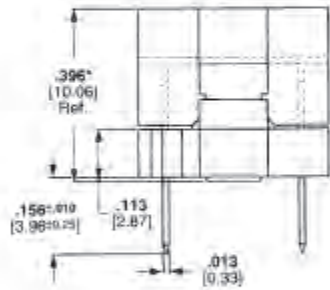
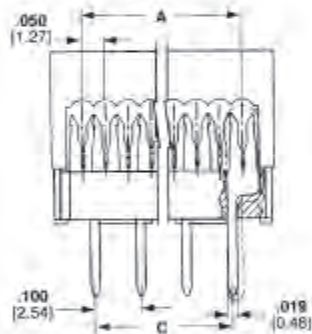
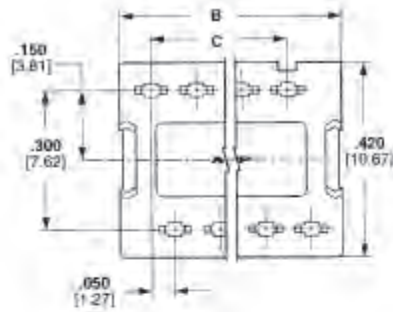
PCB Layout

| No. of Pos. | Dimensions | | | DIP Plugs (Preassembled) | With Retention Legs |
|-------------|----------------|----------------|----------------|--------------------------|---------------------|
| | A | B | C | | |
| 10 | .450 11.43 | .680 17.27 | .400 10.16 | 2-746610-1 | 1-111382-4 |
| 14 | .650 16.51 | .880 22.35 | .600 15.24 | 2-746610-2 | — |
| 16 | .750 19.05 | .980 24.89 | .700 17.78 | 1-746610-4 | 1-111382-6 |
| 20 | .950 24.13 | 1.180 29.97 | .900 22.86 | 1-746610-5 | 1-111382-7 |
| 24 | 1.150 29.21 | 1.380 35.05 | 1.100 27.94 | 2-746610-3 | — |
| 26 | 1.250 31.75 | 1.480 37.59 | 1.200 30.48 | 1-746610-6 | 1-111382-8 |
| 30 | 1.450 36.83 | 1.680 42.67 | 1.400 35.56 | 1-746610-7 | — |
| 34 | 1.650 41.91 | 1.880 47.75 | 1.600 40.64 | 1-746610-8 | 1-111382-9 |
| 40 | 1.950 49.53 | 2.180 55.37 | 1.900 48.26 | 1-746610-9 | — |
| 44 | 2.150 54.61 | 2.380 60.45 | 2.100 53.34 | 2-746610-6 | — |
| 50 | 2.450 62.23 | 2.680 68.07 | 2.400 60.96 | 2-746610-0 | 2-111382-0 |
| 60 | 2.950 74.93 | 3.180 80.77 | 2.900 73.66 | 2-746610-4 | — |
| 64 | 3.150 80.01 | 3.380 85.85 | 3.100 78.74 | 2-746610-5 | — |

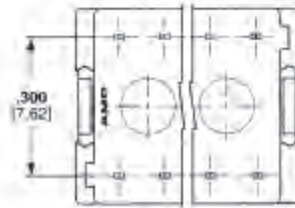
Notes: All plug kits include a housing assembly and cover (preassembled). All part numbers are RoHS compliant.

DIP Plugs, .100 x .300 [2.54 x 7.62] Centers

Housing Assembly with Cover (Preassembled)



*Height of connector after termination is .253 [6.43] rel.



Material and Finish

Housing and Cover — Black thermoplastic, UL 94V-0 rated

Contacts — Phosphor bronze, plated .000050 [0.00127] nickel underplate on entire contact, .000005 [0.000127] min. gold on termination (IDC) end. See table for leg finish.

Contact Design — Flat, tuning fork style IDC

Related Product Data

Application Tooling — pages 70-74

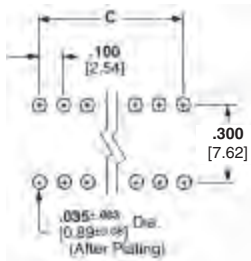
Technical Documents

Product Specification

108-1538 DIP Plug

Ribbon Cable Requirements —

28 AWG stranded or 26, 28 and 30 AWG solid wire



Recommended Mounting Hole Pattern

(for .094-.125 [2.39-3.18] thick pc boards)

| No. of Pos. | Dimensions | | | Contact Plating | DIP Plugs (Preassembled) |
|-------------|------------|-------|-------|---------------------|--------------------------|
| | A | B | C | | |
| 8 | .350 | .488 | .300 | Duplex ¹ | 746611-7 |
| | 8.89 | 12.40 | 7.62 | Duplex ² | — |
| | | | | Duplex ³ | 5746613-1 |
| 14 | .650 | .788 | .600 | Duplex ¹ | 746611-8 |
| | 16.51 | 20.02 | 15.24 | Duplex ² | 5746612-2 |
| | | | | Duplex ³ | 5746613-2 |
| 16 | .750 | .888 | .700 | Duplex ¹ | 746611-6 |
| | 19.05 | 22.56 | 17.78 | Duplex ² | 5746612-3 |
| | | | | Duplex ³ | 5746613-3 |
| 18 | .850 | .988 | .800 | Duplex ¹ | 746611-9 |
| | 21.59 | 25.10 | 20.32 | Duplex ² | — |
| | | | | Duplex ³ | — |
| 20 | .950 | 1.088 | .900 | Duplex ¹ | 1-746611-0 |
| | 24.13 | 27.64 | 22.86 | Duplex ² | — |
| | | | | Duplex ³ | — |

¹ .000030 [0.00076] gold on leg

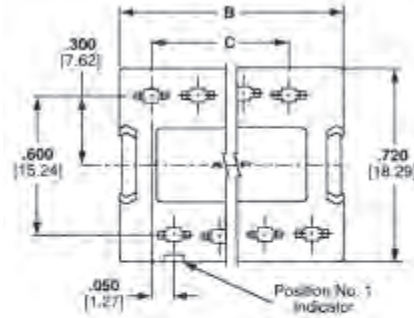
² .000015 [0.00038] gold on leg

³ .000100 [0.00254] tin on leg

Note: All part numbers are RoHS compliant.

DIP Plugs, .100 x .600 [2.54 x 15.24] Centers

Housing Assembly with Cover (Preassembled)

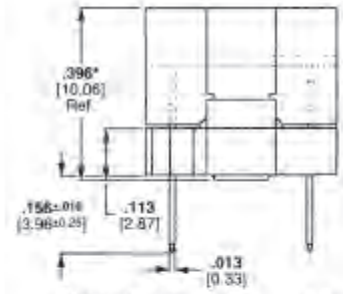
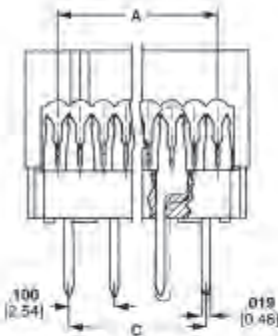


Material and Finish

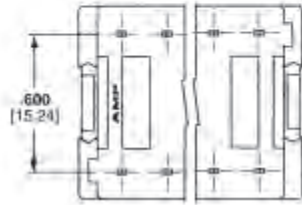
Housing and Cover — Black thermo-plastic, UL 94V-0 rated

Contacts — Phosphor bronze, plated .000050 [0.00127] nickel underplate on entire contact, .000005 [0.000127] min. gold on termination (IDC) end. See table for leg finish.

Contact Design — Flat, tuning fork style IDC



*Height of connector after termination is .253 [6.43] ref.



Related Product Data

Application Tooling — pages 70-74

Technical Documents

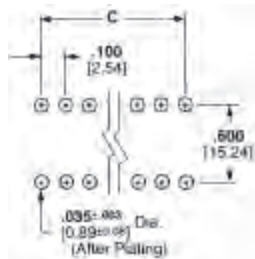
Product Specification
108-1538 DIP Plug

Ribbon Cable Requirements —
28 AWG stranded or 26, 28 and 30 AWG solid wire

**.050 [1.27] Centerline Ribbon Cable Connectors
DIP Plugs, .100 x .600 [2.54 x 15.24] Centers**

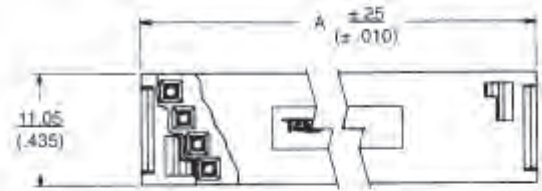
| No. of Pos. | Dimensions | | | Contact Plating | DIP Plugs (Preassembled) |
|-------------|----------------|----------------|----------------|---------------------|--------------------------|
| | A | B | C | | |
| 24 | 1.150 29.21 | 1.288 32.72 | 1.100 27.94 | Duplex ¹ | 5746615-1 |
| 28 | 1.350 34.29 | 1.488 37.80 | 1.300 33.02 | Duplex ¹ | 5746615-2 |
| 40 | 1.950 49.53 | 2.088 53.04 | 1.900 48.26 | Duplex ¹ | 5746615-3 |

¹ .000015 [0.00038] gold on leg
Note: All part numbers are RoHS compliant.



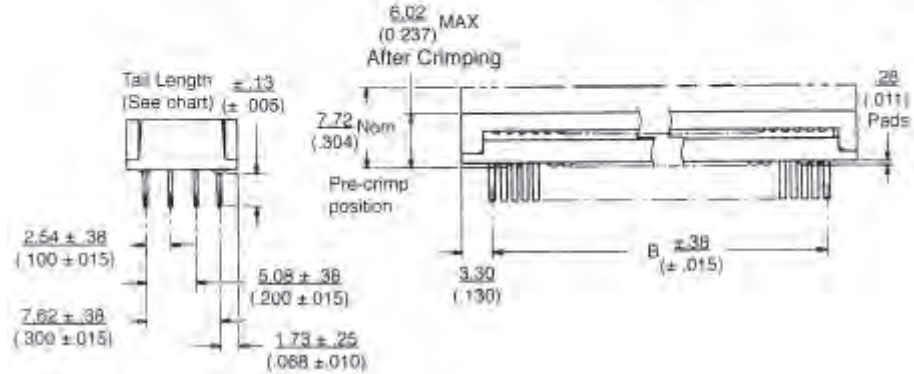
Recommended Mounting Hole Pattern
(for .094-.125 [2.39-3.18] thick pc boards)

4-Row PCB Solder Transition Connectors



Technical Data

- Color** — Blue
- Contact Material** — Beryllium copper
- Contact Plating** — .000100-.000200 [0.00254-0.00508] tin over .000050 [0.00127] nickel underplate.
- Contact Design** — Dual slot, barrel shaped (“tulip”) IDC with solder tail
- Housing Material** — Glass-filled thermoplastic, UL 94V-0 rated
- Cable** — 28-30 AWG solid or stranded, PVC insulated ribbon cable



Application Tooling

- Die** — 1-1437000-3 [T&B# 779-2153 ref]
- Handtool** — 1437000-6 [T&B# 779-2100 ref]
- Bench Press (Manual)** — 1437001-4 [T&B# 779-3200 ref]
- Bench Press Platen** — 5-1437000-6 [T&B# 779-3130 ref]
- Bench Press Base Plate** — 6-1437000-7 [T&B# 779-3153 ref]

609 Series, Military Polarized

| No. of Pos. | Dimensions | | Part Numbers | | | |
|-------------|----------------|----------------|------------------|----------------------|------------------|----------------------|
| | | | .100 Tail Length | | .156 Tail Length | |
| | | | Tyco Electronics | T&B (Reference Only) | Tyco Electronics | T&B (Reference Only) |
| 10 | .710 18.03 | .450 11.43 | 6437006-5 | 609-1003LF | — | — |
| 14 | .910 23.11 | .650 16.51 | 6437006-8 | 609-1403LF | 6437006-9 | 609-1443LF |
| 16 | 1.010 25.65 | .750 19.05 | 1-6437006-1 | 609-1603LF | — | — |
| 20 | 1.210 30.73 | .950 24.13 | — | — | 1-6437006-5 | 609-2043LF |
| 26 | 1.510 38.35 | 1.250 31.75 | 1-6437006-8 | 609-2603LF | 2-6437006-0 | 609-2643LF |
| 34 | 1.910 48.51 | 1.650 41.91 | 2-6437006-2 | 609-3403LF | 2-6437006-3 | 609-3443LF |
| 44 | 2.410 61.21 | 2.150 54.61 | 2-6437006-9 | 609-4403LF | — | — |
| 50 | 2.710 68.83 | 2.450 62.23 | — | — | 3-6437006-2 | 609-5043LF |

Notes: Order by Tyco Electronics Part Number only.
 All part numbers listed above are found on Tyco Electronics Customer Drawing 6437006-5.
 All part numbers are RoHS compliant.

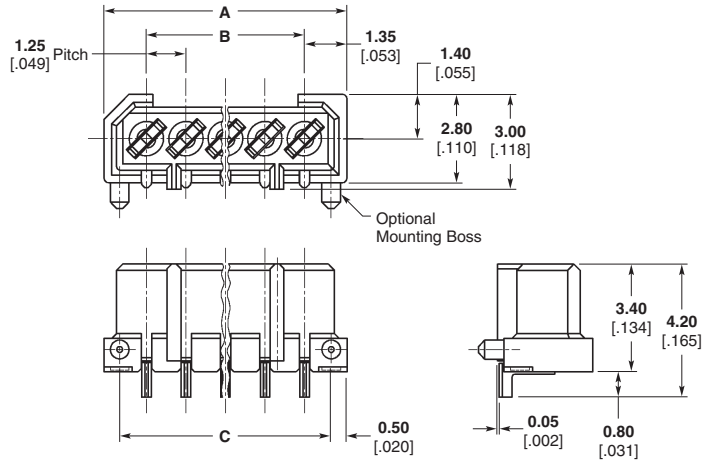
1-Row Horizontal Receptacles



Material and Finish

Housing — Black PPS, UL 94V-0 rated

Contacts — Phosphor bronze, post tin plated over nickel underplate



PCB Mounting Layout

1.25 Fine Pitch (FP) - 1-Row Horizontal Receptacles

| No. of Pos. | Dimensions | | | Part Numbers | | | |
|-------------|----------------|---------------|----------------|----------------------|------------|-------------------------|------------|
| | A | B | C | With Mounting Bosses | | Without Mounting Bosses | |
| | | | | Tape | Bag | Tape | Bag |
| 4 | 6.45 .254 | 3.75 .148 | 5.45 .215 | 3-175637-4 | 3-174638-4 | 3-175629-4 | 3-174903-4 |
| 5 | 7.70 .303 | 5.00 .197 | 6.70 .264 | 3-175637-5 | 3-174638-5 | 3-175629-5 | 3-174903-5 |
| 6 | 8.95 .352 | 6.25 .246 | 7.95 .313 | 3-175637-6 | 3-174638-6 | 3-175629-6 | 3-174903-6 |
| 7 | 10.20 .402 | 7.50 .295 | 9.20 .362 | 3-175637-7 | 3-174638-7 | 3-175629-7 | 3-174903-7 |
| 8 | 11.45 .451 | 8.75 .345 | 10.45 .411 | 3-175637-8 | 3-174638-8 | 3-175629-8 | 3-174903-8 |
| 10 | 13.95 .549 | 11.25 .443 | 12.95 .510 | 4-175637-0 | 4-174638-0 | 4-175629-0 | 4-174903-0 |
| 17 | 22.70 .894 | 20.00 .787 | 21.70 .854 | — | 4-174638-7 | 4-175629-7 | 4-174903-7 |
| 20 | 26.45 1.041 | 23.75 .935 | 25.45 1.002 | — | 5-174638-0 | — | 5-174903-0 |

2.35 Slot Key

.050 [1.27] Centerline Ribbon Cable Connectors
1-Row Horizontal Receptacles

Accessories

Flexible Pull Tabs

Material and Finish

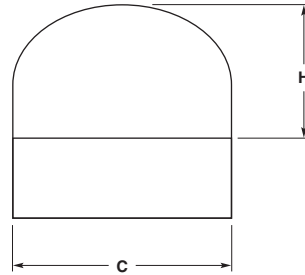
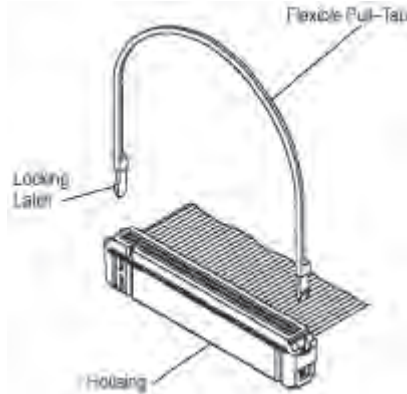
Nylon, black

Part Number 120623-1

Related Product Data

AMP-LATCH Novo Connectors — pages 48-51

Ultra ATA compliant Bus Connectors — pages 13-15



Approximate Installed Height of Part Number 120623-1 Above Connector

| No. of Positions | Dimensions | |
|------------------|----------------|----------------|
| | C | H |
| 10 | .680 17.27 | 1.806 45.87 |
| 14 | .880 22.35 | 1.749 44.42 |
| 16 | .980 24.89 | 1.721 43.71 |
| 20 | 1.180 29.97 | 1.664 42.27 |
| 24 | 1.380 35.05 | 1.607 40.82 |
| 26 | 1.480 37.59 | 1.578 40.08 |
| 30 | 1.680 42.67 | 1.521 38.63 |
| 34 | 1.880 47.75 | 1.464 37.19 |
| 36 | 1.980 50.29 | 1.436 36.47 |
| 40 | 2.180 55.37 | 1.379 35.03 |
| 44 | 2.380 60.45 | 1.322 33.58 |
| 50 | 2.680 68.07 | 1.236 31.39 |
| 60 | 3.180 80.77 | 1.094 27.79 |
| 64 | 3.380 85.85 | 1.037 26.34 |

Note: Cannot be used together with a strain relief.

Universal I/O Latches

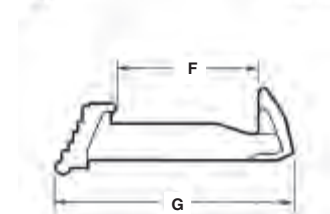
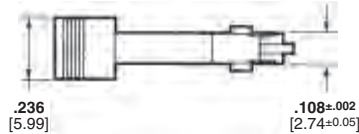
Material and Finish

Polyester, black

Related Product Data

Universal I/O Pin Connectors — pages 45 and 46

Latch Removal Tool
Part Number 91269-1



| Mates to Receptacles | Dimensions | | Part Number |
|-----------------------|---------------|---------------|-------------|
| | F | G | |
| Without Strain Relief | .416 10.57 | .768 19.51 | 111451-1 |
| With Strain Relief | .576 14.63 | .928 23.57 | 111451-3 |

Note: All part numbers are RoHS compliant.

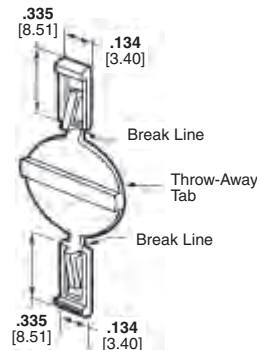
Military Polarizers

Material and Finish

Thermoplastic, black

Related Product Data

Universal I/O Pin Connectors — pages 45 and 46



Part Numbers:

- 499991-2** (packaged, 50 per bag)
- 499991-3** (packaged, 1000 per box)

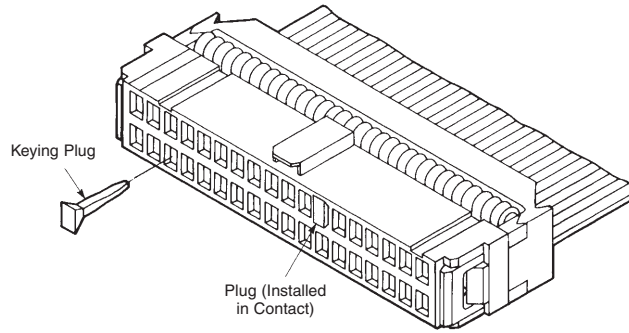
The snap-in polarizer provides military polarization.

Accessories (Continued)

Keying Plugs

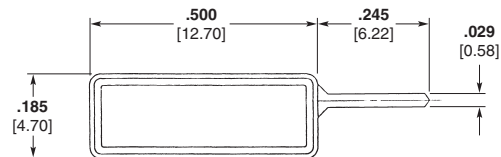
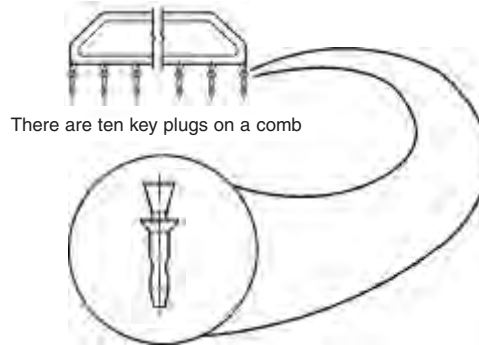
Material and Finish

Thermoplastic, see table for color



Typical Application

Key Plug 111620-1



**Polarizing Key
1-1437023-2**

| Receptacle Connector Series | Catalog Pages | Keying Plug Part Number | Style | Color |
|-------------------------------------|---------------|------------------------------------|--------|-------|
| 2 mm Rcpt. Connectors | 16, 17 | 111620-1 | Comb | Black |
| 609 Series Female Socket Connectors | 54, 55 | 1-1437023-2 T&B 609-0000 (Ref.) | Single | Blue |
| 622 Series Female Socket Connectors | 52, 53 | 1-1437023-2 T&B 609-0000 (Ref.) | Single | Blue |
| 636 Series Female Socket Connectors | 52, 53 | 1-1437023-2 T&B 609-0000 (Ref.) | Single | Blue |

Order by Tyco Electronics Part Number only.
Note: All part numbers are RoHS compliant.

Accessories (Continued)

Keying Plugs (Continued)

Material and Finish

Thermoplastic, see table for color

Part Number 499712-1



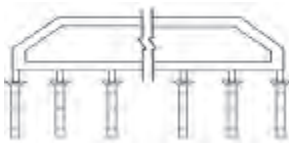
Key Plug
(Plugs into Contact)

| Receptacle Connector Series | Catalog Pages | Keying Plug Part Number | Style | Color |
|-----------------------------|---------------|-------------------------|--------|-------|
| Novo Connectors | 48-51 | 499712-1 | Single | Black |
| | | 104072-1 | Comb | |
| Ultra ATA Bus Connectors | 13-15 | 499712-1 | Single | Black |
| | | 104072-1 | Comb | |

Order by Tyco Electronics Part Number only.

Note: All part numbers are RoHS compliant.

Alternate Configuration
Keying Plug Part No. 104072-1
(10 Keying Plugs per Comb)



Accessories (Continued)

**Pull Loops, Permanent
(for Receptacles and
Pin Connectors)**

Material and Finish

Natural color PVC, 94-VTM-1 rating
(thin material)

Related Product Data

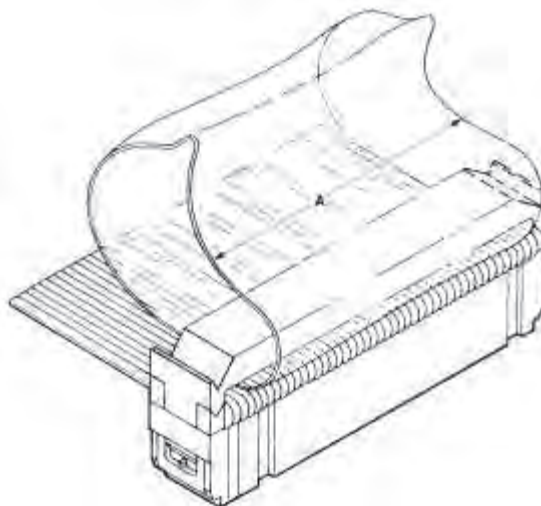
Use with:

Female Socket Connectors —
pages 52-55

**Ultra ATA Compliant Bus
Connectors** —
pages 13-15

2 mm Receptacle Connectors —
pages 16 and 17

AMP-LATCH Novo Connectors —
pages 48-51



Note: This pull loop is installed manually between the cover and strain relief, and cannot be used without strain relief.

| Female Socket Conns. | No. of Positions | | | Dimension A | Pull Loop Part No. |
|-------------------------|--------------------------------------|----------------------|--------------------------|----------------|-----------------------|
| | Ultra ATA Compliant Bus Connector | 2 mm Rcpt. Conns. | AMP-LATCH Novo Conns. | | |
| 10 | — | 12, 14, 16 | 10 | .44 11.18 | 5088450-2 |
| 14 | — | 20 | 14 | .64 16.26 | 5088450-3 |
| 16 | — | 22 | 16 | .74 18.80 | 5088450-4 |
| 20 | — | 24, 26 | 20 | .88 22.35 | 5088450-5 |
| 24 | — | — | 24 | 1.08 27.43 | 5088450-6 |
| 26 | — | 30, 34, 40 | 26 | 1.18 29.97 | 5088450-7 |
| 30 | — | — | 30 | 1.38 35.05 | 1-5088450-2 |
| 34 | — | 44 | 34 | 1.58 40.13 | 5088450-8 |
| 40 | 40 | 50 | 40 | 1.82 46.23 | 5088450-9 |
| 50 | — | — | 50 | 2.32 58.93 | 1-5088450-0 |
| 60 | — | — | 60 | 2.80 71.12 | 1-5088450-1 |

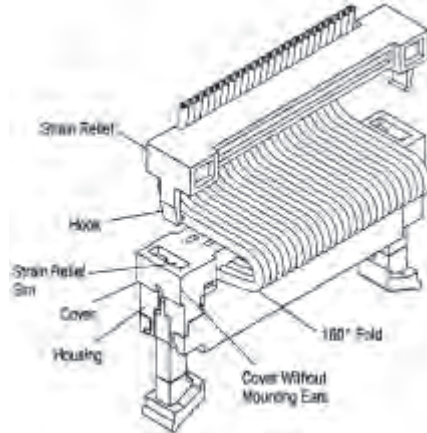
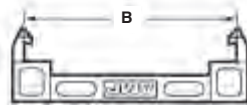
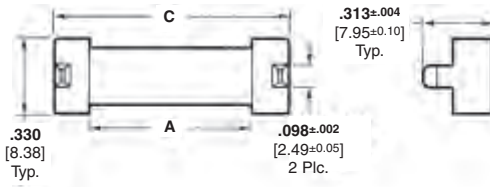
Note: All part numbers are RoHS compliant.

Accessories (Continued)

Strain Relief for Universal I/O Pin Connectors Without Mounting Ears

Material and Finish
Glass-filled polyester, black

Related Product Data
Universal I/O Pin Connectors —
page 45

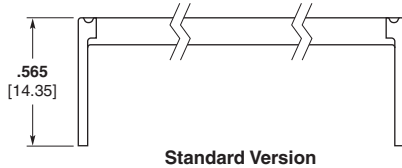
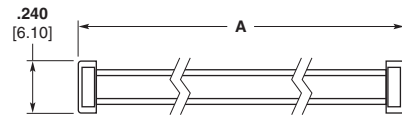


| No. of Pos. | Dimensions | | | Part Number |
|-------------|----------------|----------------|----------------|-------------|
| | A | B | C | |
| 10 | .520 13.21 | .766 19.46 | .940 23.88 | 111547-1 |
| 14 | .720 18.29 | .966 24.54 | 1.140 28.96 | 111547-2 |
| 16 | .820 20.83 | 1.066 27.08 | 1.240 31.50 | 111547-3 |
| 20 | 1.020 25.91 | 1.266 32.16 | 1.440 36.58 | 111547-4 |
| 24 | 1.220 30.99 | 1.466 37.24 | 1.640 41.66 | 111547-5 |
| 26 | 1.320 33.53 | 1.566 39.78 | 1.740 44.20 | 111547-6 |
| 30 | 1.520 38.61 | 1.766 44.86 | 1.940 49.28 | 111547-7 |
| 34 | 1.720 43.69 | 1.966 49.94 | 2.140 54.36 | 111547-8 |
| 40 | 2.020 51.31 | 2.266 57.56 | 2.440 61.98 | 111547-9 |
| 44 | 2.220 56.39 | 2.466 62.64 | 2.640 67.06 | 1-111547-0 |
| 50 | 2.520 64.01 | 2.766 70.26 | 2.940 74.68 | 1-111547-1 |
| 60 | 3.020 76.71 | 3.266 82.96 | 3.440 87.38 | 1-111547-2 |
| 64 | 3.220 81.79 | 3.466 88.04 | 3.640 92.56 | 1-111547-3 |

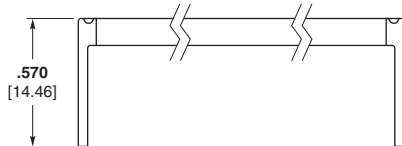
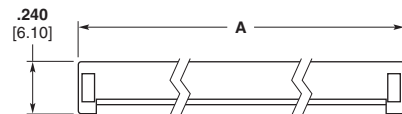
Strain Relief for 609 Series (Tulip Contact) Female Socket Connectors

Material and Finish
Glass-filled polyester, blue

Related Product Data
Female Socket Connectors —
page 54 and 55



Standard Version



Heavy Duty Version

| No. of Pos. | Dimension A | Type | Part Number | |
|-------------|----------------|------------|------------------|-----------------|
| | | | Tyco Electronics | T&B (Ref. Only) |
| 6 | .472 11.99 | Standard | 2-1437020-1 | 609-0631 |
| 10 | .672 17.07 | Heavy Duty | 3-1437020-7 | 609-1031HD |
| | | Standard | 3-1437020-5 | 609-1031 |
| 14 | .872 22.15 | Heavy Duty | 5-1437020-1 | 609-1431HD |
| | | Standard | 4-1437020-9 | 609-1431 |
| 16 | .972 24.69 | Heavy Duty | 6-1437020-6 | 609-1631HD |
| | | Standard | 6-1437020-4 | 609-1631 |
| 20 | 1.172 29.77 | Heavy Duty | 8-1437020-6 | 609-2031HD |
| | | Standard | 8-1437020-4 | 609-2031 |
| 24 | 1.372 34.85 | Standard | 9-1437020-4 | 609-2431 |
| 26 | 1.472 37.39 | Heavy Duty | 1-1437021-2 | 609-2631HD |
| | | Standard | 1-1437021-0 | 609-2631 |
| 34 | 1.872 47.55 | Heavy Duty | 3-1437021-2 | 609-3431HD |
| | | Standard | 3-1437021-0 | 609-3431 |
| 40 | 2.172 55.17 | Heavy Duty | 5-1437021-5 | 609-4031HD |
| | | Standard | 5-1437021-3 | 609-4031 |
| 50 | 2.672 67.87 | Heavy Duty | 8-1437021-1 | 609-5031HD |
| | | Standard | 7-1437021-9 | 609-5031 |
| 64 | 3.372 85.65 | Heavy Duty | 1-1437022-3 | 609-6431HD |

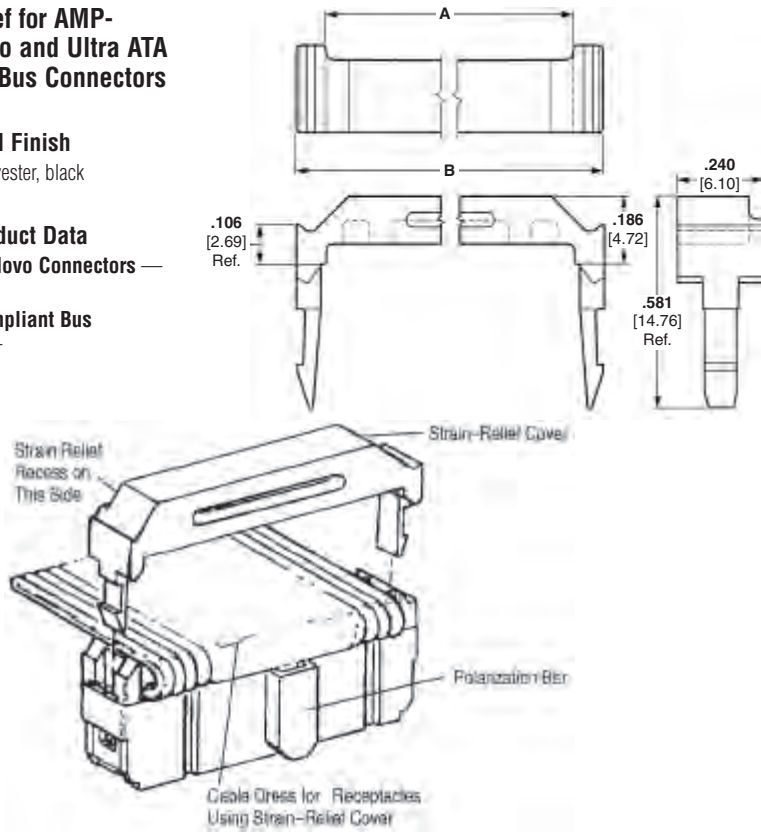
Note: Heavy duty part numbers are listed on Tyco Electronics customer drawing 3-1437020-7. Standard part numbers are listed on Tyco Electronics customer drawing 2-1437020-1. All part numbers are RoHS compliant.

Accessories (Continued)

Strain Relief for AMP-LATCH Novo and Ultra ATA Compliant Bus Connectors

Material and Finish
Glass-filled polyester, black

Related Product Data
AMP-LATCH Novo Connectors — pages 48-51
Ultra ATA Compliant Bus Connectors — pages 13-15



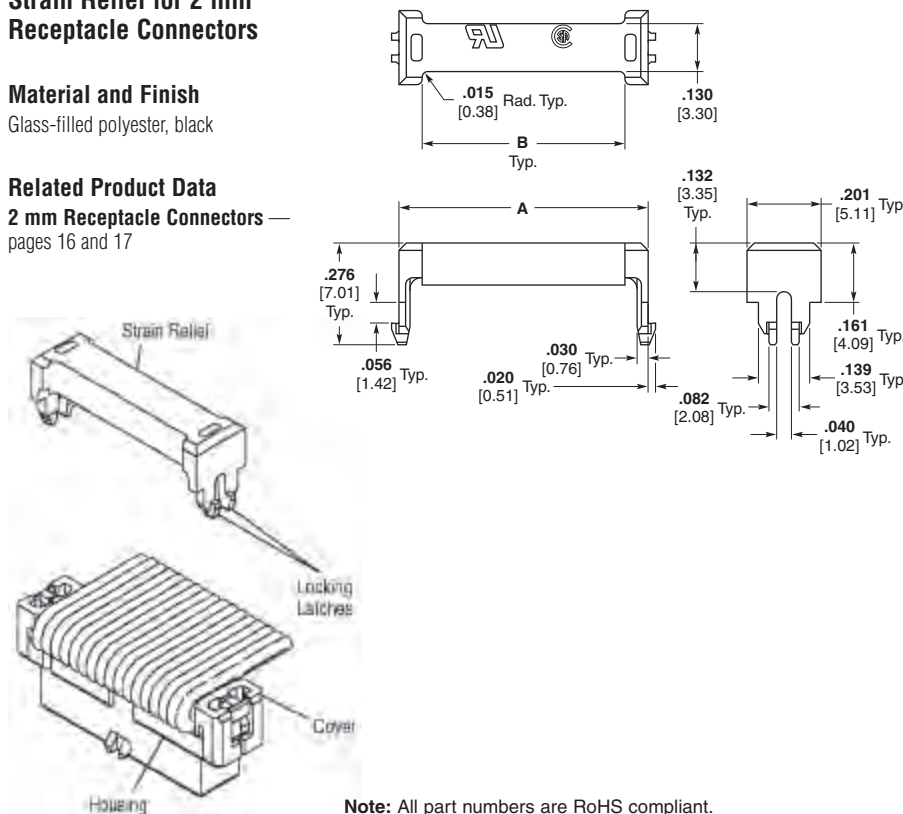
| No. of Pos. | Dimensions | | Part Number |
|-------------|----------------|----------------|-------------|
| | A | B | |
| 10 | .534 13.56 | .690 17.53 | 499252-5 |
| 14 | .734 18.64 | .890 22.61 | 499252-9 |
| 16 | .834 21.18 | .990 25.15 | 499252-8 |
| 20 | 1.034 26.26 | 1.190 30.23 | 499252-2 |
| 24 | 1.234 31.34 | 1.390 35.31 | 1-499252-0 |
| 26 | 1.334 33.88 | 1.490 37.85 | 499252-3 |
| 30 | 1.534 38.96 | 1.690 42.93 | 1-499252-2 |
| 34 | 1.734 44.04 | 1.890 48.01 | 499252-6 |
| 40 | 2.034 51.66 | 2.190 55.63 | 499252-1* |
| 44 | 2.234 56.74 | 2.390 60.71 | 1-499252-1 |
| 50 | 2.534 64.36 | 2.690 68.33 | 499252-4 |
| 60 | 3.034 77.06 | 3.190 81.03 | 499252-7 |
| 64 | 3.234 82.14 | 3.390 86.11 | 1-499252-3 |

*Ultra ATA Compliant Strain Relief is 499252-1 only.

Strain Relief for 2 mm Receptacle Connectors

Material and Finish
Glass-filled polyester, black

Related Product Data
2 mm Receptacle Connectors — pages 16 and 17



| No. of Pos. | Dimensions | | Part Number |
|-------------|----------------|----------------|-------------|
| | A | B | |
| 8 | .440 11.18 | .314 7.98 | 1-111614-6 |
| 10 | .518 13.16 | .392 9.96 | 111614-1 |
| 12 | .596 15.14 | .470 11.94 | 1-111614-7 |
| 14 | .676 17.17 | .550 13.97 | 111614-2 |
| 16 | .755 19.18 | .629 15.98 | 111614-3 |
| 20 | .912 23.16 | .786 19.96 | 111614-4 |
| 22 | .991 25.17 | .865 21.97 | 1-111614-5 |
| 24 | 1.070 27.18 | .944 23.98 | 111614-5 |
| 26 | 1.148 29.16 | 1.022 25.96 | 111614-6 |
| 30 | 1.306 33.17 | 1.180 29.97 | 111614-7 |
| 34 | 1.463 37.16 | 1.337 33.96 | 111614-8 |
| 40 | 1.700 43.18 | 1.574 39.98 | 111614-9 |
| 44 | 1.857 47.17 | 1.731 43.97 | 1-111614-0 |
| 50 | 2.093 53.16 | 1.967 49.96 | 1-111614-1 |

Note: All part numbers are RoHS compliant.

Accessories (Continued)

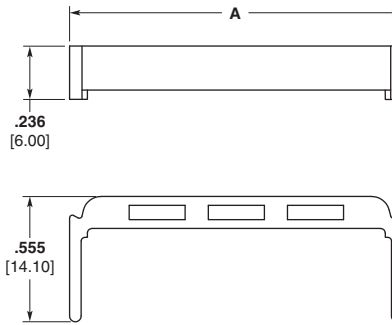
Strain Relief for 622 and 636 Series Female Socket Connectors

Material and Finish

Glass-filled PBT, see table for color

Related Product Data

Female Socket Connectors —
pages 52 and 53



| No. of Pos. | Dimension C | Color | Part Number | |
|-------------|----------------|-------|------------------|-----------------|
| | | | Tyco Electronics | T&B (Ref. Only) |
| 6 | .477 12.12 | Blue | 2-1437023-9 | 622-0631 |
| | | Black | 1-1437026-9 | 636-0631 |
| 10 | .677 17.20 | Blue | 4-1437023-7 | 622-1031 |
| | | Black | 3-1437026-9 | 636-1031 |
| 14 | .877 22.28 | Blue | 7-1437023-1 | 622-1431 |
| | | Black | 6-1437026-6 | 636-1431 |
| 16 | .977 24.82 | Blue | 8-1437023-9 | 622-1631 |
| | | Black | 8-1437026-5 | 636-1631 |
| 20 | 1.177 29.90 | Blue | 1437024-5 | 622-2031 |
| | | Black | 1437027-7 | 636-2031 |
| 24 | 1.377 34.98 | Blue | 1-1437024-6 | 622-2431 |
| | | Black | 5-1437011-3 | 636-2431 |
| 26 | 1.477 37.52 | Blue | 2-1437024-8 | 622-2631 |
| | | Black | 3-1437027-4 | 636-2631 |
| 30 | 1.677 42.60 | Blue | 4-1437024-0 | 622-3031 |
| | | Black | 6-1437011-6 | 636-3031 |
| 34 | 1.877 47.68 | Blue | 5-1437024-3 | 622-3431 |
| | | Black | 8-1437027-0 | 636-3431 |
| 40 | 2.177 55.30 | Blue | 8-1437024-3 | 622-4031 |
| | | Black | 3-1437028-4 | 636-4031 |
| 50 | 2.677 68.00 | Blue | 1-1437025-2 | 622-5031 |
| | | Black | 6-1437028-8 | 636-5031 |
| 60 | 3.177 80.70 | Black | 9-1437028-5 | 636-6031 |
| 64 | 3.377 85.78 | Blue | 4-1437025-0 | 622-6431 |
| | | Black | 1437029-2 | 636-6431 |

Note: These part numbers are listed on Tyco Electronics customer drawing 1-1437026-9.
All part numbers are RoHS compliant.

Ribbon Cable Assembly Machines (R-CAM)

Product Facts

- Terminates 28 AWG [0.08 mm²] .050 [1.27] centerline and 30 AWG [0.05 mm²] .025 [0.64] centerline cable to a variety of connectors
- Automatic in-process electrical testing — tests all circuits for opens, shorts and high-voltage breakdown (up to 1,000 volts for receptacles, 800 volts for card edge connectors and 300 volts for .025 [0.64] centerline connectors); rejects cable assemblies failing any of these tests
- Operated by a user-friendly, interactive touchscreen — or a keyboard on the R-CAM 4
- Self-diagnostics shut down the machine when a malfunction occurs, pinpoint the malfunction, and identify it on the screen
- Produced under a Quality Management System certified to ISO 9001

A copy of the certificate is available upon request.



The R-CAM 4, pictured above, is the newest fully automatic Ribbon Cable Assembly Machine for producing and testing daisy-chained ribbon cable assemblies. Enhancements of this model include the capability to process pre-manufactured slit-and-twist cable and the ability to produce assemblies with up to 10 connectors.

The R-CAM 2A, 3A, and 4 terminate 28 AWG [0.08 mm²], .050 [1.27] centerline cable to a variety of connectors. The R-CAM 4 will also terminate 30 AWG [0.05 mm²] .025 [0.64] centerline cable.

All of the R-CAM models automatically perform an in-process electrical test of all circuits for opens and shorts. In addition, all models automatically test the assembly for high-voltage breakdown up to 1,000 volts, depending on the

machine and connector style. The purpose of this test is to detect gaps that may have been created during assembly that could eventually short out when in use. If an assembly fails any of these tests, the machine will shear the cable off at that point and automatically discard it into an alternate bin.

These machines are programmed and operated with an interactive touchscreen that allows operators to access manual, set-up, run, and edit modes through easy-to-follow menu-driven prompts.

Self-diagnostics shut down the machine if a malfunction — such as misloaded connectors or incorrectly fed cable — is detected, pinpoint the malfunction, and identify it on the touchscreen.

Models 2A and 3A are available in 120 or 220 VAC,

8 A, 50 or 60 Hz. Model 4 operates at 120 or 220 VAC, 50-60 Hz, single phase, 15A.

The R-CAM 2A and 3A require a minimum air supply of 80 psi [5.52 bar] at 8 scfm [0.0038m³/s]. The R-CAM 4 requires 80 psi [5.52 bar] at 12 scfm [0.0057 m³/s].

Need more information?

For more information, specifically about tooling, call Tyco Electronics at the numbers listed below.

Comparison of R-CAM 2A, R-CAM 3A and R-CAM 4



| Machine Model | R-CAM 2A | R-CAM 3A | R-CAM 4 |
|--|--|---|--|
| Part Number* | 760700-□ | 761900-□ | 318800-□ |
| Cable Size | 28 AWG [0.08 mm ²], .050 [1.27] centerline | 28 AWG [0.08 mm ²], .050 [1.27] centerline | 28 AWG [0.08 mm ²], .050 [1.27] centerline and 30 AWG [0.05 mm ²], .025 [0.64] centerline |
| Cable Assembly Configurations (Refer to page 73) | Maximum cable length of 48 [1 220] | Maximum cable length of 105 [2 665] | Maximum cable length of 100 [2 540] |
| | Produces one- to four-connector assemblies with unterminated tail lengths up to 12 [305] | Produces one- or two-connector assemblies with unterminated tail lengths up to 24 [610] | Produces one- to 10-connector assemblies with unterminated tail lengths up to 24 [610] |
| | Trailing connectors can be oriented up or down | Trailing connectors can be oriented up or down | Trailing connectors can be oriented up or down |
| | — | — | Automatically processes and tests assemblies produced with pre-manufactured slit-and-twist cable |
| Production Rates (Refer to page 72) | Depending on cable lengths, can apply and test up to 1 670 connectors per hour | Depending on cable lengths, can apply and test up to 2 000 connectors per hour | Depending on cable lengths, can apply and test up to 1 050 connectors per hour |
| Size | 108 [2 745] W x 54 [1 370] D x 60 [1 525] H; 750 lb [340 kg] | 48 [1 220] W x 48 [1 220] D x 62 [1 575] H; 630 lb [286 kg] | 68 [1 730] W x 58 [1 475] D x 72 [1 830] H; 1 300 lb [590 kg] |
| Programmable | Operated and programmed by a touchscreen | Operated and programmed by a touchscreen | Operated and programmed by a touchscreen or a keyboard |
| | Parameters for up to 130 cable assemblies can be retained in memory | Parameters for up to 150 cable assemblies can be retained in memory | Parameters for up to 1 000 cable assemblies can be retained in memory |
| | Another menu displays production totals or a log of the machine events | Another menu displays production totals or a log of the machine events | — |
| Testing | Automatically stops after each or three consecutive assemblies are rejected, as programmed by the operator | Automatically stops when either a consecutive number of assemblies or a percentage of the batch run are rejected, as programmed by the operator | Automatically stops each time a malfunction is detected |
| Changeover | Requires an average of 25 minutes, depending on assembly size | Requires an average of 15 minutes, depending on assembly size | Requires an average of 20 minutes to 1 hour, depending on assembly size and type |

*Note: Machine may require accessories. Before ordering, contact Tyco Electronics at the numbers listed below.

Typical Production Rates (Assemblies/Hour)

| Machine Model | Connectors Per Assembly | Length | | | | |
|---------------|-------------------------|---------|---------|----------|------------|-------------|
| | | 4 [100] | 8 [205] | 24 [160] | 48 [1 220] | 100 [2 540] |
| R-CAM 2A | 1 | 665 | 620 | — | — | — |
| | 2 | 570 | 500 | 405 | 300 | — |
| | 3 | 475 | 460 | 375 | 280 | — |
| | 4 | — | 420 | 360 | 255 | — |
| R-CAM 3A | 2 | 1 075 | 950 | 780 | 660 | 500 |
| | 4 | — | 275 | 265 | 255 | — |
| R-CAM 4 | 5 | — | 205 | 200 | 190 | — |
| | 6 | — | 170 | 165 | 160 | — |
| | 10 | — | — | — | 115 | 105 |

Note: Actual production rates may vary depending on the cable assembly configuration.

Available Tooling

Note: Call Tyco Electronics at the numbers listed below for part numbers or availability.

| Tooling for Connectors | Number of Positions | | |
|-------------------------------------|---------------------|---------------------|--------------------------------------|
| | R-CAM 2A | R-CAM 3A | R-CAM 4 ⁱⁱ |
| AMP-LATCH Ultra Novo Receptacles | — | — | — 40 |
| AMPLIMITE .050 Series Connectors | — | — | 68 |
| AMPLIMITE HDF-20 D-Sub. Plugs | 15, 25, 37 | 9, 15, 25, 37 | 68 and 80 (Lead and Trail Modules) |
| AMPLIMITE HDF-20 D-Sub. Receptacles | — | — | 68 and 80 (Lead Module Only) |
| .100 x .100 DIP Plugs | One End Only, 20–64 | One End Only, 10–64 | Available in future |
| Card Edge Connectors* | 20–64 | 10–64 | 20–50 (10–64 Available in future) |
| AMP-LATCH Novo Receptacles* | 20–64 | 10–64 | 10–64 |
| 2 mm Receptacles | — | 12–50 | — |
| Universal I/O Pin Connectors | One End Only, 20–64 | — | Trail Module Only |

* Supplied with the R-CAM 2A and R-CAM 3A only.

ⁱ Reel fed version.

ⁱⁱ Order Connector Specific Tooling Packages / Feed Shear Tooling separately.

Products Applied



AMPLIMITE HDF-20 D-Sub. Plugs



AMPLIMITE HDF-20 D-Sub. Receptacles



.100 x .100 DIP Plugs



Card Edge Connectors



AMP-LATCH Novo Receptacles



2 mm Receptacles



Universal I/O Pin Connectors

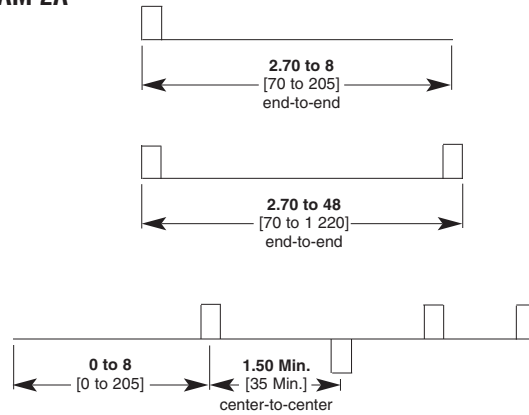


Pre-manufactured Slit-and-Twist Cable (R-CAM 4 only)

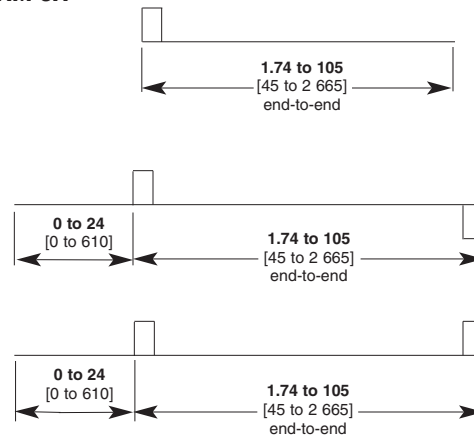
Note: For more product information, call Tyco Electronics at the numbers listed below.

Cable Assembly Configurations

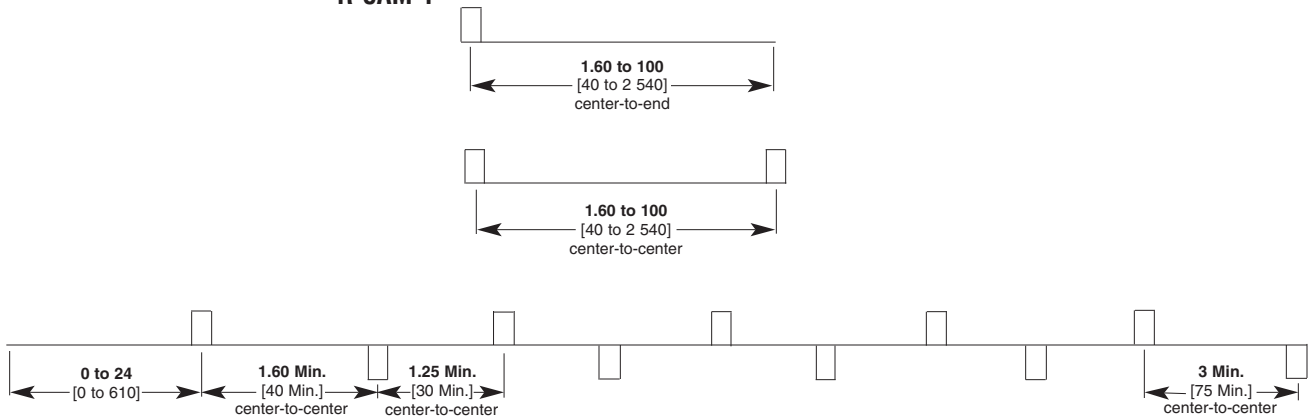
R-CAM 2A



R-CAM 3A



R-CAM 4



Application Tooling



**Manual Arbor Frame
Assembly,
Part No. 91085-2**

Bench frame for applying a variety of IDC connectors, including AMPMODU MT and CHAMP. Features adjustable ram and handle, and a slide base. Tooling is mounted to the ram and into the tracks of the base plate.



Hand Tool Kit—Part No. 768340-1

Terminating kit for .050 [1.27] centerline ribbon cable with 28 or 26 AWG [0.08 or 0.15 mm²] stranded or solid, or 30 AWG [0.05 mm²] solid conductors. Includes commercial grade hand tool with ratchet control for complete termination cycle, base assembly, bench-mount, tooling sets for standard and Novo receptacles, card edge connectors and D-Sub HDF low-profile connectors, and a carrying case.



**Pneumatic Auto-Cycle
Unit, Part No. 91112-3**

Basically an air-powered version of Manual Arbor Frame Assembly 91085-2. Features adjustable ram and cycle time, and automatic cycling when the lower assembly is slid into the frame to the rear of the base plate. Includes a guard around the frame opening.

Tooling Instruction Sheets




- 408-7777**—Manual Arbor Frame Assembly
- 408-6732**—Pneumatic Auto-Cycle Assembly
- 408-9828**—Hand Tool Kit 768340-1 for Connector-Specific Kits

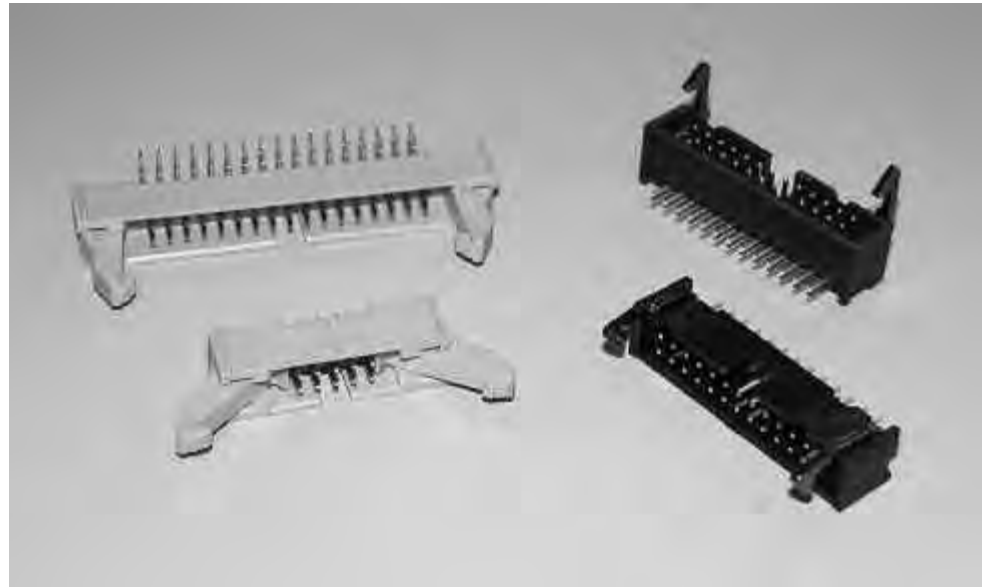
**Pneumatic Foot Pedal Unit
Part No. 91112-2**

Foot pedal indicates cycle—features adjustable ram and cycle time.

Low Profile Headers

Product Facts

- Available in selected positions 10 thru 60
- Flame retardant, thermoplastic housings, 94V-0 rated
- Vertical and right-angle versions available in double row configurations
- Available in .025 [0.64] square drawn wire posts
- Wash out clearance for flux removal
- Mates with Ribbon Cable Connectors
- Available with and without eject latches
- Available with and without “kinked” soldertails for PCB retention
- Headers are recognized under the Component Program of Underwriters Laboratories Inc.  File No. E28476
- Headers are certified by Canadian Standards Association,  File No. LR 7189
- Low profile IDC headers are recognized under the Component Program of Underwriters Laboratories Inc.  File No. E60980, Vol. 5



Performance Characteristics

Electrical

- Insulation Resistance** — 5,000 megohms minimum initial
- Dielectric Withstanding Voltage** — 1,000 V rms at sea level
- Current** — 1 ampere maximum per contact
- Operating Voltage** — 250 VAC

Environmental

- Operating Temperature** — -65°C to +105°C

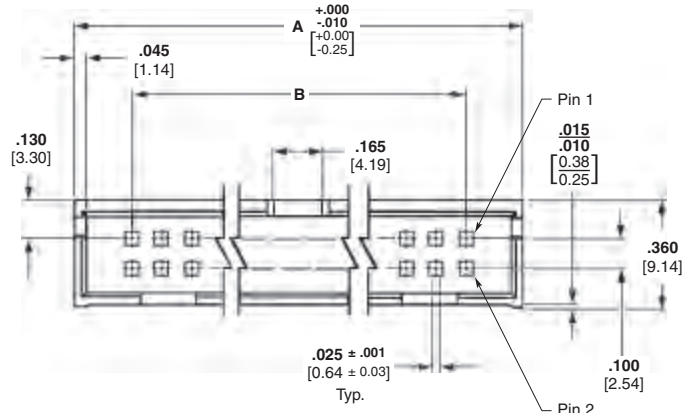
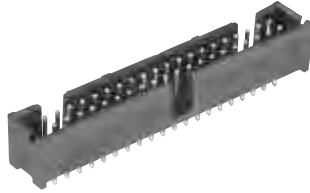
Technical Documents

- Product Specifications**
108-40018

**Low Profile Pin Headers, Center and Dual Polarized,
.100 x .100 [2.54 x 2.54] Centerlines**

Low Profile Headers

**Vertical PCB Mount
.025 [0.64] Square Post
(Mating End)**



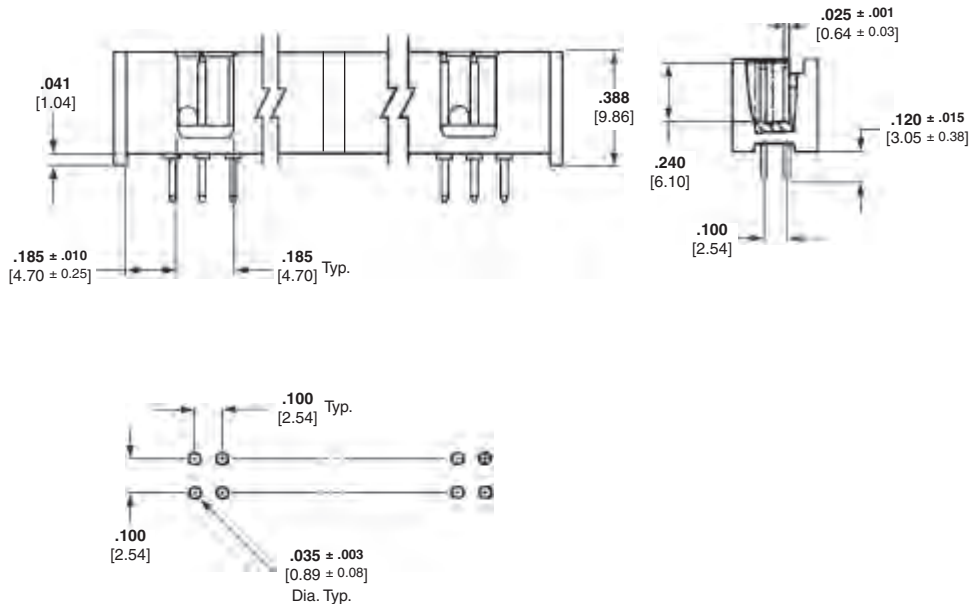
Material and Finish

Housing — Glass-filled nylon, UL 94V-0 rated, black

Posts — Brass, plated as follows:

Plating A — Duplex plated, gold flash over palladium-nickel, .000030 [0.00076] min. total on mating surfaces, .000100 [0.00254] min. tin on solder area, with entire post underplated .000050 [0.00127] min. nickel
or .000030 [0.00076] min. gold on mating surfaces, .000100 [0.00254] min. tin on solder area, with entire post underplated .000050 [0.00127] min. nickel

Plating B — Duplex plated, gold flash over palladium-nickel, .000015 [0.00038] min. total on mating surfaces, .000100 [0.00254] min. tin on solder area, with entire post underplated .000050 [0.00127] min. nickel
or .000015 [0.00038] min. gold on mating surfaces, .000100 [0.00254] min. tin on solder area, with entire post underplated .000050 [0.00127] min. nickel



**Recommended PC Board Hole Layout
For Manual Insertion**

Related Product Data

Electrical Characteristics — page 75

Mateable Connectors —

AMP/ODU Wire-Applied Receptacles

AMP/ODU Board Mount Receptacles

Short Point Wire-Applied Connectors

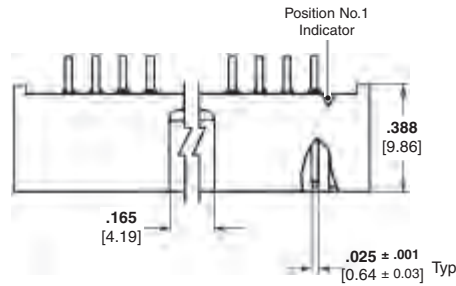
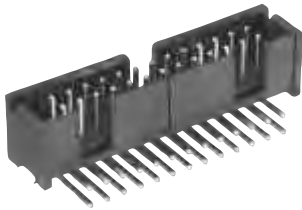
AMP-LATCH Novo Receptacles and Female Socket Connectors, 609, 622 and 636 Series — pages 48-55

| No. of Pos. | Dimensions | | Post Plating/Part Nos. | |
|-------------|---------------|---------------|------------------------|-------------|
| | A | B | Plating A | Plating B |
| 10 | .800 [20.32] | .400 [10.16] | 5103309-1 | 5103308-1 |
| 14 | 1.000 [25.40] | .600 [15.24] | 5103309-2 | 5103308-2 |
| 16 | 1.100 [27.94] | .700 [17.78] | 5103309-3 | 5103308-3 |
| 20 | 1.300 [33.02] | .900 [22.86] | 5103309-5 | 5103308-5 |
| 24 | 1.500 [38.10] | 1.100 [27.94] | — | 1-5103308-3 |
| 26 | 1.600 [40.64] | 1.200 [30.48] | 5103309-6 | 5103308-6 |
| 34 | 2.000 [50.80] | 1.600 [40.64] | 5103309-7 | 5103308-7 |
| 40 | 2.300 [58.42] | 1.900 [48.26] | 5103309-8 | 5103308-8 |
| 50 | 2.800 [71.12] | 2.400 [60.96] | 1-5103309-0 | 1-5103308-0 |
| 60 | 3.300 [83.82] | 2.900 [73.66] | — | 1-5103308-2 |

Note: All part numbers are RoHS compliant.

**Low Profile Pin Headers, Center and Dual Polarized,
.100 x .100 [2.54 x 2.54] Centerlines** (Continued)

**Right-Angle PCB Mount
.025 [0.64] Square Post
(Mating End)**



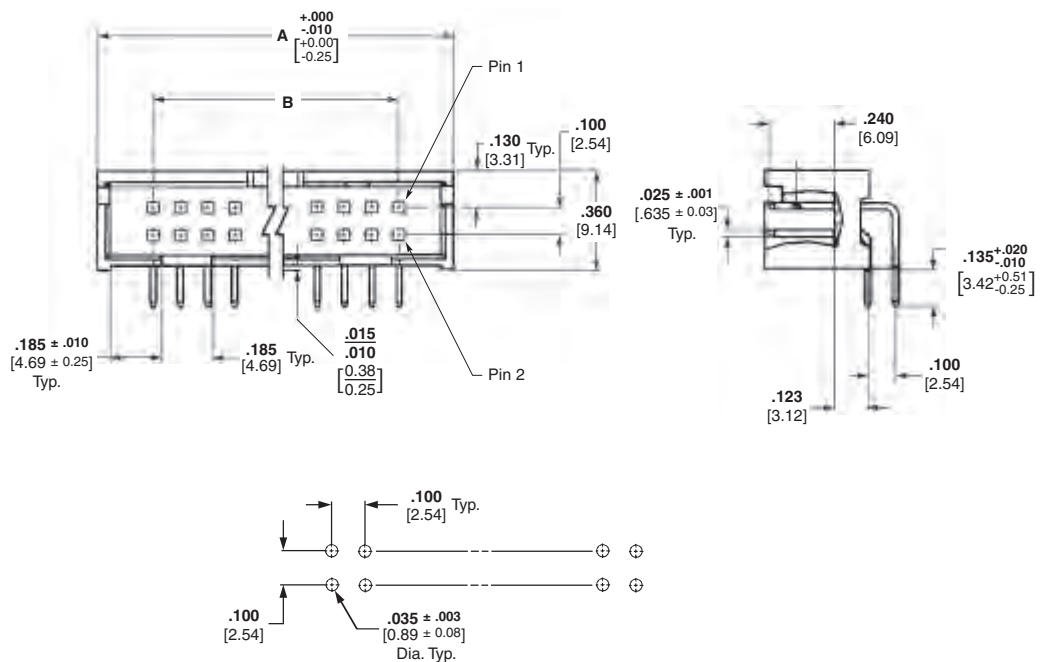
Material and Finish

Housing — Glass-filled nylon, UL 94V-0 rated, black

Posts — Brass, plated as follows:

Plating A — Duplex plated, gold flash over palladium-nickel, .000030 [0.00076] min. total on mating surfaces, .000100 [0.00254] min. tin on solder area, with entire post underplated .000050 [0.00127] min. nickel
or .000030 [0.00076] min. gold on mating surfaces, .000100 [0.00254] min. tin on solder area, with entire post underplated .000050 [0.00127] min. nickel

Plating B — Duplex plated, gold flash over palladium-nickel, .000015 [0.00038] min. total on mating surfaces, .000100 [0.00254] min. tin on solder area, with entire post underplated .000050 [0.00127] min. nickel
or .000015 [0.00038] min. gold on mating surfaces, .000100 [0.00254] min. tin on solder area, with entire post underplated .000050 [0.00127] min. nickel



**Recommended PC Board Hole Layout
For Manual Insertion**

Related Product Data

Electrical Characteristics — page 75

Mateable Connectors — **AMP/ODU Wire-Applied Receptacles**

Short Point Wire-Applied Connectors

AMP-LATCH Novo Receptacles and Female Socket Connectors, 609, 622 and 636 Series — pages 48-55

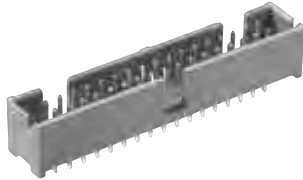
| No. of Pos. | Dimensions | | Post Plating/Part Nos. | |
|-------------|---------------|---------------|------------------------|-------------|
| | A | B | Plating A | Plating B |
| 10 | .800 [20.32] | .400 [10.16] | 5103311-1 | 5103310-1 |
| 14 | 1.000 [25.40] | .600 [15.24] | 5103311-2 | 5103310-2 |
| 16 | 1.100 [27.94] | .700 [17.78] | 5103311-3 | 5103310-3 |
| 20 | 1.300 [33.02] | .900 [22.86] | 5103311-5 | 5103310-5 |
| 26 | 1.600 [40.64] | 1.200 [30.48] | 5103311-6 | 5103310-6 |
| 34 | 2.000 [50.80] | 1.600 [40.64] | 5103311-7 | 5103310-7 |
| 40 | 2.300 [58.42] | 1.900 [48.26] | 5103311-8 | 5103310-8 |
| 50 | 2.800 [71.12] | 2.400 [60.96] | 1-5103311-0 | 1-5103310-0 |
| 60 | 3.300 [83.82] | 2.900 [73.66] | 1-5103311-2 | — |

Note: All part numbers are RoHS compliant.

**Low Profile Pin Headers, Center and Dual Polarized,
.100 x .100 [2.54 x 2.54] Centerlines & “Kinked” Solder Tails for
PCB Retention**

Low Profile Headers

**Vertical PCB Mount
.025 [0.64] Square Post
(Mating End) with Board
Retention Feature**

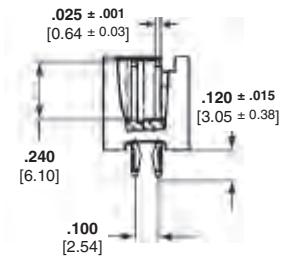
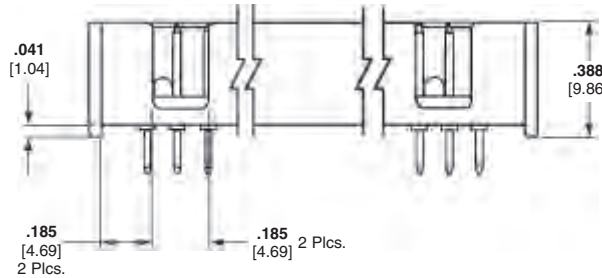
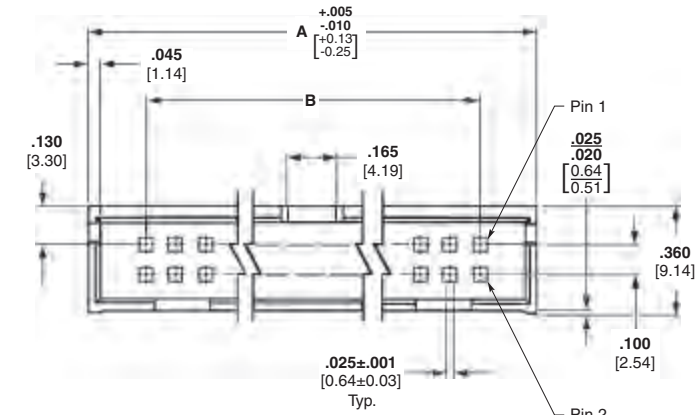


Material and Finish

Housing — Glass-filled PPA,
UL 94V-0 rated, black

Posts — Brass, plated as follows:

Plating — Duplex plated, gold flash
over palladium-nickel, .00015
[0.00038] min. total on mating surfaces,
.000100 [0.00254] min. tin on solder
area, with entire post underplated
.000050 [0.00127] min. nickel
or .000015 [0.00038] min. gold on
mating surfaces, .000100 [0.00254]
min. tin on solder area, with entire post
underplated .000050 [0.00127] min.
nickel



Related Product Data

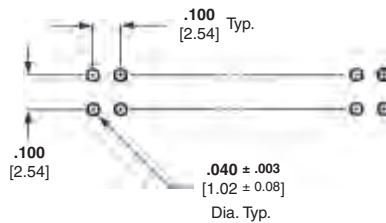
Electrical Characteristics —
page 75

Mateable Connectors —
**AMPMODU Wire-Applied
Receptacles**

**AMPMODU Board Mount
Receptacles**

**Short Point Wire-Applied
Connectors**

**AMP-LATCH Novo Receptacles
and Female Socket Connectors,
609, 622 and 636 Series** —
pages 48-55



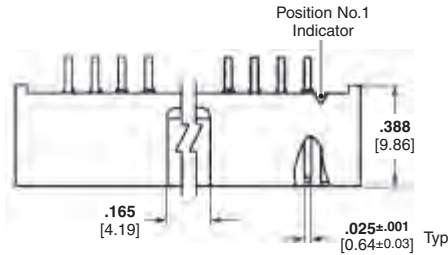
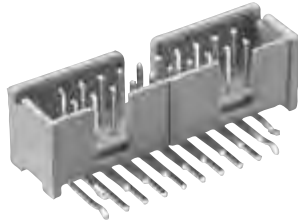
**Recommended PC Board Hole Layout
For Manual Insertion**

| No. of Pos. | Dimensions | | Post Plating Part Nos. |
|-------------|---------------|---------------|------------------------|
| | A | B | |
| 10 | .800 [20.32] | .400 [10.16] | 5104338-1 |
| 14 | 1.000 [25.40] | .600 [15.24] | 5104338-2 |
| 16 | 1.100 [27.94] | .700 [17.78] | 5104338-3 |
| 20 | 1.300 [33.02] | .900 [22.86] | 5104338-4 |
| 24 | 1.500 [38.10] | 1.100 [27.94] | 5104338-5 |
| 26 | 1.600 [40.64] | 1.200 [30.48] | 5104338-6 |
| 34 | 2.000 [50.80] | 1.600 [40.64] | 5104338-7 |
| 40 | 2.300 [58.42] | 1.900 [48.26] | 5104338-8 |
| 50 | 2.800 [71.12] | 2.400 [60.96] | 5104338-9 |
| 60 | 3.300 [83.82] | 2.900 [73.66] | 1-5104338-0 |

Note: All part numbers are RoHS compliant.

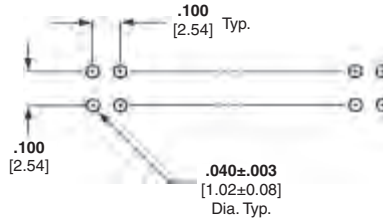
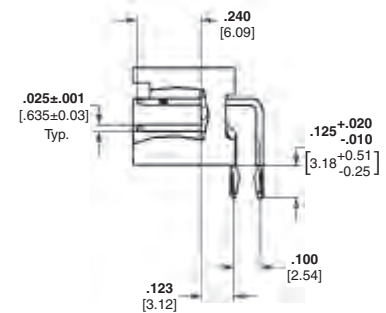
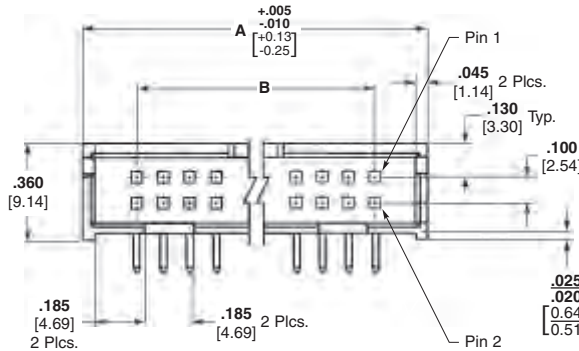
Low Profile Pin Headers, Center and Dual Polarized, .100 x .100 [2.54 x 2.54] Centerlines & “Kinked” Solder Tails for PCB Retention (Continued)

Right-Angle PCB Mount .025 [0.64] Square Post (Mating End) with Board Retention Feature



Material and Finish

Housing — Glass-filled PPA, UL 94V-0 rated, black
Posts — Brass, plated as follows:
Plating — Duplex plated, gold flash over palladium-nickel, .000015 [0.00038] min. total on mating surfaces, .000100 [0.00254] min. tin on solder area, with entire post underplated .000050 [0.00127] min. nickel or .000015 [0.00038] min. gold on mating surfaces, .000100 [0.00254] min. tin on solder area, with entire post underplated .000050 [0.00127] min. nickel



Recommended PC Board Hole Layout For Manual Insertion

Related Product Data

- Electrical Characteristics** — page 75
- Mateable Connectors** — AMPMODU Wire-Applied Receptacles
- Short Point Wire-Applied Connectors**
- AMP-LATCH Novo Receptacles and Female Socket Connectors, 609, 622 and 636 Series** — pages 48-55

| No. of Pos. | Dimensions | | Post Plating Part Nos. |
|-------------|---------------|---------------|------------------------|
| | A | B | |
| 10 | .800 [20.32] | .400 [10.16] | 5104340-1 |
| 14 | 1.000 [25.40] | .600 [15.24] | 5104340-2 |
| 16 | 1.100 [27.94] | .700 [17.78] | 5104340-3 |
| 20 | 1.300 [33.02] | .900 [22.86] | 5104340-4 |
| 24 | 1.500 [38.10] | 1.100 [27.94] | 5104340-5 |
| 34 | 2.000 [50.80] | 1.600 [40.64] | 5104340-7 |
| 40 | 2.300 [58.42] | 1.900 [48.26] | 5104340-8 |
| 50 | 2.800 [71.12] | 2.400 [60.96] | 5104340-9 |

Note: All part numbers are RoHS compliant.

IDC Low Profile Ejection Style Pin Headers with Die Cast Ejection Latches, Military and Center Polarized, .100 x .100 [2.54 x 2.54] Centerlines

IDC Low Profile Headers

**Vertical PCB Mount
.025 [0.64] Square Post
(Mating End)**



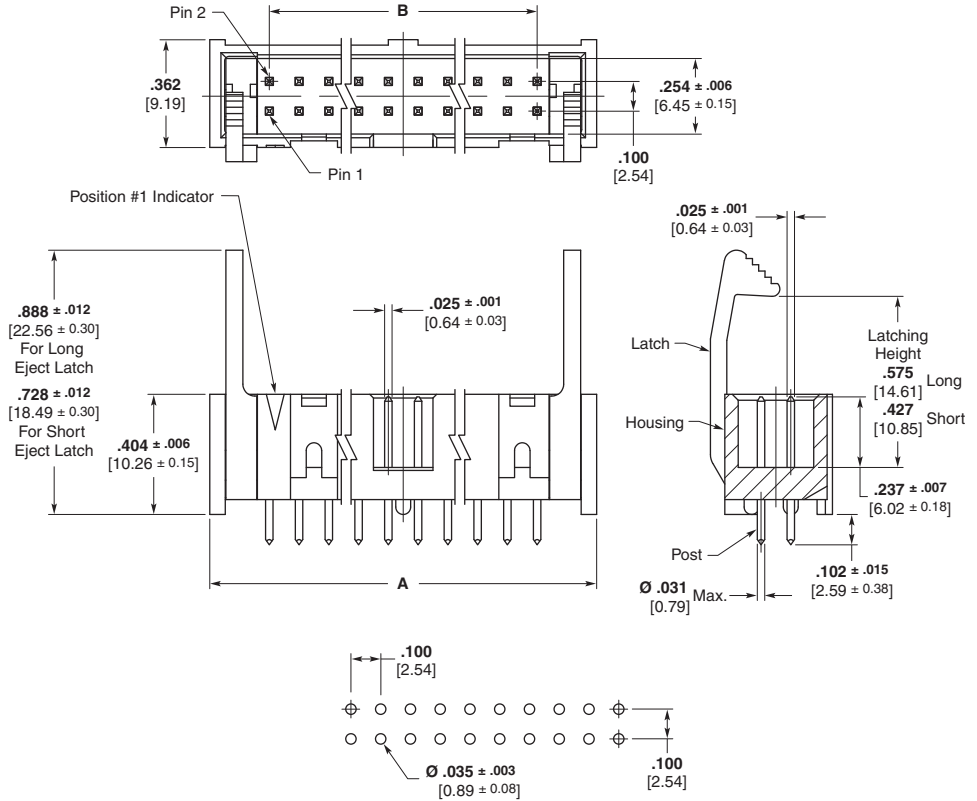
Material and Finish

Housing — Glass-filled PBT, UL 94V-0 rated, black
Posts — Brass or phosphor bronze, plated as follows:
Plating — Duplex plated, gold flash over palladium-nickel, .000030 [0.00076] min. total on mating surfaces, .000100 [0.00254] min. tin on solder area, with entire post underplated .000050 [0.00127] min. nickel or .000030 [0.00076] min. gold on mating surfaces, .000100 [0.00254] min. tin on solder area, with entire post underplated .000050 [0.00127] min. nickel

Related Product Data

Electrical Characteristics — page 75

Mateable Connectors — **AMP-LATCH Novo Receptacles and Female Socket Connectors, 609, 622 and 636 Series** — pages 48-55



Recommended PC Board Layout

| No. of Pos. | Dimensions | | Part Numbers | |
|-------------|----------------|----------------|--|--|
| | A | B | Pin Header with Short Latches (Mates with Receptacles without Strain Relief) | Pin Header with Long Latches (Mates with Receptacles with Strain Relief) |
| 10 | .800 20.32 | .400 10.16 | 1761608-3 | 1761606-3 |
| 14 | 1.000 25.40 | .600 15.24 | 1761608-5 | 1761606-5 |
| 16 | 1.100 27.94 | .700 17.78 | 1761608-6 | 1761606-6 |
| 20 | 1.300 33.02 | .900 22.86 | 1761608-7 | 1761606-7 |
| 24 | 1.500 38.10 | 1.100 27.94 | 1761608-8 | 1761606-8 |
| 26 | 1.600 40.64 | 1.200 30.48 | 1761608-9 | 1761606-9 |
| 30 | 1.800 45.72 | 1.400 35.56 | — | 1-1761606-0 |
| 34 | 2.000 50.80 | 1.600 40.64 | 1-1761608-1 | 1-1761606-1 |
| 40 | 2.300 58.42 | 1.900 48.26 | 1-1761608-3 | 1-1761606-3 |
| 50 | 2.800 71.12 | 2.400 60.96 | 1-1761608-5 | 1-1761606-5 |
| 60 | 3.300 83.82 | 2.900 73.66 | 1-1761608-6 | 1-1761606-6 |

Note: All part numbers are RoHS compliant.

IDC Low Profile Ejection Style Pin Headers with Die Cast Ejection Latches, Military and Center Polarized, .100 x .100 [2.54 x 2.54] Centerlines (Continued)

**Right-Angle PCB Mount
.025 [0.64] Square Post
(Mating End)**



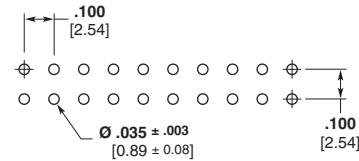
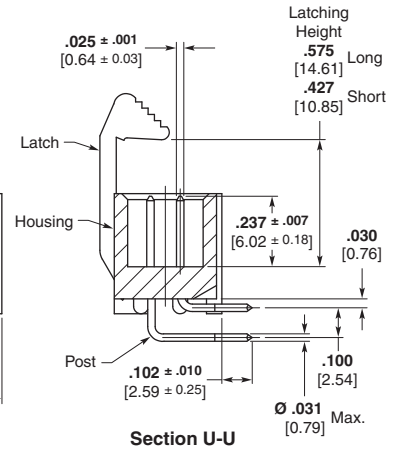
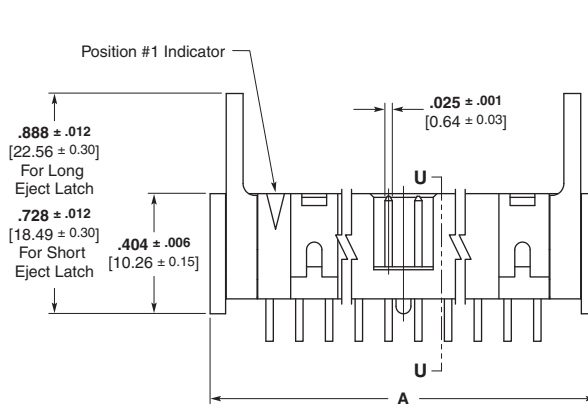
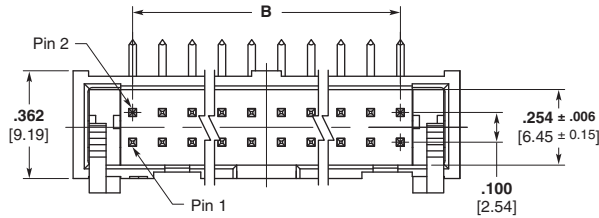
Material and Finish

Housing — Glass-filled PBT, UL 94V-0 rated, black
Posts — Brass or phosphor bronze, plated as follows:
Plating — Duplex plated, gold flash over palladium-nickel, .000030 [0.00076] min. total on mating surfaces, .000100 [0.00254] min. tin on solder area, with entire post underplated .000050 [0.00127] min. nickel or .000030 [0.00076] min. gold on mating surfaces, .000100 [0.00254] min. tin on solder area, with entire post underplated .000050 [0.00127] min. nickel

Related Product Data

Electrical Characteristics — page 75

Mateable Connectors — **AMP-LATCH Novo Receptacles and Female Socket Connectors, 609, 622 and 636 Series** — pages 48-55



Recommended PC Board Layout

| No. of Pos. | Dimensions | | Part Numbers | |
|-------------|----------------|----------------|---|---|
| | A | B | Pin Header with Short Latches (Mates with Receptacles without Strain Relief) | Pin Header with Long Latches (Mates with Receptacles with Strain Relief) |
| 10 | .800 20.32 | .400 10.16 | 1761609-3 | 1761607-3 |
| 14 | 1.000 25.40 | .600 15.24 | 1761609-5 | 1761607-5 |
| 16 | 1.100 27.94 | .700 17.78 | 1761609-6 | 1761607-6 |
| 20 | 1.300 33.02 | .900 22.86 | 1761609-7 | 1761607-7 |
| 26 | 1.600 40.64 | 1.200 30.48 | 1761609-9 | 1761607-9 |
| 34 | 2.000 50.80 | 1.600 40.64 | 1-1761609-1 | 1-1761607-1 |
| 40 | 2.300 58.42 | 1.900 48.26 | 1-1761609-3 | 1-1761607-3 |
| 50 | 2.800 71.12 | 2.400 60.96 | 1-1761609-5 | 1-1761607-5 |
| 60 | 3.300 83.82 | 2.900 73.66 | 1-1761609-6 | 1-1761607-6 |

Note: All part numbers are RoHS compliant.

**IDC Low Profile Ejection Style Pin Headers, Center Polarized,
.100 x .100 [2.54 x 2.54] Centerlines**

IDC Low Profile Headers

**Vertical PCB Mount
.025 [0.64] Square Post
(Mating End)**



Material and Finish

Housing and Eject Latches — PBT, UL 94V-0 rated, blue

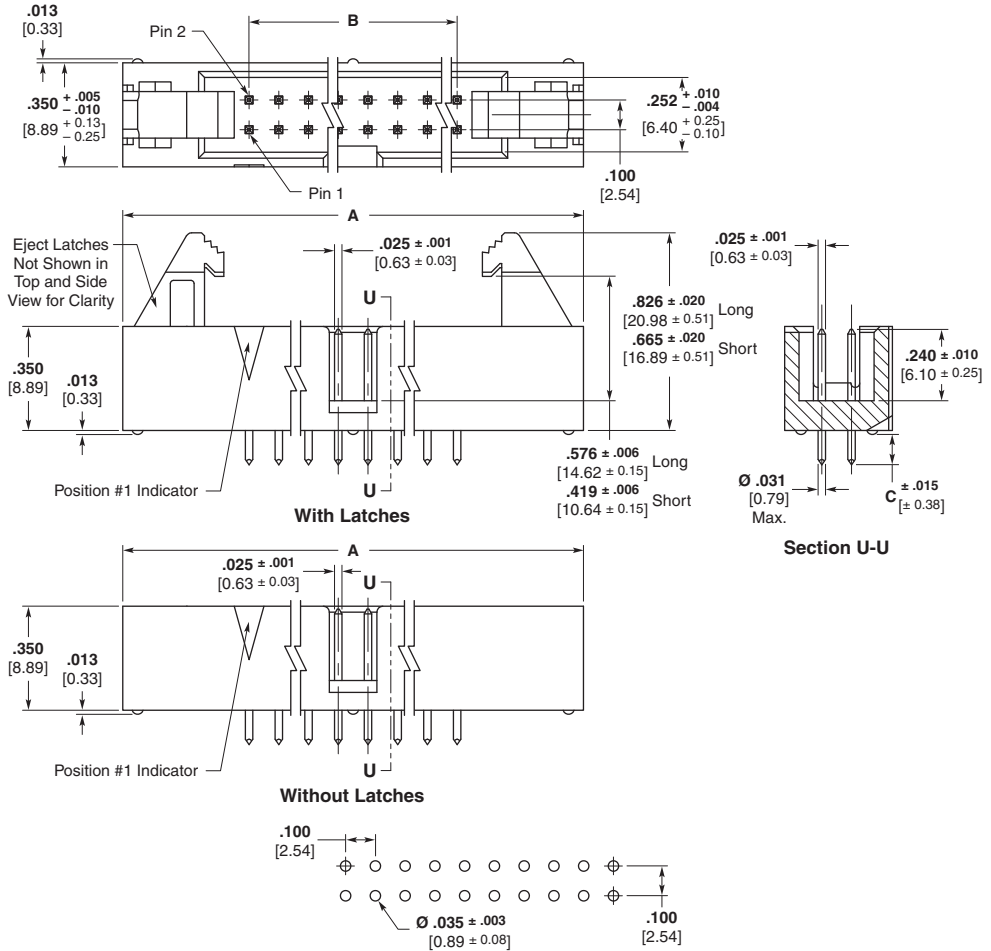
Posts — Phosphor bronze, plated as follows:

Plating — Duplex plated, .000030 [0.00076] min. gold on mating surfaces, .000100 [0.00254] min. tin on solder area, with entire post underplated .000050 [0.00127] min. nickel

Related Product Data

Electrical Characteristics — page 75

Mateable Connectors — **AMP-LATCH Novo Receptacles and Female Socket Connectors, 609, 622 and 636 Series** — pages 48-55



Recommended PC Board Layout

| Dim. C (Solder Tail Length) | No. of Pos. | Dimensions | | Part Numbers | | |
|--------------------------------|-------------|---------------|---------------|----------------------------|--|--|
| | | A | B | Pin Header without Latches | Pin Header with Short Latches (Mates with Receptacles without Strain Relief) | Pin Header with Long Latches (Mates with Receptacles with Strain Relief) |
| .102 2.59 | 10 | 1.250 [31.75] | .400 [10.16] | 1761693-3 | 1761685-3 | 1761686-3 |
| | 14 | 1.450 [36.83] | .600 [15.24] | — | — | 1761686-5 |
| | 16 | 1.550 [39.37] | .700 [17.78] | — | 1761685-6 | 1761686-6 |
| | 20 | 1.750 [44.45] | .900 [22.86] | — | 1761685-7 | 1761686-7 |
| | 24 | 1.950 [49.53] | 1.100 [27.94] | 1761693-8 | 1761685-8 | 1761686-8 |
| | 26 | 2.050 [52.07] | 1.200 [30.48] | — | 1761685-9 | 1761686-9 |
| | 30 | 2.250 [57.15] | 1.400 [35.56] | — | 1-1761685-0 | — |
| | 34 | 2.450 [62.23] | 1.600 [40.64] | 1-1761693-1 | 1-1761685-1 | 1-1761686-1 |
| | 40 | 2.750 [69.85] | 1.900 [48.26] | — | 1-1761685-3 | 1-1761686-3 |
| | 50 | 3.250 [82.55] | 2.400 [60.96] | — | 1-1761685-5 | 1-1761686-5 |
| .165 4.19 | 10 | 1.250 [31.75] | .400 [10.16] | 1761694-3 | 1761687-3 | — |
| | 14 | 1.450 [36.83] | .600 [15.24] | — | — | — |
| | 16 | 1.550 [39.37] | .700 [17.78] | — | — | — |
| | 20 | 1.750 [44.45] | .900 [22.86] | — | 1761687-7 | 1761688-7 |
| | 24 | 1.950 [49.53] | 1.100 [27.94] | — | — | 1761688-8 |
| | 26 | 2.050 [52.07] | 1.200 [30.48] | 1761694-9 | 1761687-9 | 1761688-9 |
| | 34 | 2.450 [62.23] | 1.600 [40.64] | — | 1-1761687-1 | 1-1761688-1 |
| | 40 | 2.750 [69.85] | 1.900 [48.26] | — | 1-1761687-3 | — |
| | 50 | 3.250 [82.55] | 2.400 [60.96] | — | — | 1-1761688-5 |

Note: All part numbers are RoHS compliant.

IDC Low Profile Ejection Style Pin Headers, Center Polarized, .100 x .100 [2.54 x 2.54] Centerlines (Continued)

**Right-Angle PCB Mount
.025 [0.64] Square Post
(Mating End)**



Material and Finish

Housing and Eject Latches — PBT, UL 94V-0 rated, blue

Posts — Phosphor bronze, plated as follows:

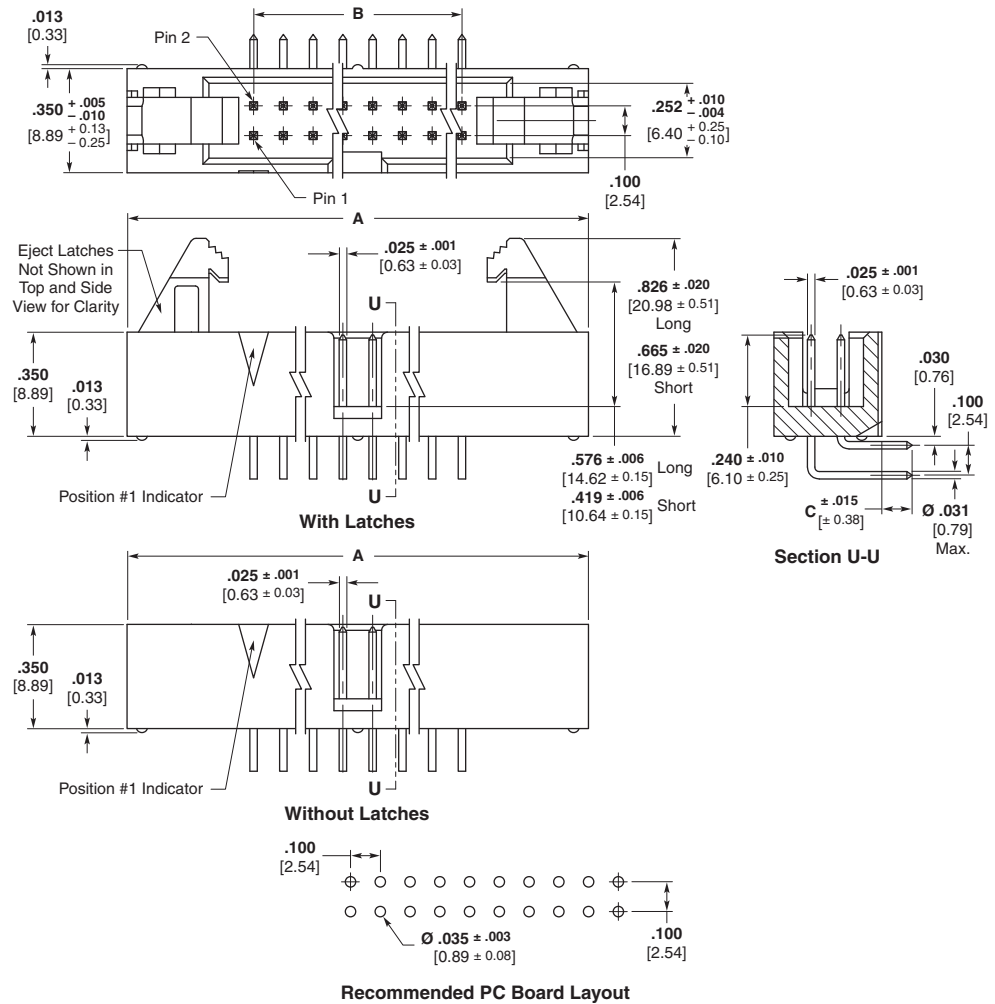
Plating — Duplex plated, .000030 [0.00076] min. gold on mating surfaces, .000100 [0.00254] min. tin on solder area, with entire post underplated .000050 [0.00127] min. nickel

Related Product Data

Electrical Characteristics — page 75

Mateable Connectors —

AMP-LATCH Novo Receptacles and Female Socket Connectors, 609, 622 and 636 Series — pages 48-55



IDC Low Profile Headers

| Dim. C (Soldertail Length) | No. of Pos. | Dimensions | | Part Numbers |
|-------------------------------|-------------|---------------|---------------|---|
| | | A | B | Pin Header with Long Latches (Mates with Receptacles with Strain Relief) |
| .102 2.59 | 16 | 1.550 [39.37] | .700 [17.78] | 1761690-6 |
| | 24 | 1.950 [49.53] | 1.100 [27.94] | 1761690-8 |
| | 26 | 2.050 [52.07] | 1.200 [30.48] | 1761690-9 |
| | 30 | 2.250 [57.15] | 1.400 [35.56] | 1-1761690-0 |
| .165 4.19 | 60 | 3.750 [95.25] | 2.900 [73.66] | 1-1761690-6 |
| | 10 | 1.250 [31.75] | .400 [10.16] | 1761692-3 |
| | 34 | 2.450 [62.23] | 1.600 [40.64] | 1-1761692-1 |
| | 40 | 2.750 [69.85] | 1.900 [48.26] | 1-1761692-3 |

Note: All part numbers are RoHS compliant.

Universal Ejection Style Pin Headers, Military, Center and Dual Polarized, .100 x .100 [2.54 x 2.54] Centerlines

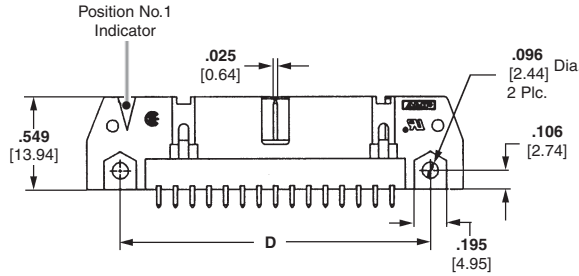
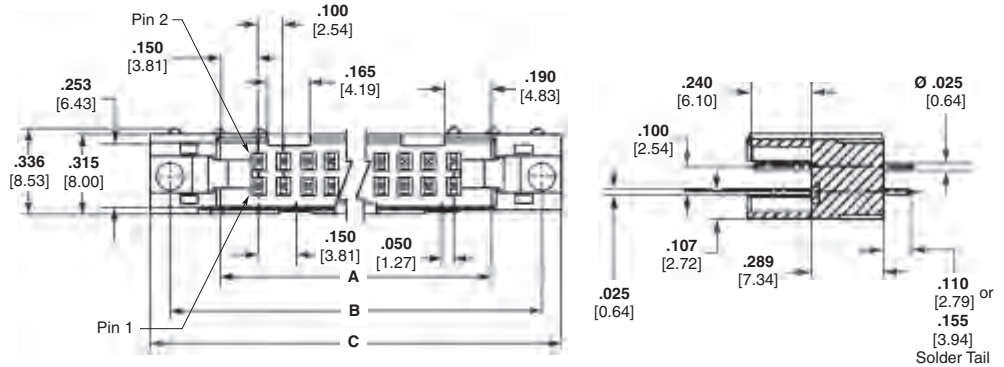
**Vertical PCB Mount
.025 [0.64] Sq. Posts
(Mating End)**



Pin Header with Latches



Pin Header without Latches



Material and Finish

Housing & Latches—Black PBT or nylon, UL 94V-0 rated

Contacts — Brass; duplex plated (See chart, page 85)

Related Product Data

Mateable Receptacles — pages 48-55

Accessories —
Snap-In Polarizer — page 63

Technical Documents

Product Specifications
108-40018 Pin Headers

| No. of Positions | Dimensions | | | | | |
|------------------|----------------|----------------|-----------------|----------------|----------------|----------------|
| | A | B | C | D | E | F |
| 10 | .700 17.78 | 1.100 27.94 | 1.260 32.00 | .860 21.84 | 1.100 27.94 | .400 10.16 |
| 14 | .900 22.86 | 1.300 33.02 | 1.460 37.08 | 1.060 26.92 | 1.300 33.02 | .600 15.24 |
| 16 | 1.000 25.40 | 1.400 35.56 | 1.560 39.62 | 1.180 29.46 | 1.400 35.56 | .700 17.78 |
| 20 | 1.200 30.48 | 1.600 40.64 | 1.760 44.70 | 1.360 34.54 | 1.800 40.64 | .900 22.86 |
| 24 | 1.400 35.56 | 1.800 45.72 | 1.960 49.78 | 1.560 39.62 | 1.800 45.72 | 1.100 27.94 |
| 26 | 1.500 38.10 | 1.900 48.26 | 2.060 52.32 | 1.660 42.16 | 1.900 48.26 | 1.200 30.48 |
| 30 | 1.700 43.18 | 2.100 53.34 | 2.260 57.40 | 1.860 47.24 | 2.100 53.34 | 1.400 35.56 |
| 34 | 1.900 48.26 | 2.300 58.42 | 2.460 62.48 | 2.060 52.32 | 2.300 58.42 | 1.600 40.64 |
| 40 | 2.200 55.88 | 2.600 66.04 | 2.760 70.10 | 2.360 59.94 | 2.600 66.04 | 1.900 48.26 |
| 50 | 2.700 68.58 | 3.100 78.74 | 3.260 82.80 | 2.860 72.64 | 3.100 78.74 | 2.400 60.98 |
| 60 | 3.200 81.28 | 3.600 91.44 | 3.760 95.50 | 3.360 85.34 | 3.600 91.44 | 2.900 73.66 |
| 64 | 3.400 86.36 | 3.800 96.52 | 3.960 100.58 | 3.560 90.42 | 3.800 96.52 | 3.100 78.74 |

- Notes:**
1. Pin headers in 10- and 14-position sizes have only one slot for snap-in polarizer (military polarization), located as shown.
 2. Pin headers in 10-position size have only slot for dual polarization, located as shown.
 3. For information regarding latch/pin header applications and for ordering latches separately, refer to page 96.

Universal Ejection Style Pin Headers, Military, Center and Dual Polarized, .100 x .100 [2.54 x 2.54] Centerlines (Continued)

Vertical PCB Mount
.025 [0.64] Sq. Posts
(Mating End) (Continued)

| Soldertail Length | No. of Positions | Contact Finish (Plating Code) | Pin Header without Latches | Pin Header w/ Short Latches (Mates with AMP-LATCH Receptacles without Strain Relief) | Pin Header w/ Long Latches (Mates with AMP-LATCH Receptacles with Strain Relief) |
|-------------------|------------------|-------------------------------|----------------------------|--|--|
| .110 2.79 | 10 | A | 5102153-1 | 5499910-1 | 5499922-1 |
| | | B | 5102154-1 | 5499160-1 | 5499206-1 |
| | 14 | A | 5102153-2 | 5499910-2 | 5499922-2 |
| | | B | 5102154-2 | 5499160-2 | 5499206-2 |
| | 16 | A | 5102153-3 | 5499910-3 | 5499922-3 |
| | | B | 5102154-3 | 5499160-3 | 5499206-3 |
| | 20 | A | 5102153-4 | 5499910-4 | 5499922-4 |
| | | B | 5102154-4 | 5499160-4 | 5499206-4 |
| | 24 | A | 5102153-5 | 5499910-5 | 5499922-5 |
| | | B | 5102154-5 | — | 5499206-5 |
| | 26 | A | 5102153-6 | 5499910-6 | 5499922-6 |
| | | B | 5102154-6 | 5499160-6 | 5499206-6 |
| | 30 | A | 5102153-7 | 5499910-7 | 5499922-7 |
| | | B | 5102154-7 | — | 5499206-7 |
| | 34 | A | 5102153-8 | 5499910-8 | 5499922-8 |
| | | B | 5102154-8 | 5499160-8 | 5499206-8 |
| | 40 | A | 5102153-9 | 5499910-9 | 5499922-9 |
| | | B | 5102154-9 | 5499160-9 | 5499206-9 |
| | 50 | A | 1-5102153-0 | 1-5499910-0 | 1-5499922-0 |
| | | B | 1-5102154-0 | 1-5499160-0 | 1-5499206-0 |
| | 60 | A | — | — | 1-5499922-1 |
| | | B | 1-5102154-1 | — | 1-5499206-1 |
| | 64 | A | 1-5102153-2 | — | 1-5499922-2 |
| | | B | 1-5102154-2 | 1-5499160-2 | 1-5499206-2 |
| .155 3.94 | 10 | A | 5102155-1 | — | 5499923-1 |
| | | B | 5102156-1 | 5499374-1 | 5102321-1 |
| | 14 | A | — | — | — |
| | | B | 5102156-2 | 5499374-2 | 5102321-2 |
| | 16 | A | 5102155-3 | — | 5499923-3 |
| | | B | 5102156-3 | — | 5102321-3 |
| | 20 | A | — | — | 5499923-4 |
| | | B | 5102156-4 | 5499374-4 | 5102321-4 |
| | 24 | A | — | — | 5499923-5 |
| | | B | 5102156-5 | 5499374-5 | 5102321-5 |
| | 26 | A | 5102155-6 | — | 5499923-6 |
| | | B | 5102156-6 | 5499374-6 | 5102321-6 |
| | 30 | A | — | — | 5499923-7 |
| | | B | 5102156-7 | — | 5102321-7 |
| | 34 | A | 5102155-8 | 5499911-8 | 5499923-8 |
| | | B | 5102156-8 | 5499374-8 | 5102321-8 |
| | 40 | A | 5102155-9 | 5499911-9 | 5499923-9 |
| | | B | 5102156-9 | 5499374-9 | 5102321-9 |
| | 50 | A | 1-5102155-0 | — | 1-5499923-0 |
| | | B | 1-5102156-0 | 1-5499374-0 | 1-5102321-0 |
| | 60 | A | — | — | 1-5499923-1 |
| | | B | 1-5102156-1 | — | 1-5102321-1 |
| | 64 | A | 1-5102155-2 | — | 1-5499923-2 |
| | | B | 1-5102156-2 | — | 1-5102321-2 |

Plating Code A — Gold flash over palladium-nickel plate, .000015 [0.00038] min. total on the mating surfaces, .000100 [0.00254] min. tin plate on the soldertails, over .000050 [0.00127] min nickel underplate or .000015 [0.00038] min. gold on the mating surfaces, .000100 [0.00254] min. tin plate on the soldertails, over .000050 [0.00127] min. nickel underplate.

Plating Code B — Gold flash over palladium-nickel plate, .000030 [0.00076] min. total on the mating surfaces, .000100 [0.00254] min. tin plate on the soldertails, over .000050 [0.00127] min nickel underplate or .000030 [0.00076] min. gold on the mating surfaces, .000100 [0.00254] min. tin plate on the soldertails, over .000050 [0.00127] min. nickel underplate.

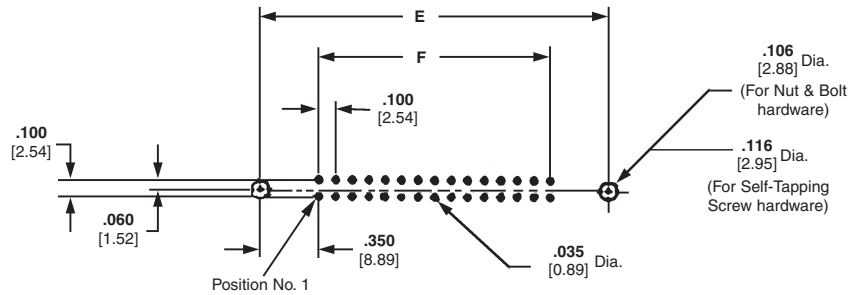
Note: All part numbers are RoHS compliant.

Military, Center and Dual Polarized, Vertical Mount Universal Ejection Style Pin Headers

Universal Ejection Style Pin Headers, Military, Center and Dual Polarized, .100 x .100 [2.54 x 2.54] Centerlines (Continued)

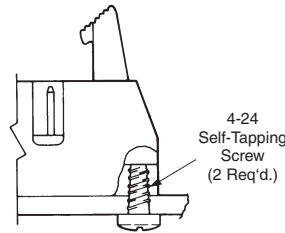
Mounting Information

4-24 self-tapping screws and 2-56 bolts and nuts are available for mounting straight-thru pin headers of pc boards. Typical applications and part nos. for ordering this hardware are presented below.

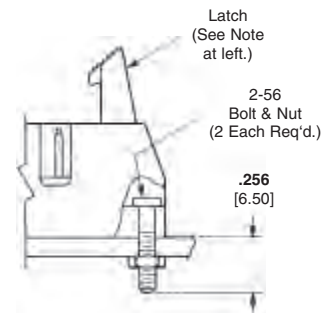


Recommended Mounting Hole Pattern For Vertical PCB Mount Headers

PC board thicknesses are : .062 [1.57] for .110 [2.79] long posts,
.125 [3.18] for .155 [3.94] long posts.



Pin Header Mounting using 4-24 Self-Tapping Screws:
Part No. 19156-1 (for .062 [1.57] Thick PC Board)
19156-2 (for .093 [2.36] Thick PC Board)
19156-3 (for .125 [3.18] Thick PC Board)



Pin Header Mounting with 2-56 Bolts and Nuts:
Part No. 746383-1 (Bolt Only)
Kit No. 102198-1 (Bolt and Nut, 2 Each per Kit)

Note: 2-56 bolts and nuts may be used to mount pin headers with and without latches. If latches are to be used, the bolts must be positioned in the pin header before the latches are installed.

Note: All part numbers are RoHS compliant.

Military, Center and Dual Polarized, Vertical Mount Universal Ejection Style Pin Headers

Universal Ejection Style Pin Headers with ACTION PIN Contacts, Military, Center and Dual Polarized, .100 x .100 [2.54 x 2.54] Centerlines

**Vertical PCB Mount
.025 [0.64] Sq. Posts
(Mating End)**



**Pin Header
without Latches**

Material and Finish

Housing — Black PBT or nylon, UL 94V-0 rated

Contacts—Copper alloy; duplex plated (See chart, page 88)

Related Product Data

Mateable Receptacles — pages 48-55

Accessories —

Snap-In Polarizer — page 63

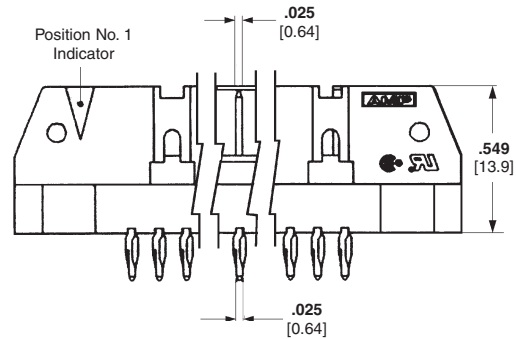
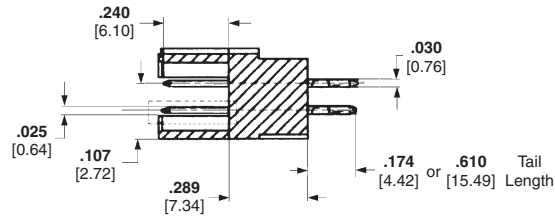
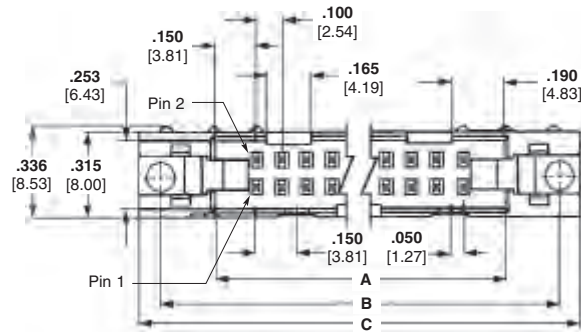
Technical Documents

Product Specifications

108-40019 Pin Headers with ACTION PIN Contacts

Application Specification

114-40020 AMP-LATCH Universal Headers with ACTION PIN Contacts



| No. of Positions | Dimensions | | | | |
|------------------|----------------|----------------|-----------------|----------------|----------------|
| | A | B | C | D | E |
| 10 | .700 17.78 | 1.100 27.94 | 1.260 32.00 | 1.100 27.94 | .400 10.16 |
| 14 | .900 22.86 | 1.300 33.02 | 1.460 37.08 | 1.300 33.02 | .600 15.24 |
| 16 | 1.000 25.40 | 1.400 35.56 | 1.560 39.62 | 1.400 35.56 | .700 17.78 |
| 20 | 1.200 30.48 | 1.600 40.64 | 1.760 44.70 | 1.600 40.64 | .900 22.86 |
| 24 | 1.400 35.56 | 1.800 45.72 | 1.960 49.78 | 1.800 45.72 | 1.100 27.94 |
| 26 | 1.500 38.10 | 1.900 48.26 | 2.060 52.32 | 1.900 48.26 | 1.200 30.48 |
| 30 | 1.700 43.18 | 2.100 53.34 | 2.260 57.40 | 2.100 53.34 | 1.400 35.56 |
| 34 | 1.900 48.26 | 2.300 58.42 | 2.460 62.48 | 2.300 58.42 | 1.600 40.64 |
| 40 | 2.200 55.88 | 2.600 66.04 | 2.760 70.10 | 2.600 66.04 | 1.900 48.26 |
| 50 | 2.700 68.58 | 3.100 78.74 | 3.260 82.80 | 3.100 78.74 | 2.400 60.96 |
| 60 | 3.200 81.28 | 3.600 91.44 | 3.760 95.50 | 3.600 91.44 | 2.900 73.66 |
| 64 | 3.400 86.36 | 3.800 96.52 | 3.960 100.58 | 3.800 96.52 | 3.100 78.74 |

- Notes:**
1. Pin headers in 10- and 14-position sizes have only one slot for snap-in polarizer (military polarization), located as shown.
 2. Pin headers in 10-position size have only slot for dual polarization, located as shown.
 3. For information regarding latch/pin header applications and for ordering latches separately, refer to page 96.

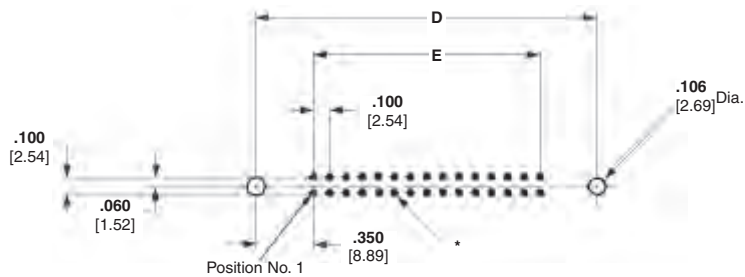
Universal Ejection Style Pin Headers with ACTION PIN Contacts, Military, Center and Dual Polarized, .100 x .100 [2.54 x 2.54] Centerlines (Continued)

| Tail Length | No. of Positions | Contact Finish (Plating Code) | Pin Header (without Latches) |
|-----------------|------------------|-------------------------------|------------------------------|
| .174 [4.42] | 10 | B | 1658694-6 |
| | 14 | | 1658694-7 |
| | 16 | | 1658694-8 |
| | 20 | | 1658694-1 |
| | 24 | | 1658694-9 |
| | 26 | | 1658694-2 |
| | 30 | | 1-1658694-0 |
| | 34 | | 1-1658694-1 |
| | 40 | | 1658694-3 |
| | 50 | | 1658694-4 |
| | 64 | | 1658694-5 |
| .610 [15.49] | 10 | B | 1658695-2 |
| | 14 | | 1658695-3 |
| | 16 | | 1658695-4 |
| | 20 | | 1658695-5 |
| | 26 | | 1658695-6 |
| | 34 | | 1658695-1 |
| | 40 | | 1658695-7 |
| | 50 | | 1658695-8 |
| | 60 | | 1658695-9 |

Plating Code B — Gold flash over palladium-nickel plate, .000030 [0.00076] min. total on the mating surfaces, .000100 [0.00254] min. tin plate on the tails, over .000050 [0.00127] min nickel underplate **or** .000030 [0.00076] min. gold on the mating surfaces, .000100 [0.00254] min. tin plate on the tails, over .000050 [0.00127] min. nickel underplate.

Mounting Information

4-24 self-tapping screws and 2-56 bolts and nuts are available for mounting straight-thru pin headers of pc boards. Typical applications and part nos. for ordering this hardware are presented on page 86.



Recommended Mounting Hole Pattern For Vertical PCB Mount Header With ACTION PIN Contacts

*For .080 [2.03] min. thick PCB refer to Application Specification 114-40020 for hole size and finish recommendations.

Note: All part numbers are RoHS compliant.

Military, Center and Dual Polarized Universal Ejection Style Pin Headers with ACTION PIN Contacts

Universal Ejection Style Pin Headers, Military, Center and Dual Polarized, .100 x .100 [2.54 x 2.54] Centerlines

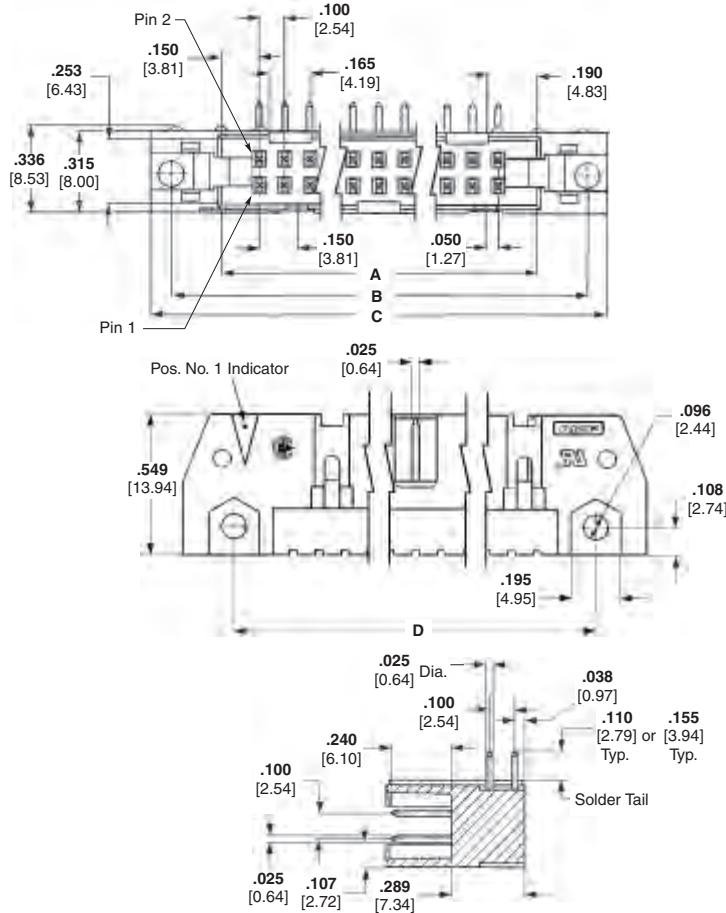
**Right-Angle PCB Mount
.025 [0.64] Sq. Posts
(Mating End)**



**Pin Header
with Latches**



**Pin Header
without Latches**



Material and Finish

Housing & Latches — Black PBT or nylon, UL 94V-0 rated

Contacts — Brass; duplex plated (See chart, page 90)

Related Product Data

Mateable Receptacles — pages 48-55

Accessories —

Snap-In Polarizer — page 63

Technical Documents

Product Specifications

108-40018 Pin Headers

| No. of Positions | Dimensions | | | | | |
|------------------|----------------|----------------|-----------------|----------------|----------------|----------------|
| | A | B | C | D | E | F |
| 10 | .700 17.78 | 1.100 27.94 | 1.260 32.00 | .860 21.84 | .860 21.84 | .400 10.16 |
| 14 | .900 22.86 | 1.300 33.02 | 1.460 37.08 | 1.060 26.92 | 1.060 26.92 | .600 15.24 |
| 16 | 1.000 25.40 | 1.400 35.56 | 1.560 39.62 | 1.180 29.46 | 1.180 29.46 | .700 17.78 |
| 20 | 1.200 30.48 | 1.600 40.64 | 1.760 44.70 | 1.380 34.54 | 1.380 34.54 | .900 22.86 |
| 24 | 1.400 35.56 | 1.800 45.72 | 1.960 49.78 | 1.560 39.62 | 1.560 39.62 | 1.100 27.94 |
| 26 | 1.500 38.10 | 1.900 48.26 | 2.060 52.32 | 1.660 42.16 | 1.660 42.16 | 1.200 30.48 |
| 30 | 1.700 43.18 | 2.100 53.34 | 2.260 57.40 | 1.860 47.24 | 1.860 47.24 | 1.400 35.56 |
| 34 | 1.900 48.26 | 2.300 58.42 | 2.460 62.48 | 2.060 52.32 | 2.060 52.32 | 1.600 40.64 |
| 40 | 2.200 55.88 | 2.600 66.04 | 2.760 70.10 | 2.360 59.94 | 2.360 59.94 | 1.900 48.26 |
| 50 | 2.700 68.58 | 3.100 78.74 | 3.260 82.80 | 2.860 72.64 | 2.860 72.64 | 2.400 60.98 |
| 60 | 3.200 81.28 | 3.600 91.44 | 3.760 95.50 | 3.360 85.34 | 3.360 85.34 | 2.900 73.66 |
| 64 | 3.400 86.36 | 3.800 96.52 | 3.960 100.58 | 3.560 90.42 | 3.560 90.42 | 3.100 78.74 |

Notes: 1. Pin headers in 10- and 14-position sizes have only one slot for snap-in polarizer (military polarization), located as shown.
2. Pin headers in 10-position size have only slot for dual polarization, located as shown.

Universal Ejection Style Pin Headers, Military, Center and Dual Polarized, .100 x .100 [2.54 x 2.54] Centerlines (Continued)

**Right-Angle PCB Mount
.025 [0.64] Sq. Posts
(Mating End)** (Continued)

| Soldertail Length | No. of Positions | Contact Finish (Plating Code) | Pin Header without Latches | Pin Header w/ Short Latches (Mates with Receptacles without Strain Relief) | Pin Header w/ Long Latches (Mates with Receptacles with Strain Relief) |
|---------------------|------------------|-------------------------------|----------------------------|--|--|
| .110 2.79 | 10 | A | 5102159-1 | 5499913-1 | 5499786-1 |
| | | B | 5102160-1 | 5499345-1 | 5499141-1 |
| | 14 | A | 5102159-2 | 5499913-2 | 5499786-2 |
| | | B | — | 5499345-2 | 5499141-2 |
| | 16 | A | 5102159-3 | 5499913-3 | — |
| | | B | 5102160-3 | — | 5499141-3 |
| | 20 | A | 5102159-4 | 5499913-4 | 5499786-4 |
| | | B | 5102160-4 | — | 5499141-4 |
| | 24 | A | — | 5499913-5 | 5499786-5 |
| | | B | 5102160-5 | 5499345-5 | — |
| | 26 | A | 5102159-6 | 5499913-6 | 5499786-6 |
| | | B | 5102160-6 | — | 5499141-6 |
| | 30 | A | 5102159-7 | 5499913-7 | — |
| | | B | — | — | 5499141-7 |
| | 34 | A | 5102159-8 | 5499913-8 | 5499786-8 |
| | | B | 5102160-8 | — | 5499141-8 |
| | 40 | A | 5102159-9 | 5499913-9 | 5499786-9 |
| | | B | 5102160-9 | 5499345-9 | 5499141-9 |
| | 50 | A | 1-5102159-0 | 1-5499913-0 | 1-5499786-0 |
| | | B | 1-5102160-0 | 1-5499345-0 | 1-5499141-0 |
| | 60 | A | 1-5102159-1 | 1-5499913-1 | 1-5499786-1 |
| | | B | 1-5102160-1 | — | 1-5499141-1 |
| | 64 | A | 1-5102159-2 | — | 1-5499786-2 |
| | | B | 1-5102160-2 | — | 1-5499141-2 |
| .155 3.94 | 10 | A | — | — | — |
| | | B | 5102162-1 | — | 5102322-1 |
| | 14 | A | 5102161-2 | — | 5499925-2 |
| | | B | 5102162-2 | — | 5102322-2 |
| | 16 | A | — | — | — |
| | | B | — | — | 5102322-3 |
| | 20 | A | 5102161-4 | 5499914-4 | — |
| | | B | — | — | 5102322-4 |
| | 24 | A | 5102161-5 | — | 5499925-5 |
| | | B | 5102162-5 | — | 5102322-5 |
| | 26 | A | — | — | — |
| | | B | — | — | 5102322-6 |
| | 30 | A | 5102161-7 | — | — |
| | | B | 5102162-7 | — | — |
| | 34 | A | 5102161-8 | 5499914-8 | — |
| | | B | 5102162-8 | — | 5102322-8 |
| | 40 | A | — | — | — |
| | | B | — | 5499376-9 | — |
| | 50 | A | — | — | 1-5499925-0 |
| | | B | 1-5102162-0 | — | — |
| | 60 | A | — | — | — |
| | | B | 1-5102162-1 | — | — |
| | 64 | A | — | — | — |
| | | B | 1-5102162-2 | — | — |

Plating Code A — Gold flash over palladium-nickel plate, .000015 [0.00038] min. total on the mating surfaces, .000100 [0.00254] min. tin plate on the soldertails, over .000050 [0.00127] min nickel underplate **or** .000015 [0.00038] min. gold on the mating surfaces, .000100 [0.00254] min. tin plate on the soldertails, over .000050 [0.00127] min. nickel underplate.

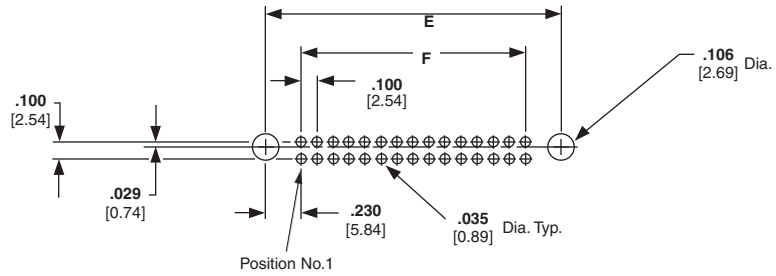
Plating Code B — Gold flash over palladium-nickel plate, .000030 [0.00076] min. total on the mating surfaces, .000100 [0.00254] min. tin plate on the soldertails, over .000050 [0.00127] min nickel underplate **or** .000030 [0.00076] min. gold on the mating surfaces, .000100 [0.00254] min. tin plate on the soldertails, over .000050 [0.00127] min. nickel underplate.

Note: All part numbers are RoHS compliant.

Universal Ejection Style Pin Headers, Military, Center and Dual Polarized, .100 x .100 [2.54 x 2.54] Centerlines (Continued)

Mounting Information

No mounting hardware is supplied by Tyco Electronics.



Recommended Mounting Hole Pattern For Right-Angle PCB Mount Headers

PC board thicknesses are : .062 [1.57] for .110 [2.79] long posts,
.125 [3.18] for .155 [3.94] long posts.

Universal Ejection Style Pinless Headers, Military, Center and Dual Polarized, .100 x .100 [2.54 x 2.54] Centerlines

**Vertical PCB Mount
.025 [0.64] Sq. Posts
(without latches)**



Pinless Header

Material and Finish

Housing — Black PBT or nylon,
UL 94V-0 rated

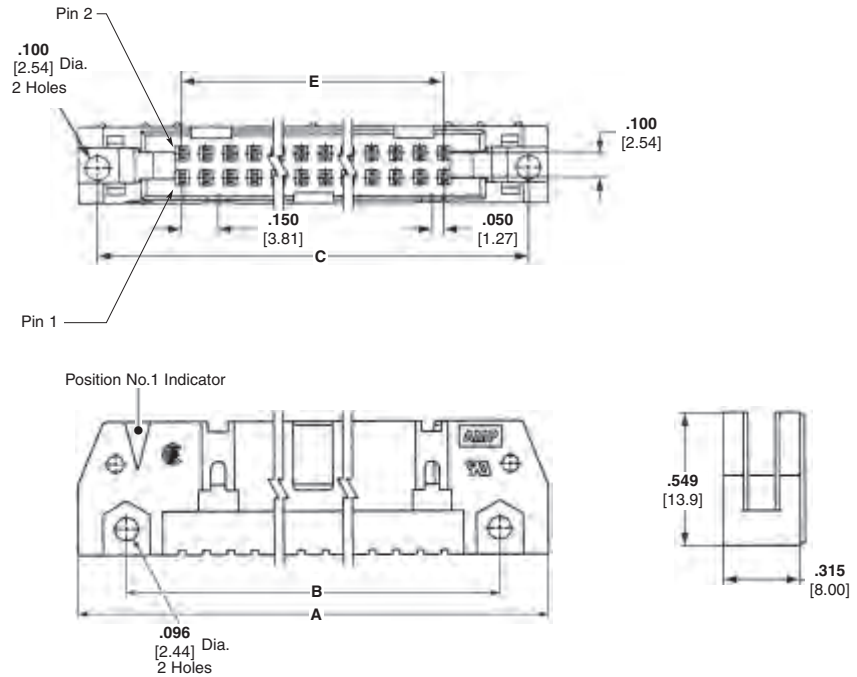
Related Product Data

Mateable Receptacles —
pages 48-55

Accessories —
Snap-In Polarizer — page 63

Technical Documents

Product Specifications
108-40018 Pin Headers



| No. of Pos. | Dimensions | | | | Pinless Header Part Nos. | |
|-------------|-----------------|----------------|----------------|----------------|--------------------------|---------------|
| | A | B | C | E | Press-Fit | Clearance-Fit |
| 10 | 1.260 32.00 | .860 21.84 | 1.100 27.94 | .400 10.16 | 499726-1 | 102142-6 |
| 14 | 1.460 37.08 | 1.060 26.92 | 1.300 33.02 | .600 15.24 | — | 102142-8 |
| 16 | 1.560 39.62 | 1.160 29.46 | 1.400 35.56 | .700 17.78 | — | 102142-9 |
| 20 | 1.760 44.70 | 1.360 34.54 | 1.600 40.64 | .900 22.86 | — | 102142-1 |
| 24 | 1.960 49.78 | 1.560 39.62 | 1.800 45.72 | 1.100 27.94 | — | 1-102142-0 |
| 26 | 2.060 52.32 | 1.660 42.16 | 1.900 48.26 | 1.200 30.48 | — | 102142-2 |
| 34 | 2.460 62.48 | 2.060 52.32 | 2.300 58.42 | 1.600 40.64 | 499726-8 | 102142-3 |
| 40 | 2.760 70.10 | 2.360 59.94 | 2.600 66.04 | 1.900 48.26 | 499726-9 | 102142-4 |
| 50 | 3.260 82.80 | 2.860 72.64 | 3.100 78.74 | 2.400 60.96 | 1-499726-0 | 102142-5 |
| 60 | 3.760 95.50 | 3.360 85.34 | 3.600 91.44 | 2.900 73.66 | 1-499726-1 | 102142-7 |
| 64 | 3.960 100.58 | 3.560 90.42 | 3.800 96.52 | 3.100 78.74 | 1-499726-2 | 1-102142-3 |

Notes: 1. 10- and 14-position pinless headers have only one slot for snap-in polarizer (military polarization).
2. 10-position pinless headers have only one slot for dual polarization.
3. For information regarding latch/pin header applications and for ordering latches separately, refer to page 96.
All part numbers are RoHS compliant.

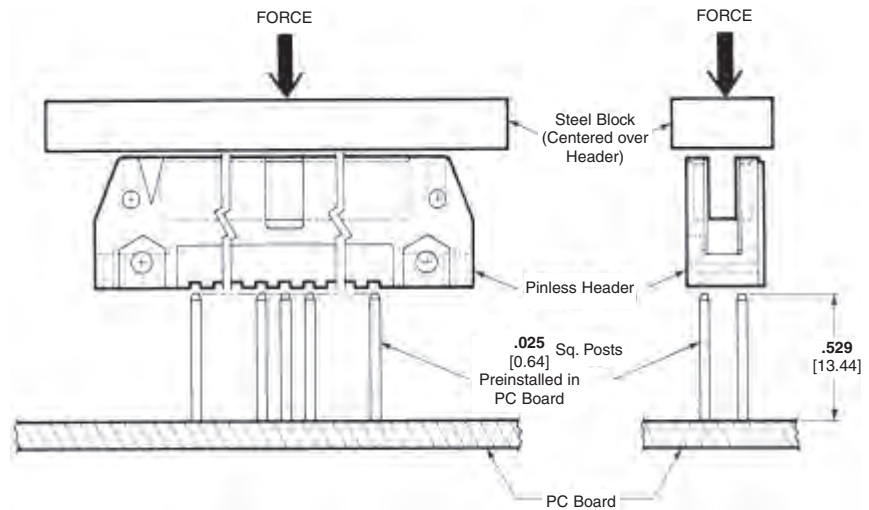
**Military, Center and Dual Polarized
Universal Ejection Style Pinless Headers**

Universal Ejection Style Pinless Headers, Military, Center and Dual Polarized, .100 x .100 [2.54 x 2.54] Centerlines (Continued)

Installation of Press-Fit Pinless Headers

Insertion Instructions:

1. Place pinless header over preinstalled posts so that post tips start into header cavities.
2. With bottom of pc board supported, place steel block over header. Steel block must be wider and longer than header so that it covers all four sides of the header. However, for headers with latches pre-assembled, the steel block must not interfere with the latches.
3. Apply an even, centered force on steel block until header bottoms on pc board. If posts are longer than .545 [13.84], they may be forced against the steel block before the header is fully seated. In this situation, extreme caution must be taken so that posts are not damaged or pushed out of the pc board.



Insertion Force: 60 lb. [267 N] max.

Retention Force: 20 lb. [89 N] min.

Tyco Electronics recommends the use of a typical manual frame assembly for insertion of pinless headers. The frame assembly and steel block are not supplied by Tyco Electronics.

Universal Ejection Style Pin Headers with PCT Housing, .100 x .100 [2.54 x 2.54] Centerlines, .025 [0.64] Sq. Posts (Mating End)

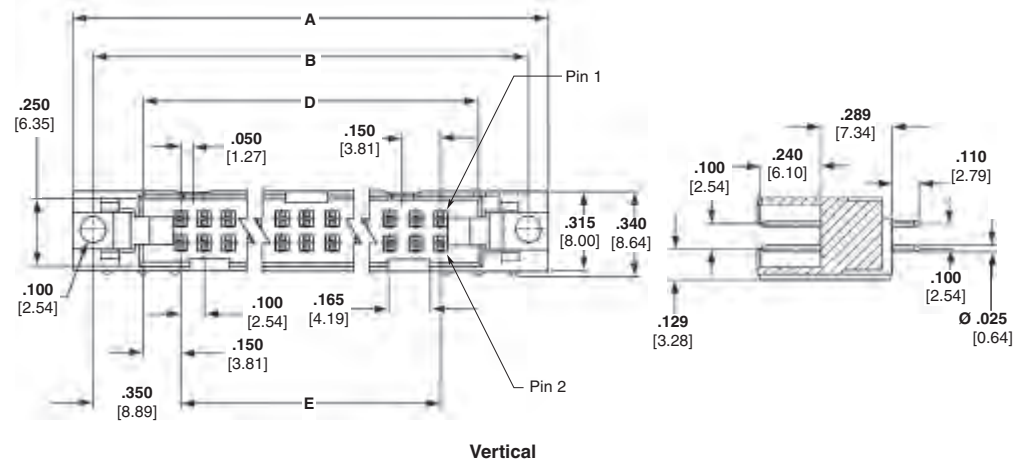
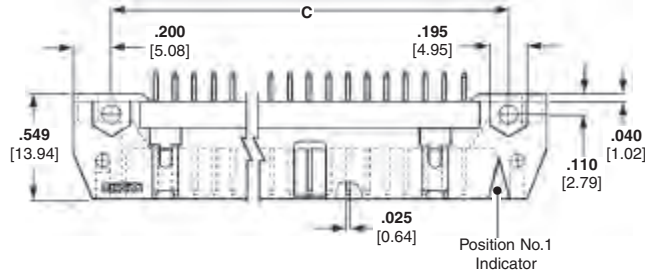
.100 x .100 [2.54 x 2.54], .025 [0.64] Sq. Posts (Mating End)
Universal Ejection Style Pin Headers with PCT Housing



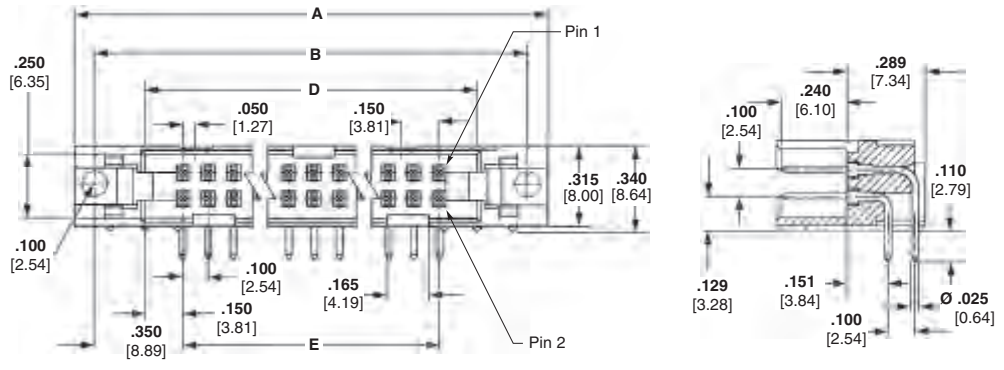
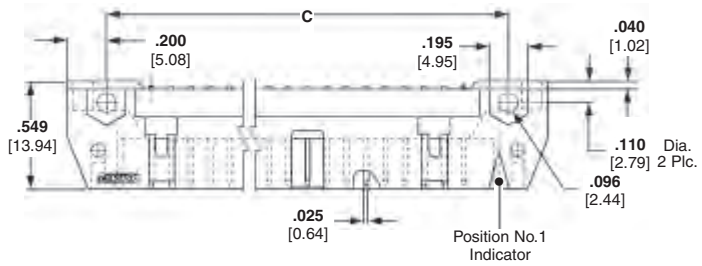
Vertical PCB Mount



Right-Angle PCB Mount



Vertical



Right-Angle

Material and Finish

Housing — Red PCT, UL 94V-0 rated
Contacts — Brass; Gold flash over palladium-nickel plate, .000030 [0.00076] min. total on the mating surfaces, .000100 [0.00254] min. tin plate on the soldertails, over .000050 [0.00127] min. nickel underplate **or** .000030 [0.00076] min. gold on the mating surfaces, .000100 [0.00254] min. tin plate on the soldertails, over .000050 [0.00127] min. nickel underplate

Related Product Data

Mateable Receptacles — pages 48-55

Accessories —
Snap-In Polarizer — page 63

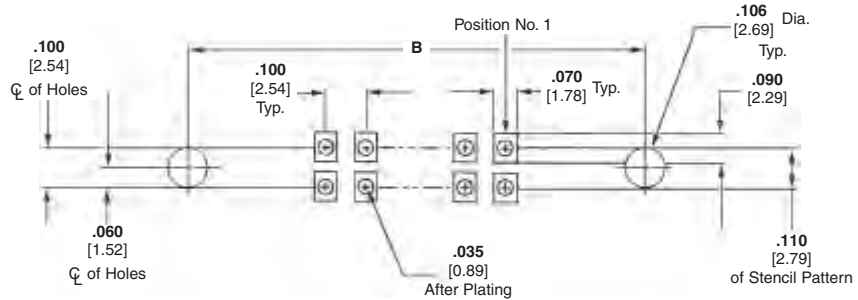
Technical Documents

Product Specifications
 108-40018 Pin Headers

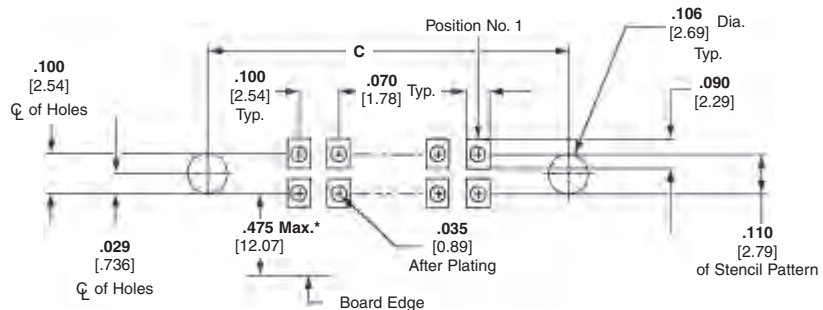
Universal Ejection Style Pin Headers with PCT Housing, .100 x .100 [2.54 x 2.54] Centerlines, .025 [0.64] Sq. Posts (Mating End) (Continued)

| No. of Pos. | Dimensions | | | | | Part Numbers | |
|-------------|-----------------|----------------|----------------|----------------|----------------|---------------------------------------|--|
| | A | B | C | D | E | Vertical Pin Header (without Latches) | Right-Angle Pin Header (without Latches) |
| 10 | 1.260 32.00 | 1.100 27.94 | .860 21.84 | .700 17.78 | .400 10.16 | 5111008-1 | — |
| 14 | 1.460 37.08 | 1.300 33.02 | 1.060 26.92 | .900 22.86 | .600 15.24 | — | 5111105-2 |
| 16 | 1.560 39.62 | 1.400 35.56 | 1.160 29.46 | 1.000 25.40 | .700 17.78 | — | 5111105-3 |
| 20 | 1.760 44.70 | 1.600 40.64 | 1.360 34.54 | 1.200 30.48 | .900 22.86 | — | 5111105-4 |
| 24 | 1.960 49.78 | 1.800 40.64 | 1.560 39.62 | 1.400 35.56 | 1.100 27.94 | 5111008-5 | 5111105-5 |
| 26 | 2.060 52.32 | 1.900 48.26 | 1.660 42.16 | 1.500 38.10 | 1.200 30.48 | — | 5111105-6 |
| 30 | 2.260 57.40 | 2.100 53.34 | 1.860 47.24 | 1.700 43.18 | 1.400 35.56 | 5111008-7 | 5111105-7 |
| 34 | 2.460 62.48 | 2.300 58.42 | 2.060 52.32 | 1.900 48.26 | 1.600 40.64 | 5111008-8 | 5111105-8 |
| 40 | 2.760 70.10 | 2.600 66.04 | 2.360 59.94 | 2.200 55.88 | 1.900 48.26 | 5111008-9 | 5111105-9 |
| 50 | 3.260 82.80 | 3.100 78.74 | 2.860 72.64 | 2.700 68.58 | 2.400 60.98 | 1-5111008-0 | 1-5111105-0 |
| 60 | 3.760 95.50 | 3.600 91.44 | 3.360 85.34 | 3.200 81.28 | 2.900 73.66 | 1-5111008-1 | 1-5111105-1 |
| 64 | 3.960 100.58 | 3.800 96.52 | 3.560 90.42 | 3.400 86.36 | 3.100 78.74 | 1-5111008-2 | 1-5111105-2 |

Note: All part numbers are RoHS compliant.



Recommended PC Board Mounting Pattern for Vertical Header



Recommended PC Board Mounting Pattern for Right-Angle Header

*Max. distance from edge of PC board for daisy chain applications

.100 x .100 [2.54 x 2.54], .025 [0.64] Sq. Posts (Mating End)
Universal Ejection Style Pin Headers with PCT Housing

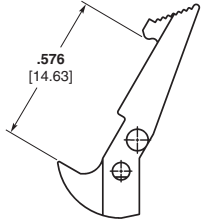
Latches for Ejection Style Universal Pin Headers and Pinless Headers

Latch/Pin Header Applications

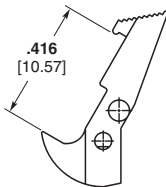
**Latches
for use with AMP-LATCH
Novo Receptacles and
Female Socket
Connectors, 609, 622 &
636 Series**

Material

Red PCT, UL 94V-0 Rated



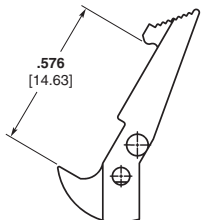
Long Latch Part No. 111338-1
(See Figure 1)



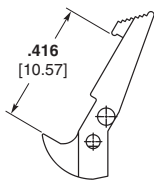
Short Latch Part No. 111293-1
(See Figure 2)

Material

Black thermoplastic, UL 94V-0 Rated



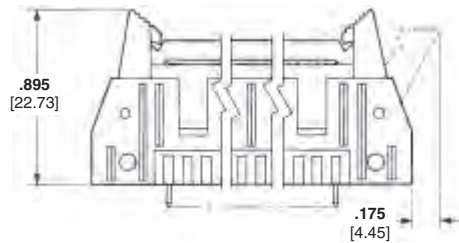
Long Latch Part No. 102320-1
(See Figure 1)



Short Latch Part No. 102312-1
(See Figure 2)



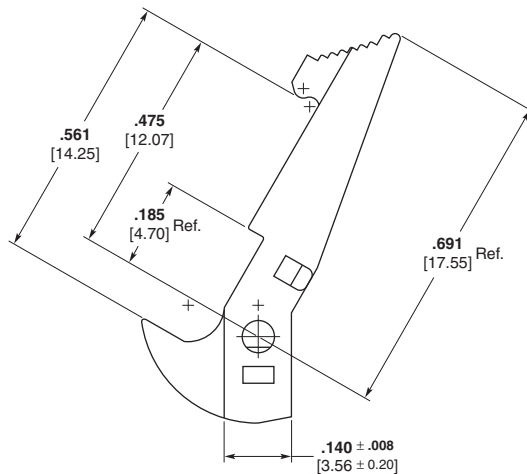
**Figure 1 — Use Long Latch for
AMP-LATCH Novo Receptacles with Strain Relief &
Female Socket Connectors with Strain Relief**



**Figure 2 — Use Short Latch for
AMP-LATCH Novo Receptacles without Strain Relief &
Female Socket Connectors without Strain Relief**

Material

Black thermoplastic, UL 94V-0 Rated



**Special Long Latch Part No. 1825851-1 for
AMPMODU Mod IV Housing with Center Polarization Key**

Note: All part numbers are RoHS compliant.

Latches for Ejection Style Pin Headers and Pinless Headers

Cable Solutions

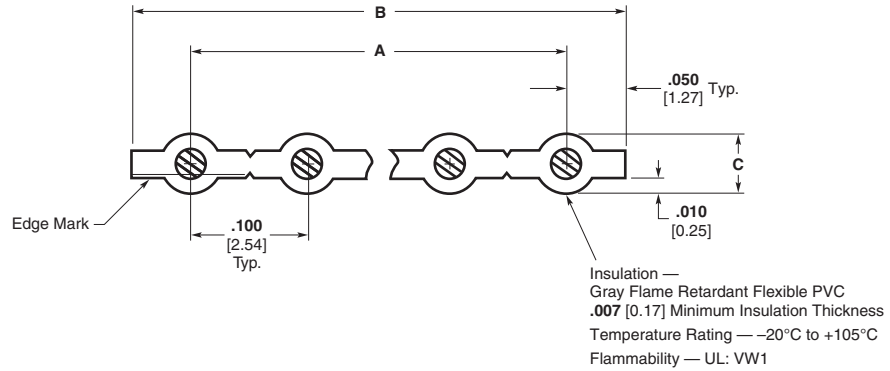
**.100 [2.54] Centerline,
IDC Ribbon Cable,
PVC Insulation**

Product Specifications

Voltage Rating — 300 Volts

UL Recognized — AWM Style 2651

CSA — Available on request



| No. of Conductors | Dimensions | | | Part Number |
|---|---------------|---------------|-------------|-------------|
| | A | B | C | |
| 24 AWG 7/32 Tinned Copper | | | | |
| 2 | .100 [2.54] | .200 [5.08] | .044 [1.12] | 57746-2 |
| 5 | .400 [10.16] | .500 [12.70] | .044 [1.12] | 57746-5 |
| 10 | .900 [22.86] | 1.000 [25.40] | .044 [1.12] | 1-57746-0 |
| 15 | 1.400 [35.56] | 1.500 [38.10] | .044 [1.12] | 1-57746-5 |
| 20 | 1.900 [48.26] | 2.000 [50.80] | .044 [1.12] | 2-57746-0 |
| 25 | 2.400 [60.96] | 2.500 [63.50] | .044 [1.12] | 2-57746-5 |
| 28 | 2.700 [68.58] | 2.800 [71.12] | .044 [1.12] | 2-57746-8 |
| 26 AWG 7/34 Tinned Copper | | | | |
| 2 | .100 [2.54] | .200 [5.08] | .039 [0.99] | 57744-2 |
| 5 | .400 [10.16] | .500 [12.70] | .039 [0.99] | 57744-5 |
| 10 | .900 [22.86] | 1.000 [25.40] | .039 [0.99] | 1-57744-0 |
| 15 | 1.400 [35.56] | 1.500 [38.10] | .039 [0.99] | 1-57744-5 |
| 20 | 1.900 [48.26] | 2.000 [50.80] | .039 [0.99] | 2-57744-0 |
| 25 | 2.400 [60.96] | 2.500 [63.50] | .039 [0.99] | 2-57744-5 |
| 28 | 2.700 [68.58] | 2.800 [71.12] | .039 [0.99] | 2-57744-8 |
| 26 AWG 7/34 Overcoated Tinned Copper | | | | |
| 2 | .100 [2.54] | .200 [5.08] | .039 [0.99] | 57745-2 |
| 5 | .400 [10.16] | .500 [12.70] | .039 [0.99] | 57745-5 |
| 10 | .900 [22.86] | 1.000 [25.40] | .039 [0.99] | 1-57745-0 |
| 15 | 1.400 [35.56] | 1.500 [38.10] | .039 [0.99] | 1-57745-5 |
| 20 | 1.900 [48.26] | 2.000 [50.80] | .039 [0.99] | 2-57745-0 |
| 25 | 2.400 [60.96] | 2.500 [63.50] | .039 [0.99] | 2-57745-5 |
| 28 | 2.700 [68.58] | 2.800 [71.12] | .039 [0.99] | 2-57745-8 |

| No. of Conductors | Dimensions | | | Part Number |
|---|---------------|---------------|-------------|-------------|
| | A | B | C | |
| 24 AWG 7/32 Overcoated Tinned Copper | | | | |
| 2 | .100 [2.54] | .200 [5.08] | .044 [1.12] | 57747-2 |
| 5 | .400 [10.16] | .500 [12.70] | .044 [1.12] | 57747-5 |
| 10 | .900 [22.86] | 1.000 [25.40] | .044 [1.12] | 1-57747-0 |
| 15 | 1.400 [35.56] | 1.500 [38.10] | .044 [1.12] | 1-57747-5 |
| 20 | 1.900 [48.26] | 2.000 [50.80] | .044 [1.12] | 2-57747-0 |
| 25 | 2.400 [60.96] | 2.500 [63.50] | .044 [1.12] | 2-57747-5 |
| 28 | 2.700 [68.58] | 2.800 [71.12] | .044 [1.12] | 2-57747-8 |
| 22 AWG 7/30 Tinned Copper | | | | |
| 2 | .100 [2.54] | .200 [5.08] | .051 [1.30] | 57748-2 |
| 5 | .400 [10.16] | .500 [12.70] | .051 [1.30] | 57748-5 |
| 10 | .900 [22.86] | 1.000 [25.40] | .051 [1.30] | 1-57748-0 |
| 15 | 1.400 [35.56] | 1.500 [38.10] | .051 [1.30] | 1-57748-5 |
| 20 | 1.900 [48.26] | 2.000 [50.80] | .051 [1.30] | 2-57748-0 |
| 25 | 2.400 [60.96] | 2.500 [63.50] | .051 [1.30] | 2-57748-5 |
| 28 | 2.700 [68.58] | 2.800 [71.12] | .051 [1.30] | 2-57748-8 |

Other Conductor Counts Available on Request.

Contact MADISON CABLE (1-877-MADISON), a Division of Tyco Electronics Corporation, for engineering questions or for order placement of this cable.

Cable Solutions (Continued)

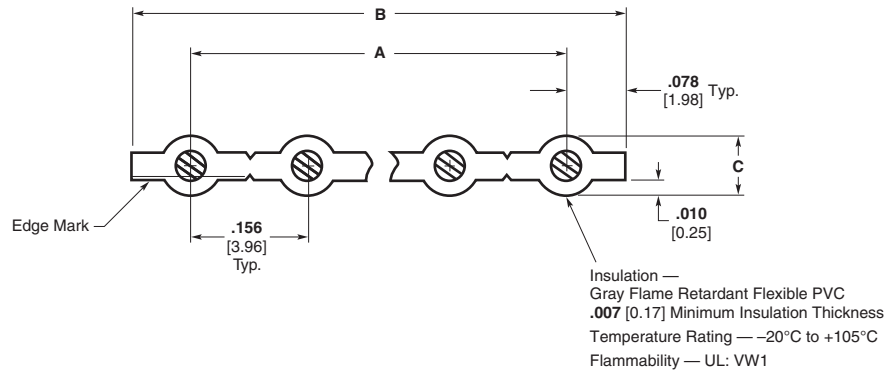
**.156 [3.96] Centerline,
Flat Ribbon Cable,
PVC Insulation**

Product Specifications

Voltage Rating — 300 Volts

UL Recognized — AWM Style 2651

CSA — Available on request



| No. of Conductors | Dimensions | | | Part Number |
|----------------------------------|---------------|---------------|-------------|-------------|
| | A | B | C | |
| 22 AWG 7/30 Tinned Copper | | | | |
| 2 | .156 [3.96] | .312 [7.92] | .051 [1.30] | 57750-2 |
| 5 | .624 [15.85] | .780 [19.81] | .051 [1.30] | 57750-5 |
| 10 | 1.404 [35.66] | 1.560 [39.62] | .051 [1.30] | 1-57750-0 |
| 15 | 2.184 [55.47] | 2.340 [59.44] | .051 [1.30] | 1-57750-5 |
| 20 | 2.964 [75.29] | 3.120 [79.25] | .051 [1.30] | 2-57750-0 |
| 24 | 3.588 [91.14] | 3.744 [95.10] | .051 [1.30] | 2-57750-4 |
| 18 AWG 7/26 Tinned Copper | | | | |
| 2 | .156 [3.96] | .312 [7.92] | .068 [1.73] | 57752-2 |
| 5 | .624 [15.85] | .780 [19.81] | .068 [1.73] | 57752-5 |
| 10 | 1.404 [35.66] | 1.560 [39.62] | .068 [1.73] | 1-57752-0 |
| 15 | 2.184 [55.47] | 2.340 [59.44] | .068 [1.73] | 1-57752-5 |
| 20 | 2.964 [75.29] | 3.120 [79.25] | .068 [1.73] | 2-57752-0 |
| 24 | 3.588 [91.14] | 3.744 [95.10] | .068 [1.73] | 2-57752-4 |

Other Conductor Counts Available on Request.

Contact MADISON CABLE (1-877-MADISON), a Division of Tyco Electronics Corporation, for engineering questions or for order placement of this cable.

Part Number Index

Note: This index lists all cataloged parts by base no. only. Complete part nos. (with prefixes and/or suffixes) are shown on the page(s) indicated.

| Part No. | Page | Part No. | Page | Part No. | Page |
|----------|--------------------|----------|------------------------|----------|------|
| 19156 | 86 | 215460 | 32, 33, 35, 38, 40, 41 | 1761607 | 81 |
| 57034 | 47 | 215464 | 32, 33, 37, 41 | 1761608 | 80 |
| 57040 | 47 | 215570 | 32, 33, 39 | 1761609 | 81 |
| 57744 | 97 | 338068 | 41 | 1761685 | 82 |
| 57745 | 97 | 338069 | 41 | 1761686 | 82 |
| 57746 | 97 | 338070 | 41 | 1761687 | 82 |
| 57747 | 97 | 338095 | 32, 33, 40, 41 | 1761688 | 82 |
| 57748 | 97 | 338096 | 32, 33, 40, 42 | 1761690 | 83 |
| 57750 | 98 | 338097 | 32, 33, 40, 42 | 1761692 | 83 |
| 57752 | 98 | 338728 | 41 | 1761693 | 82 |
| 91085 | 42, 74 | 499252 | 14, 49, 50, 51, 68 | 1761694 | 82 |
| 91112 | 42, 74 | 499712 | 65 | 1825851 | 96 |
| 91295 | 28, 29 | 499726 | 92 | 1888188 | 15 |
| 100411 | 41 | 499991 | 63 | 5088450 | 66 |
| 102142 | 92 | 543518 | 28, 29 | 5102153 | 85 |
| 102198 | 86 | 677410 | 43 | 5102154 | 85 |
| 102312 | 96 | 677412 | 43 | 5102155 | 85 |
| 102320 | 96 | 677463 | 43 | 5102156 | 85 |
| 104068 | 9, 10 | 677499 | 42 | 5102159 | 90 |
| 104069 | 9, 11 | 677894 | 42 | 5102160 | 90 |
| 104072 | 65 | 677895 | 42 | 5102161 | 90 |
| 104652 | 20 | 733278 | 42 | 5102162 | 90 |
| 104655 | 21 | 733280 | 42 | 5102321 | 85 |
| 104656 | 21 | 734024 | 42 | 5102322 | 90 |
| 104693 | 21 | 734155 | 42 | 5103308 | 76 |
| 104891 | 27 | 734870 | 42 | 5103309 | 76 |
| 104892 | 26 | 746383 | 86 | 5103310 | 77 |
| 104893 | 26 | 746603 | 47 | 5103311 | 77 |
| 104894 | 24 | 746610 | 58 | 5104338 | 78 |
| 104895 | 24 | 746611 | 59 | 5104340 | 79 |
| 111196 | 9 | 768340 | 74 | 5111008 | 95 |
| 111293 | 96 | 1377074 | 44 | 5111105 | 95 |
| 111338 | 96 | 1437006 | 56 | 5111448 | 46 |
| 111382 | 58 | 1437011 | 69 | 5111595 | 12 |
| 111446 | 45 | 1437020 | 67 | 5111824 | 15 |
| 111451 | 63 | 1437021 | 67 | 5499141 | 90 |
| 111492 | 45 | 1437022 | 67 | 5499160 | 85 |
| 111494 | 46 | 1437023 | 64, 69 | 5499206 | 85 |
| 111504 | 45 | 1437024 | 69 | 5499345 | 90 |
| 111506 | 46 | 1437025 | 69 | 5499374 | 85 |
| 111547 | 67 | 1437026 | 69 | 5499376 | 90 |
| 111614 | 68 | 1437027 | 69 | 5499786 | 90 |
| 111620 | 64 | 1437028 | 69 | 5499910 | 85 |
| 111623 | 17 | 1437029 | 69 | 5499911 | 85 |
| 111626 | 17 | 1499252 | 68 | 5499913 | 90 |
| 120623 | 63 | 1658525 | 57 | 5499914 | 90 |
| 147121 | 21 | 1658526 | 55 | 5499922 | 85 |
| 147381 | 21 | 1658527 | 53 | 5499923 | 85 |
| 147382 | 21 | 1658528 | 53 | 5499925 | 90 |
| 147383 | 21 | 1658618 | 14 | 5746612 | 59 |
| 147384 | 20 | 1658619 | 14 | 5746613 | 59 |
| 147413 | 20 | 1658620 | 49 | 5746615 | 60 |
| 147503 | 21 | 1658621 | 50 | 6437006 | 61 |
| 174638 | 62 | 1658622 | 50 | 6489700 | 15 |
| 174903 | 62 | 1658623 | 49 | | |
| 175629 | 62 | 1658624 | 51 | | |
| 175637 | 62 | 1658694 | 88 | | |
| 188275 | 32, 33, 36, 40, 41 | 1658695 | 88 | | |
| 188431 | 41 | 1734161 | 15 | | |
| 215079 | 32, 33, 34, 38, 40 | 1734162 | 15 | | |
| 215083 | 32, 33, 38, 41 | 1761606 | 80 | | |

Engineering Notes



Engineering Notes



Engineering Notes



Americas

Argentina – Buenos Aires
Phone: +54-11-4733-2200
Fax: +54-11-4733-2211

Brasil – São Paulo
Phone: +55-11-2103-6000
Fax: +55-11-2103-6030

Chile – Santiago
Phone: +56-2-345-0361
Fax: +56-2-223-1477

Canada – Toronto
Phone: +905-475-6222
Fax: +905-474-5520
Product Information Center:
Phone: +905-470-4425
Fax: +905-474-5525

Colombia – Bogota
Phone: +57-1-319-8959
Fax: +57-1-319-8960

Mexico – Mexico City
Phone: +52-55-1106-0800
+01-800-733-8926
Fax: +52-55-1106-0901

For Latin/South American Countries not shown
Phone: +54-11-4733-2015
Fax: +54-11-4733-2083

United States
Harrisburg, PA
Phone: +1-717-564-0100
Fax: +1-717-986-7575
Product Information Center:
Phone: +1-800-522-6752
Fax: +1-717-986-7575
Troy, MI
Phone: +1-248-273-3359
Fax: +1-248-273-3322

Asia/Pacific

Australia – Sydney
Phone: +61-2-9554-2600
Fax: +61-2-9502-2556
Product Information Center:
Phone: +61-2-9840-8200
Fax: +61-2-9634-6188

India – Bangalore
Phone: +91-80-285-40800
Fax: +91-80-285-40820

Indonesia – Jakarta
Phone: +65-6482-0311
Fax: +65-6482-1012

Japan – Kawasaki, Kanagawa
Phone: +81-44-844-8111
Fax: +81-44-812-3207
Product Information Center:
Phone: +81-44-844-8013
Fax: +81-44-812-3200

Korea – Seoul
Phone: +82-2-3415-4500
Fax: +82-2-3486-3810

Malaysia – Selangor
Phone: +60-3-7805-3055
Fax: +60-3-7805-3066

New Zealand – Auckland
Phone: +64-9-634-4580
Fax: +64-9-634-4586

Philippines – Makati City
Phone: +632-848-0171
Fax: +632-867-8661

People's Republic of China
Hong Kong
Phone: +852-2735-1628
Fax: +852-2735-0243
Shanghai
Phone: +86-21-2407-1588
Fax: +86-21-2407-1599

Singapore – Singapore
Phone: +65-6482-0311
Fax: +65-6482-1012

Taiwan – Taipei
Phone: +886-2-8768-2788
Fax: +886-2-8768-2268

Thailand – Bangkok
Phone: +66-2-955-0500
Fax: +66-2-955-0505

Vietnam – Ho Chi Minh City
Phone: +84-8-930-5546
Fax: +84-8-930-3443

Europe/Middle East/Africa

Austria – Vienna
Phone: +43-1-905-60-0
Fax: +43-1-905-60-1333
Product Information Center:
Phone: +43-1-905-60-1249
Fax: +43-1-905-60-1251

Belarus – Minsk
Phone: +375 17 237 47 94
Fax: +375 17 237 47 94

Belgium – Kessel-Lo
Phone: +32-16-352-300
Fax: +32-16-352-355

Bulgaria – Sofia
Phone: +359-2-971-2152
Fax: +359-2-971-2153

Czech Republic and Slovakia
Czech Republic – Kurim
Phone: +420-541-162-111
Fax: +420-541-162-223
Product Information Center:
Phone: +420-541-162-113
Fax: +420-541-162-132

Denmark – Glostrup
Phone: +45-43-48-04-00
Fax: +45-43-44-14-14

Egypt – Cairo
Phone: +202-419-2334
Fax: +202-417-7647

Estonia – Tartu
Phone: +372-5138-274
Fax: +372-7400-779

Finland – Helsinki
Phone: +358-95-12-34-20
Fax: +358-95-12-34-250

France – Cergy-Pontoise Cedex
Phone: +33-1-3420-8888
Fax: +33-1-3420-8600
Product Information Center:
Phone: +33-1-3420-8686
Fax: +33-1-3420-8623

France Export Divisions –
Cergy-Pontoise Cedex
Phone: +33-1-3420-8804
Fax: +33-1-3420-8699

Germany – Bensheim
Phone: +49-6251-133-0
Fax: +49-6251-133-1600
Product Information Center:
Phone: +49-6251-133-1999
Fax: +49-6251-133-1988

Greece – Athens
Phone: +30-210-9370-396/397
Fax: +30-210-9370-655

Hungary – Budapest
Phone: +36-1-289-1000
Fax: +36-1-289-1010
Product Information Center:
Phone: +36-1-289-1016
Fax: +36-1-289-1017

Ireland – Dublin
Phone: +353-1-866-5612
Fax: +353-1-866-5714

Israel – Petach-Tikva
Phone: +972-3-929-0999
Fax: +972-3-919-1088

Italy – Collegno (Torino)
Phone: +39-011-4012-111
Fax: +39-011-4031-116
Product Information Center:
Phone: +39-011-4012-428
Fax: +39-011-40-287-428

Lithuania and Latvia
Lithuania – Vilnius
Phone: +370-5-213-1402
Fax: +370-5-213-1403
Product Information Center:
Phone: +370-5-211-3016
Fax: +370-5-213-1403

Netherlands – 's-Hertogenbosch
Phone: +31-73-6246-246
Fax: +31-73-6212-365
Product Information Center:
Phone: +31-73-6246-999
Fax: +31-73-6246-998

Norway – Nesbru
Phone: +47-66-77-88-50
Fax: +47-66-77-88-55

Poland – Warsaw
Phone: +48-22-4576-700
Fax: +48-22-4576-720
Product Information Center:
Phone: +48-22-4576-704
Fax: +48-22-4576-720

Romania – Bucharest
Phone: +40-21-311-3479/3596
Fax: +40-21-312-0574

Russia – Moscow
Phone: +7-495-790-7902
Fax: +7-495-721-1893
Product Information Center:
Phone: +7-495-790-7902-404
Fax: +7-495-790-7902-401

Russia – St. Petersburg
Phone: +7-812-718-8192
Fax: +7-812-718-8193

Slovenia – Ljubljana
Phone: +386-1561-3270
Fax: +386-1561-3240

South Africa – Port Elizabeth
Phone: +27-41-503-4500
Fax: +27-41-581-0440

Spain – Barcelona
Phone: +34-93-291-0330
Fax: +34-93-201-7879

Sweden – Upplands Väsby
Phone: +46-8-50-72-50-00
Fax: +46-8-50-72-50-01

Switzerland – Steinach
Phone: +41-71-447-0447
Fax: +41-71-447-0444

Turkey – Istanbul
Phone: +90-212-281-8181/2/3
+90-212-282-5130/5430
Fax: +90-212-281-8184

Ukraine – Kiev
Phone: +380-44-206-2265
Fax: +380-44-206-2264
Product Information Center:
Phone: +380-44-206-2265
Fax: +380-44-206-2264

United Kingdom –
Stanmore, Middlesex
Phone: +44-8706-080208
Fax: +44-208-954-6234
Product Information Center:
Freephone (UK only):
0800-267-666
Phone: +44-8706-080208
Fax: +44-208-420-8095

Tyco Electronics Corporation
Harrisburg, PA

TE (logo) and Tyco Electronics are trademarks of the Tyco Electronics group of companies and its licensors.

tycoelectronics.com

82012-2.5M-CIS-FP-10-09

