

.070 MULTILOCK Connectors Wire to wire Applications

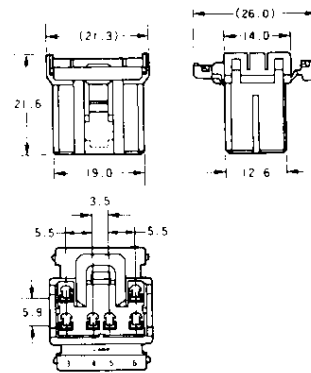
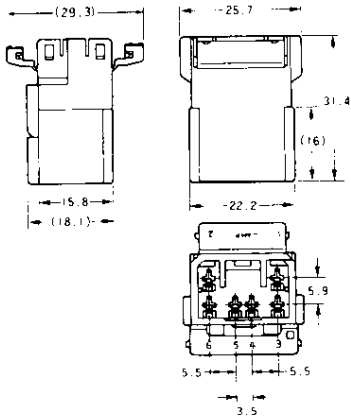
Cap

Plug

Part Number : 175657-□

6
Pos.

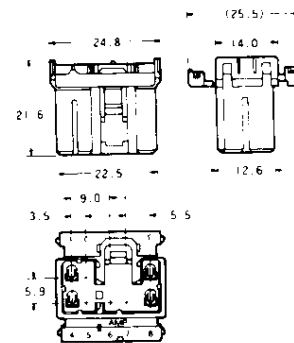
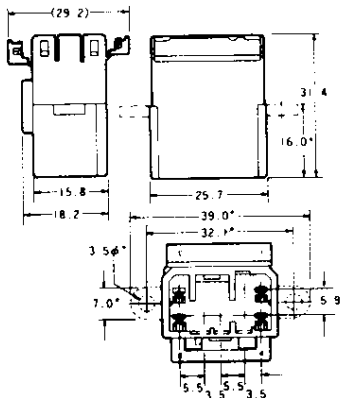
Part Number : 175658-□



Part Number : 174931-□
Part Number : 174937-□ (Panel Mount Type)

8
Pos.

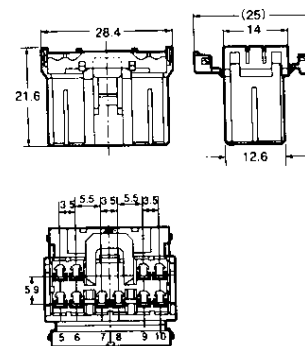
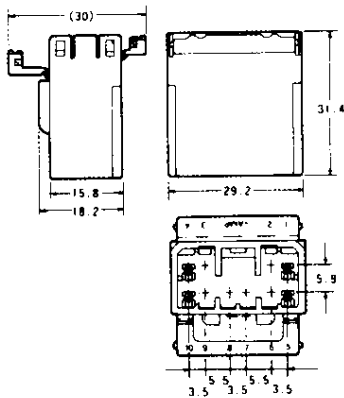
Part Number : 173850-□



Part Number : 174932-□

10
Pos.

Part Number : 174465-□



*The material of housing is of PBT.
*The figures in □ after part numbers vary according to housing colors, etc.