

Receptacle Housings

Technical Features

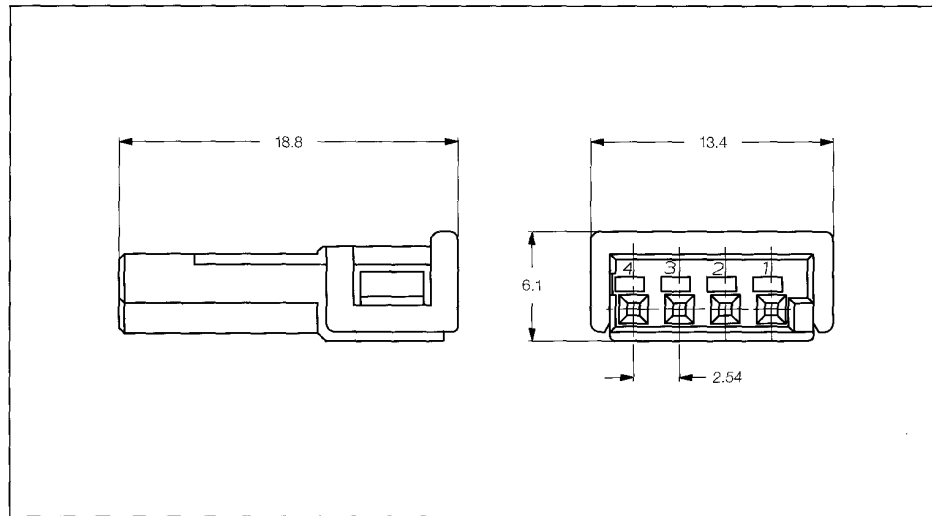
No. of Positions:
4 Positions

Housing Material:
PA 66

Wire Size Range:
0.2-0.75 mm²

Product Specification:
108-18597-1

Application Specification:
114-18223-1



4 Position Receptacle Housings

No. of Pos.	Keying Options	Housing Color	Part Numbers							
			Receptacle Housing	Cover	Locking Device	Cover and Lever	Retainer Housing	Mating Tab Housing	Mating PCB Header Right-Angle	Mating PCB Header Vertical
4	Z	Black	1241634-1							
	B	Black	1241634-2	-	-	-	-	-	-	-
	C	Black	1241634-3							

Technical Features

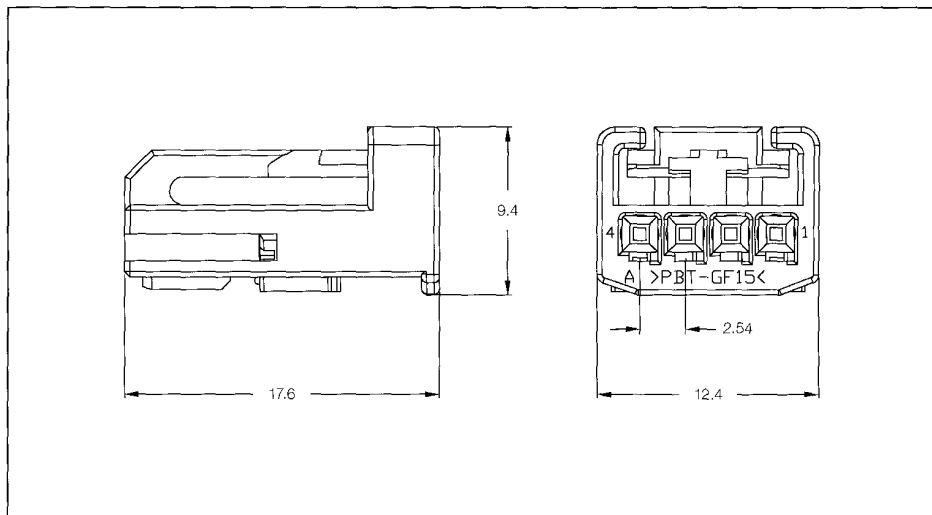
No. of Positions:
4 Positions Assembly

Housing Material:
PBT GF15

Wire Size Range:
0.2-0.75 mm²

Product Specification:
108-18030

Application Specification:
114-18021



4 Position Receptacle Housings

No. of Pos.	Keying Options	Housing Color	Part Numbers							
			Receptacle Housing	Cover	Locking Device	Cover and Lever	Retainer Housing	Mating Tab Housing	Mating PCB Header Right-Angle	Mating PCB Header Vertical
4	-	Black	936119-1							
	-	Yellow	936119-2	-	-	-	-	936121	-	936399
	-	Yellow	1-936119-2							