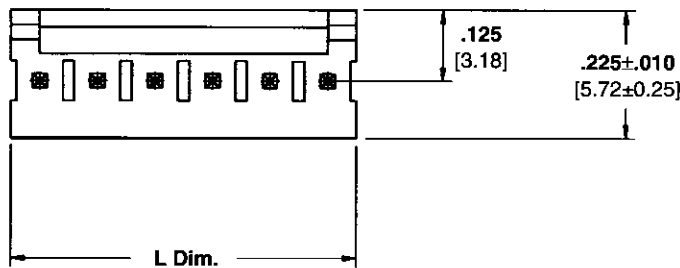


MTA-100 Positive Lock Headers

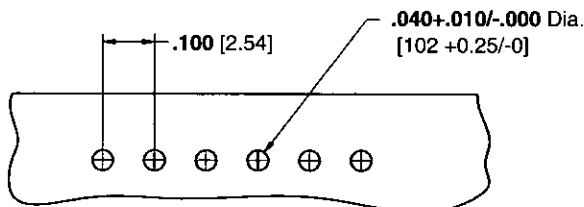
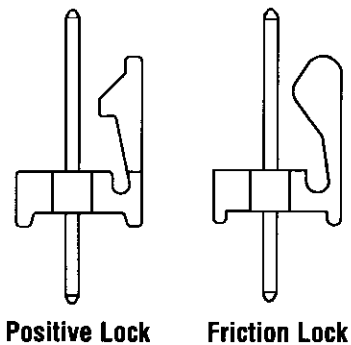
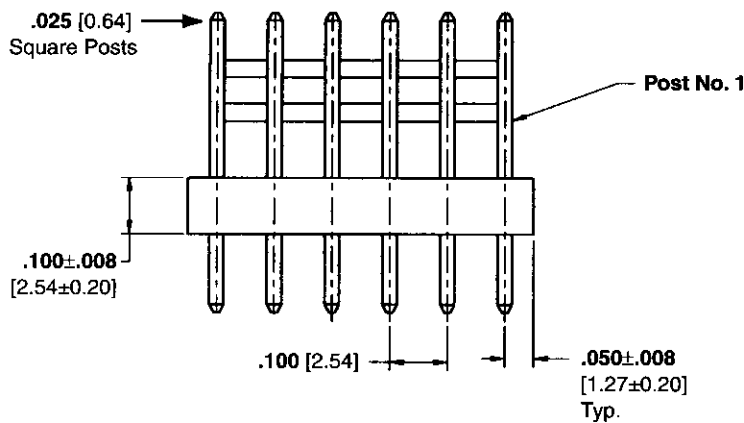
STANDARDS & SPECS

- Product Specification: 108-1050
- Application Specification: 114-1019
- UL Recognition File No. E28476
- CSA Certification File No. LR7189

PRODUCT DIMENSIONS



MTA-100 Vertical Header Assembly



Recommended Mounting Hole Pattern
for .063 [1.6] Thick P.C. Board

PRODUCT OFFERING

No. of Positions	Dimension L	Part Numbers	
		Positive Lock	Friction Lock*
2	.200 [5.08]	647532-2	640456-2
3	.300 [7.62]	647532-3	640456-3
4	.400 [10.16]	647532-4	640456-4
5	.500 [12.70]	647532-5	640456-5
6	.600 [15.24]	647532-6	640456-6

*Available in 2 through 28 positions
Samples available for part number 647532-3.