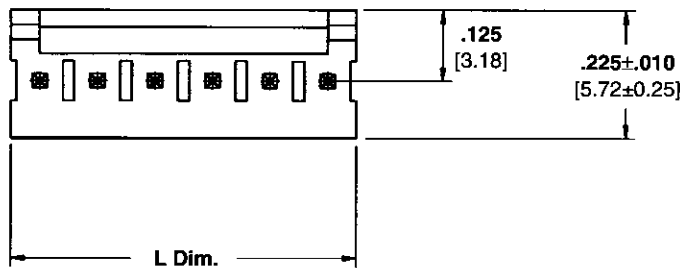


# MTA-100 Positive Lock Headers

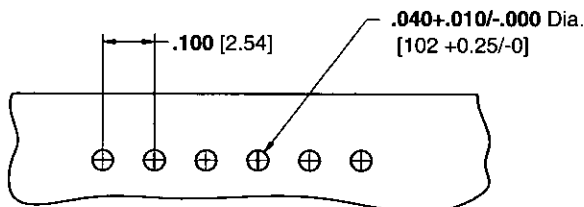
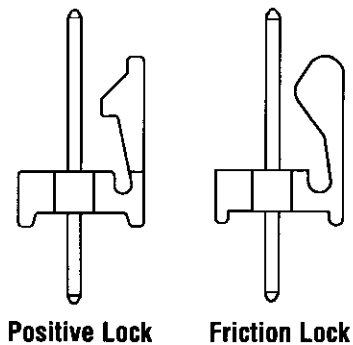
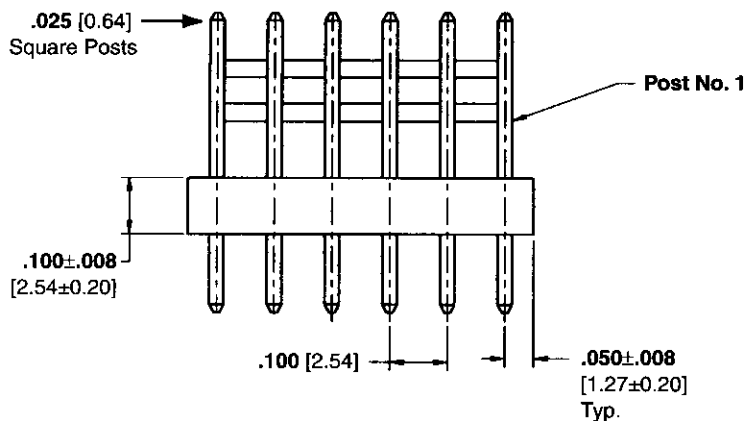
## STANDARDS & SPECS

- Product Specification: 108-1050
- Application Specification: 114-1019
- UL Recognition File No. E28476
- CSA Certification File No. LR7189

## PRODUCT DIMENSIONS



### MTA-100 Vertical Header Assembly



Recommended Mounting Hole Pattern  
for .063 [1.6] Thick P.C. Board

## PRODUCT OFFERING

| No. of Positions | Dimension L  | Part Numbers  |                |
|------------------|--------------|---------------|----------------|
|                  |              | Positive Lock | Friction Lock* |
| 2                | .200 [5.08]  | 647532-2      | 640456-2       |
| 3                | .300 [7.62]  | 647532-3      | 640456-3       |
| 4                | .400 [10.16] | 647532-4      | 640456-4       |
| 5                | .500 [12.70] | 647532-5      | 640456-5       |
| 6                | .600 [15.24] | 647532-6      | 640456-6       |

\*Available in 2 through 28 positions  
Samples available for part number 647532-3.