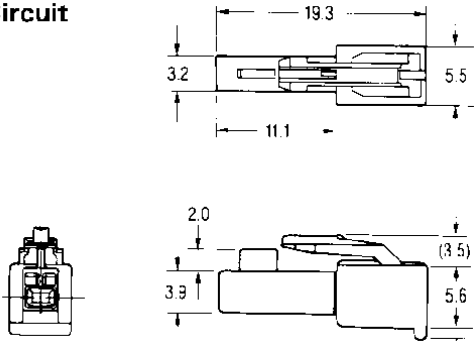


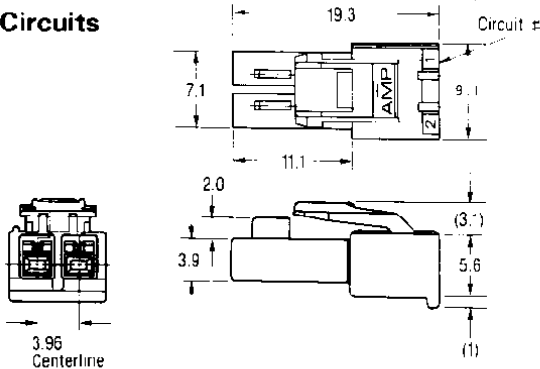
### Plug Housings

(Applicable Contact P/N: 175151-□, 175152-□)

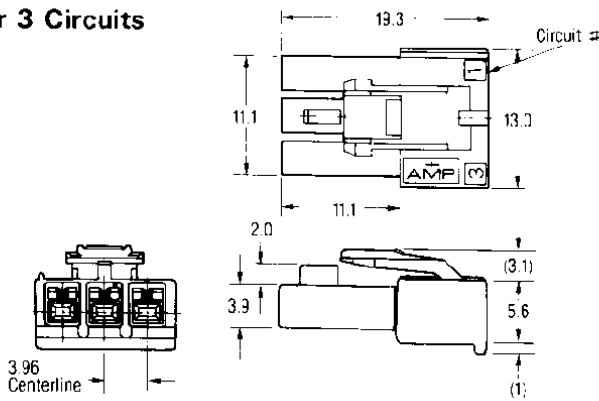
#### For 1 Circuit



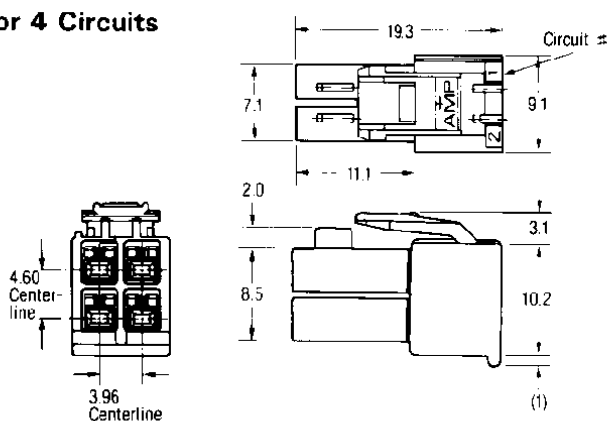
#### For 2 Circuits



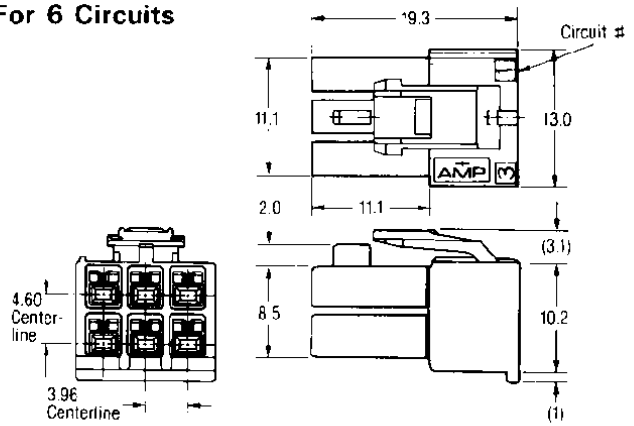
#### For 3 Circuits



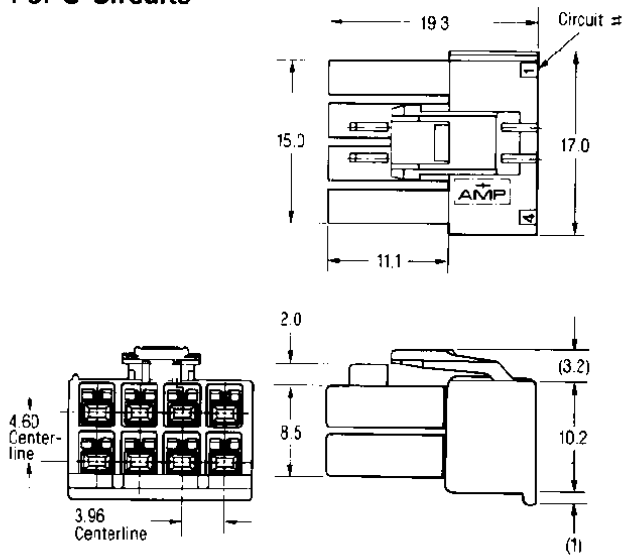
#### For 4 Circuits



#### For 6 Circuits



#### For 8 Circuits



**Material:** JL 94V-0 rated, 6/6 Nylon

No. of Circuit	Part Numbers	Housing Color (for suffixed no.)
1	176270-□	-1—Natural
2	176271-□	-2—Red
3	176272-□	-4—Yellow
4	176273-□	-6—Blue
6	176274-□	-9—Brack
8	176275-□	