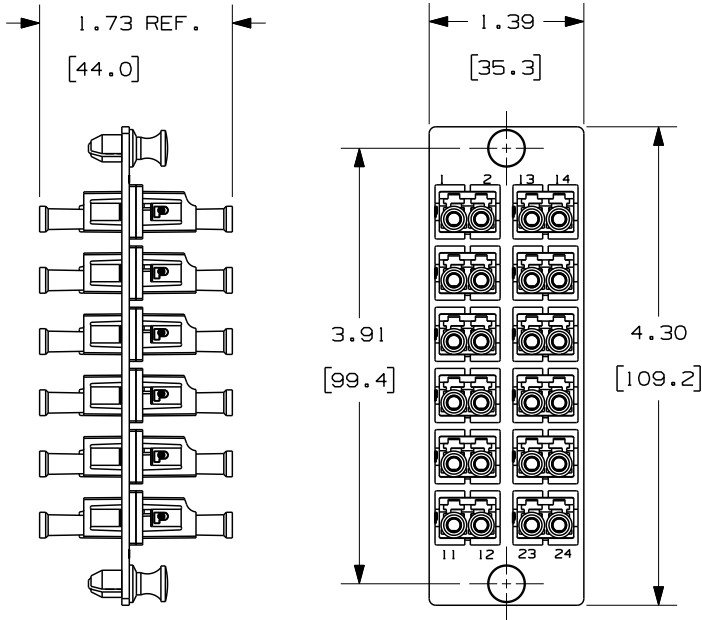


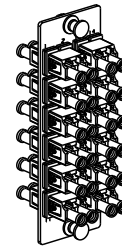
THIS COPY IS PROVIDED ON A RESTRICTED BASIS AND IS NOT TO BE USED IN ANY WAY DETRIMENTAL TO THE INTERESTS OF PANDUIT CORP.



| PANDUIT P/N | ADAPTER COLOT | SPLIT SLEEVE TYPE |
|--------------|----------------|-------------------|
| FAP12WE1DLC | ELECTRIC IVORY | PHOS BRONZE |
| FAP12WAODLC | AQUA | |
| FAP12WB1DLC | BLACK | |
| FAP12WBUDLCZ | BLUE | ZIRCONIA |
| FAP12WAODLCZ | AQUA | |

NOTES:

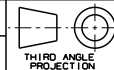
- SEE CURRENT CATALOG FOR PART NUMBER SUFFIXES TO INDICATE COLOR AND/OR PACKAGE QUANTITIES.
- SEE CATALOG FOR COMPLETE LIST OF PARTS APPLICABLE FOR USE WITH THIS PRODUCT.
- MATERIALS:
 - PLATE: C.R.S. POWDER COATED
 - ADAPTER: COMPOSITE, ELECTRIC IVORY, BLUE OR AQUA.
 - SPLIT SLEEVE: SEE TABLE.
- DIMENSIONS IN BRACKETS ARE METRIC.



12 POSITION
 DUPLEX LC FIBER ADAPTER PANEL
 CUSTOMER DRAWING



PANDUIT™
 CORP.
 TINLEY PARK, ILL 60477



ALL DIMENSIONS ARE GIVEN IN INCHES.
 UNLESS OTHERWISE SPECIFIED,
 DIMENSIONAL TOLERANCES ARE:
 (.X) (.XXX) ± .010 (.0.3)
 (.XX) ± .03 (.0.8) ANGLES

DRAWING FILENAME
 MO1945AE_DC/01A

SCALE
 NONE

DRAWN BY
 MYW

REVIEW DRAWING NUMBERS

PART NO.
 SEE TABLE

DATE
 04-21-05

SEE NOTES

DRAWING NO.
 01945-14

SIZE
 A

| REV | DATE | BY | CHK | DESCRIPTION | ECN | R | CUST | SUP | OTH | CHK'D |
|-----|----------|-----|-----|------------------------|----------|---|------|-----|-----|-------|
| 03 | 01-31-11 | EFK | | RELEASED TO PRODUCTION | 01945-14 | | | | | TMS |