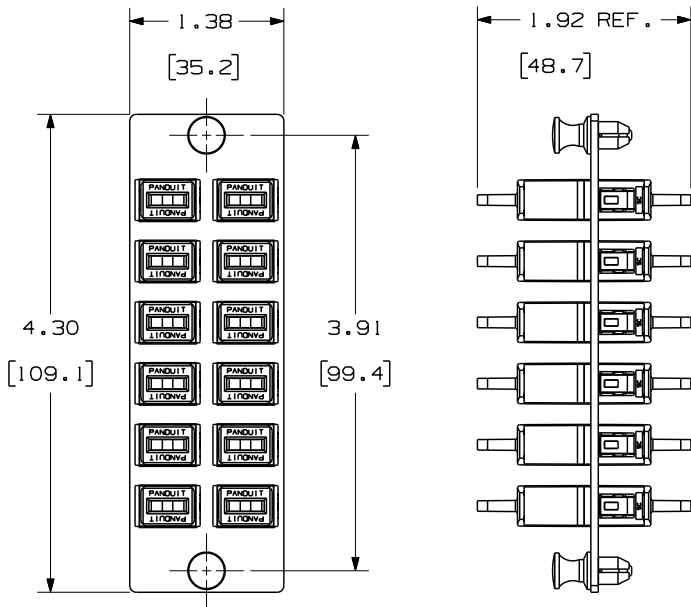


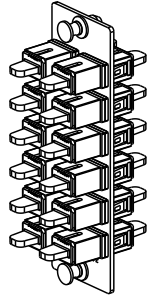
THIS COPY IS PROVIDED ON A RESTRICTED BASIS AND IS NOT TO BE USED IN ANY WAY DETRIMENTAL TO THE INTERESTS OF PANDUIT CORP.



PANDUIT P/N	ADAPTER COLOR	SPLIT SLEEVE TYPE
FAP12WE1SC	ELECTRIC IVORY	PHOS BRONZE
FAP12WBLSC	BLACK	PHOS BRONZE
FAP12WBUSCZ	BLUE	ZIRCONIA
FAP12WAGSCZ	APC GREEN	ZIRCONIA

NOTES:

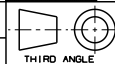
- SEE CURRENT CATALOG FOR PART NUMBER SUFFIXES TO INDICATE COLOR AND/OR PACKAGE QUANTITIES.
- SEE CATALOG FOR COMPLETE LIST OF PARTS APPLICABLE FOR USE WITH THIS PRODUCT.
- MATERIALS:
  - PLATE: C.R.S. POWDER COATED
  - ADAPTER: COMPOSITE
  - SPLIT SLEEVE: SEE TABLE
- DIMENSIONS IN BRACKETS ARE METRIC.



12 POSITION  
SIMPLEX SC FIBER ADAPTER PANEL  
CUSTOMER DRAWING



**PANDUIT**™  
CORP.  
TINLEY PARK, ILL 60477



ALL DIMENSIONS ARE GIVEN IN INCHES, UNLESS OTHERWISE SPECIFIED.  
DIMENSIONAL TOLERANCES ARE:  
(.X) (.XXX) ± .010 (0.3)  
(.XX) ± .03 (0.8) ANGLES

DRAWING FILENAME  
M01945AG\_DC\_00B.prt  
SCALE  
NONE

DRAWN BY  
MC

REVIEW DRAWING NUMBERS

PART NO.  
FAP12W\*\*SC  
FAP12W\*\*SCZ

DATE  
09-02-04

SEE NOTES

DRAWING NO.  
01945-17  
SIZE  
A

REV	DATE	BY	CHK	DESCRIPTION	ECN	R	CUST	SUP	OTH	CHK'D
01	01-29-09	EFK		RELEASED TO PRODUCTION	01945-17					TMS