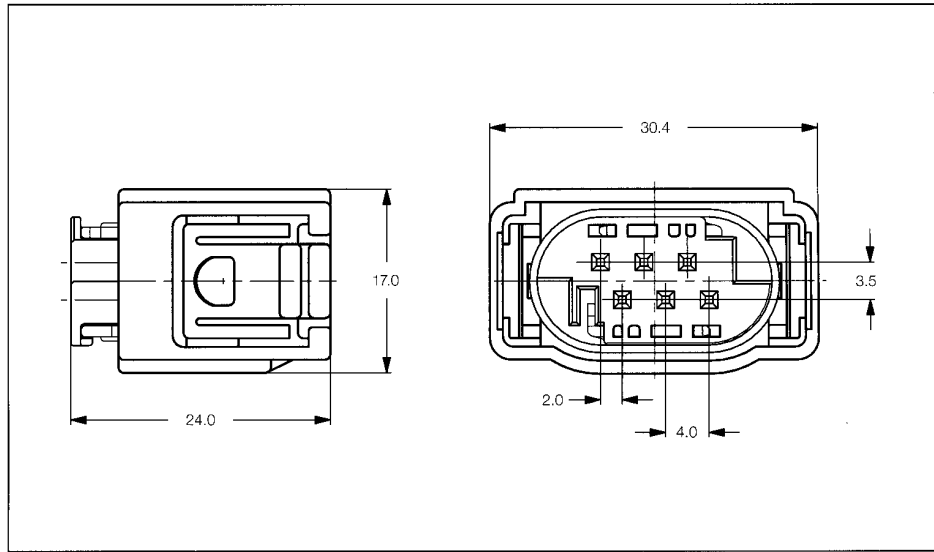


Receptacle Housings

Technical Features

- No. of Positions:**
6 Positions
- Housing Material:**
PBT GF15
- Wire Size Range:**
0.75 mm² Max.
- Product Specification:**
108-18272-0
- Application Specification:**
114-18061



6 Position Receptacle Housings

No. of Pos.	Keying Options	Housing Color	Part Numbers						
			Receptacle Housing	Cover	Locking Device	Cover and Lever	Retainer Housing	Mating Tab Housing	Mating PCB Header Right-Angle Vertical
6	A	Black	1-967616-1						
	A	Black	1-967616-2						
	B	Grey	2-967616-1	-	-	-	-	967587	-
	C	Blue	3-967616-1						