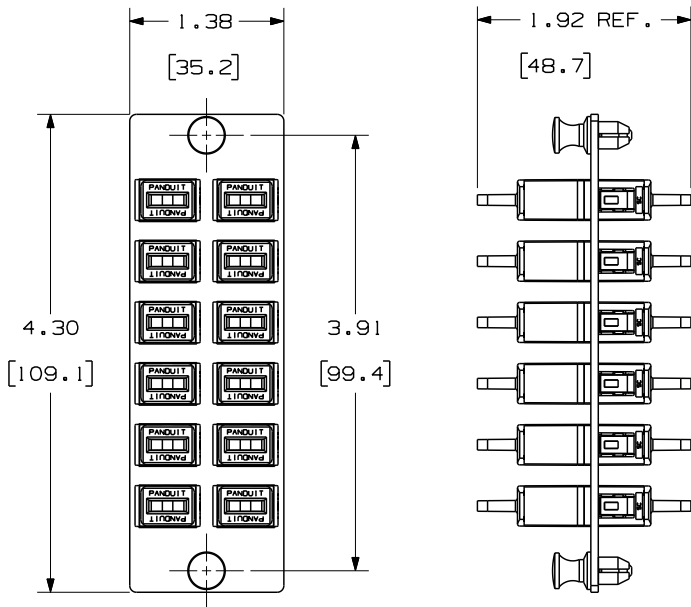
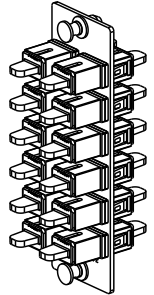



THIS COPY IS PROVIDED ON A RESTRICTED BASIS AND IS NOT TO BE USED IN ANY WAY DETRIMENTAL TO THE INTERESTS OF PANDUIT CORP.



PANDUIT P/N	ADAPTER COLOR	SPLIT SLEEVE TYPE
FAP12WE1SC	ELECTRIC IVORY	PHOS BRONZE
FAP12WBLSC	BLACK	PHOS BRONZE
FAP12WBUSCZ	BLUE	ZIRCONIA
FAP12WAGSCZ	APC GREEN	ZIRCONIA

- NOTES:
- SEE CURRENT CATALOG FOR PART NUMBER SUFFIXES TO INDICATE COLOR AND/OR PACKAGE QUANTITIES.
 - SEE CATALOG FOR COMPLETE LIST OF PARTS APPLICABLE FOR USE WITH THIS PRODUCT.
 - MATERIALS:
 - PLATE: C.R.S. POWDER COATED
 - ADAPTER: COMPOSITE
 - SPLIT SLEEVE: SEE TABLE
 - DIMENSIONS IN BRACKETS ARE METRIC.



REV	DATE	BY	CHK	DESCRIPTION	ECN	R	CUST	SUP	OTH	CHK'D	12 POSITION SIMPLEX SC FIBER ADAPTER PANEL CUSTOMER DRAWING		
01	01-29-09	EFK		RELEASED TO PRODUCTION	01945-17						 PANDUIT ™ CORP. TINLEY PARK, ILL 60477	ALL DIMENSIONS ARE GIVEN IN INCHES. UNLESS OTHERWISE SPECIFIED, DIMENSIONAL TOLERANCES ARE: (.X) (.XXX) ± .010 (.0.3) (.XX) ± .03 (.0.8) ANGLES	DRAWING FILENAME M01945AG_DC_00B.prt SCALE NONE
												DRAWING NO. 01945-17	PART NO. FAP12W**SC FAP12W**SCZ SIZE A
											DRAWING FILENAME M01945AG_DC_00B.prt SCALE NONE PART NO. FAP12W**SC FAP12W**SCZ DRAWING NO. 01945-17 SIZE A	SEE NOTES	