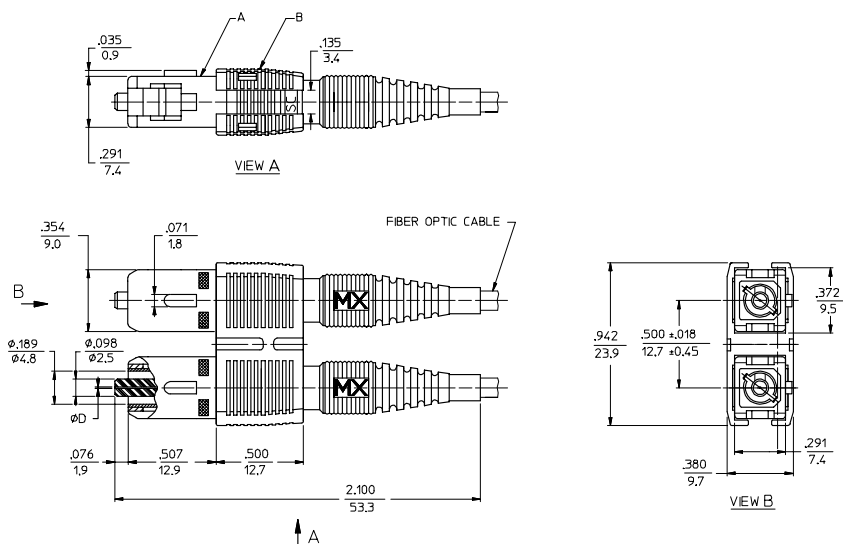


CONNECTOR P/N	φD mm	MATERIAL OF FERRULE	COLOR OF HOUSING A	COLOR OF HOUSING B	COLOR OF BOOT	CONNECTOR TYPE	CABLE OD mm
86066-0000	.127	ZIRCONIA	BEIGE	BEIGE	BEIGE	MULTIMODE	3
86066-0300			BLACK	BLACK	BLACK		2.4
86066-0070			BLACK	BLACK	BLACK		3
86066-0370			BLACK	BLACK	BLACK		2.4
86066-0080			RED	RED	RED		3
86066-0380			RED	RED	RED		2.4
86066-2000	.1255	ZIRCONIA	BLUE	BLUE	BLUE	SINGLE MODE	3
86066-2300			BLUE	BLUE	BLUE		2.4
86066-2080			RED	RED	RED		3
86066-2380	RED	RED	RED	2.4			
86066-3000	.128	ZIRCONIA	BEIGE	BEIGE	BEIGE	MULTIMODE	3
86066-3300			BLACK	BLACK	BLACK		2.4
86066-3070			BLACK	BLACK	BLACK		3
86066-3370			BLACK	BLACK	BLACK		2.4
86066-3080			RED	RED	RED		3
86066-3380			RED	RED	RED		2.4
86066-4000	.125	ZIRCONIA	BLUE	BLUE	BLUE	SINGLE MODE	3
86066-4300			BLUE	BLUE	BLUE		2.4
86066-5000			BLUE	BLUE	BLUE		3
86066-5001	.126	ZIRCONIA	RED	RED	RED	SINGLE MODE	2.4
86066-5300			RED	RED	RED		3
86066-5080			RED	RED	RED		2.4
86066-5380			RED	RED	RED		3
86066-7000	.127	ZIRCONIA	BLUE	BLUE	BLUE	SINGLE MODE	3
86066-7300			BLUE	BLUE	BLUE		2.4



NOTES:
 1. ALL DIMENSIONS ARE GIVEN IN INCHES.
 2. DUST CAPS ARE NOT SHOWN.
 *3. P/N 86066-5001 IS BULK PACKED.

EC NO: MF2005-0700 DRAWN BY: H. DRINKWITZNER CHKD: 700506/13 APPR: GUMIN 700506/14 REV DESCRIPTION	QUALITY SYMBOLS	GENERAL TOLERANCES (UNLESS SPECIFIED)	DIMENSION STYLE IN/MM	SCALE 4:1	DESIGN UNITS INCH	THIRD ANGLE PROJECTION
	▽=0	4 PLACES ± --- ± ---	DRAWN BY NG DATE 3.27.01	TITLE SC-D TYPE CONNECTOR		
	▽=0	3 PLACES ± --- ± ---	CHECKED BY ILG DATE 3.27.01	MATERIAL NO. 86066-XXX0CD		
	▽=0	2 PLACES ± --- ± ---	APPROVED BY SM DATE 4.03.01	DOCUMENT NO. 86066-XXX0CD		
		1 PLACE ± --- ± ---	ANGULAR ±1/2°		SHEET NO. 1 OF 2	
DRAFT WHERE APPLICABLE MUST REMAIN WITHIN DIMENSIONS		SEE TABLE		THIS DRAWING CONTAINS INFORMATION THAT IS PROPRIETARY TO MOLEX INCORPORATED AND SHOULD NOT BE USED WITHOUT WRITTEN PERMISSION		

ib_frame_C_P_ME_T
 Rev. D 2004/04/02